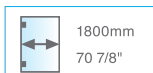
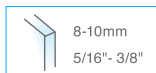


BZQ6



• Kit Hip-zac per box doccia con 2 spalle in vetro da 1200 a 1800mm. Sezione quadrata.

• Kit Hip-zac para box ducha: dos lados en vidrio desde 1200 a 1800mm. Sección cuadrada.

• Hip Zac kit with 2 fixed glass panels 1200-1800mm. Square section.

• Schiebetürsystem Hip Zac mit 2 starren Glasplatten 1200-1800mm. Vierkantschnitt.

• Kit Hip-zac pour cabine de douche avec 2 retours en verre 1200 à 1800mm. Section carrée.

HIP-ZAC system

BZQ6K

composto da / composed of



2 x BZ10Q



1 x BZ51



1 x BZ30Q



1 x BZ60



2 x BZ80Q



2 x BZ70Q

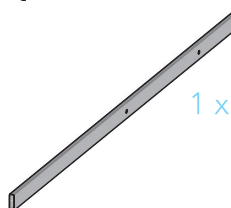
+

BZQK43

composto da / composed of



1 x BZ58



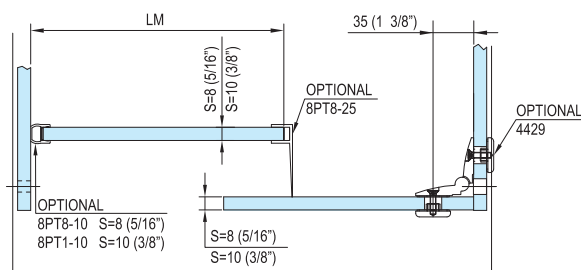
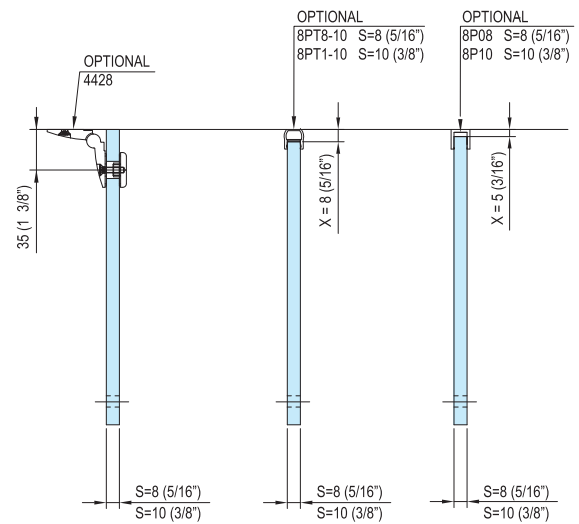
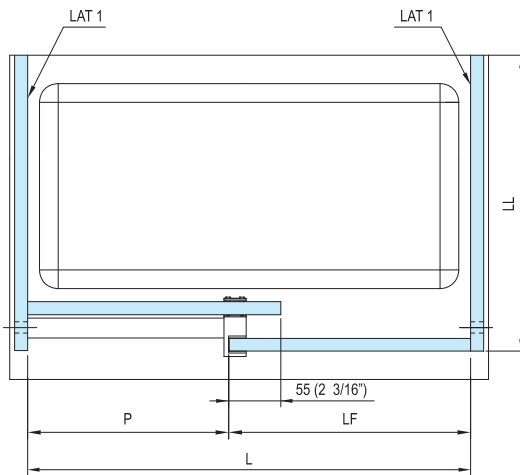
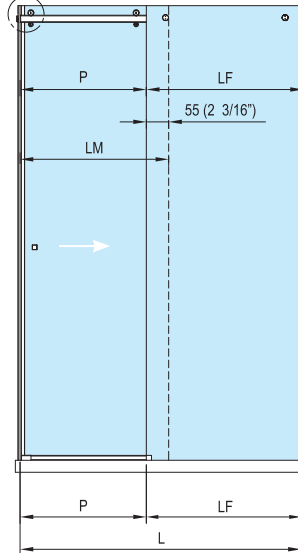
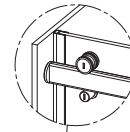
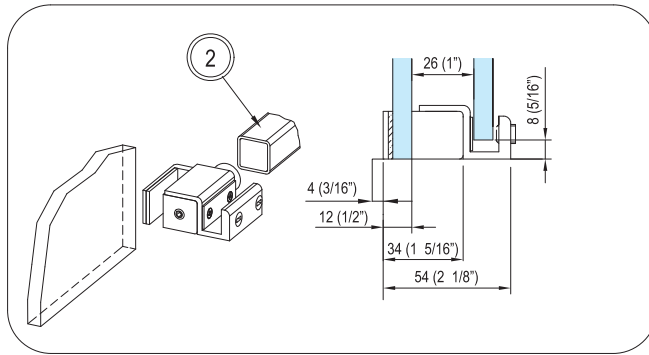
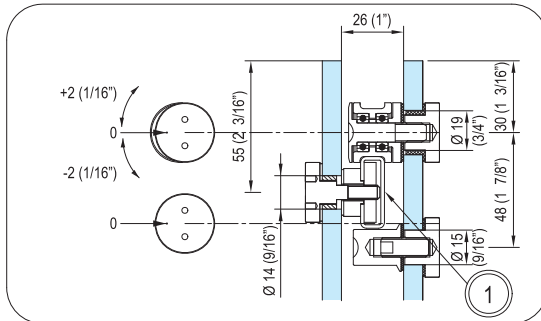
1 x BZ43Q



BZQ6

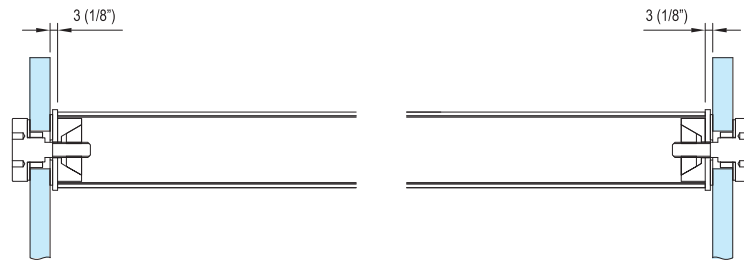
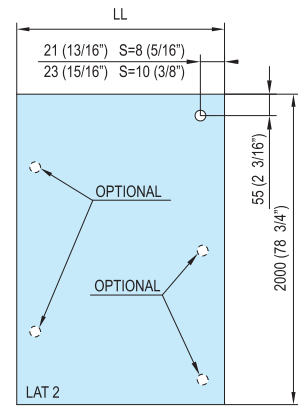
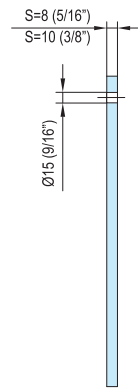
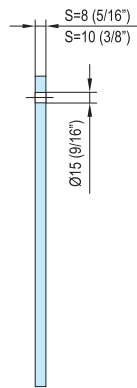
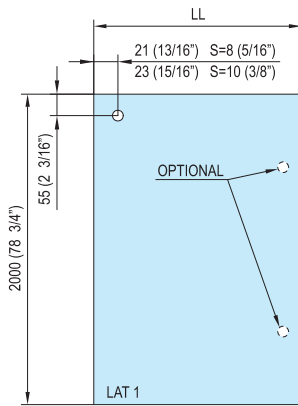
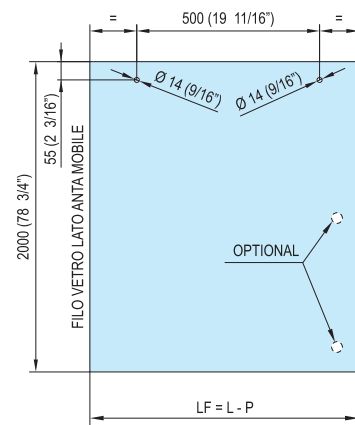
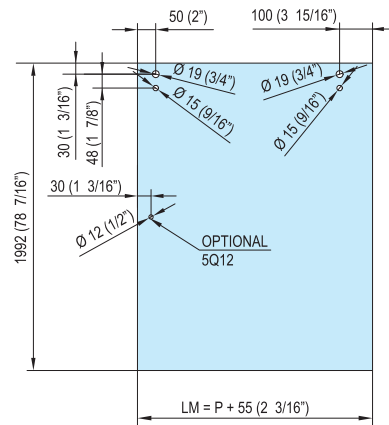
HIP-ZAC system

DATI (Data)	$L = \min 1200 \div \max 1800$	(mm)
DEFINIRE (Define)	$P = \min 450 \div \max (L/2-55)$	(mm)
CALCOLARE (Calculate)	$LM = (P+55)$	(mm)
CALCOLARE (Calculate)	$LF = (L-P)$	(mm)
DEFINIRE (Define)	LL	(mm)

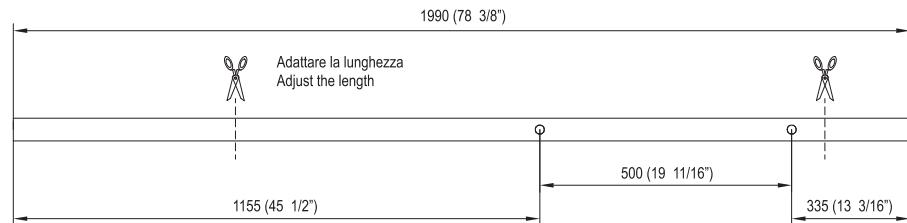


BZQ6

HIP-ZAC system



1 30x10x1,5
(1 3/16" x 3/8" x 1/16")



2 20x20x1,5
(13/16" x 13/16" x 1/16")

