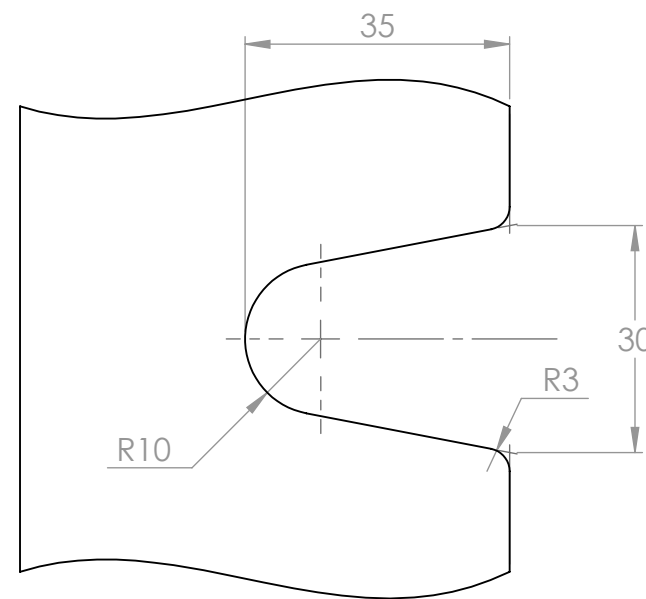
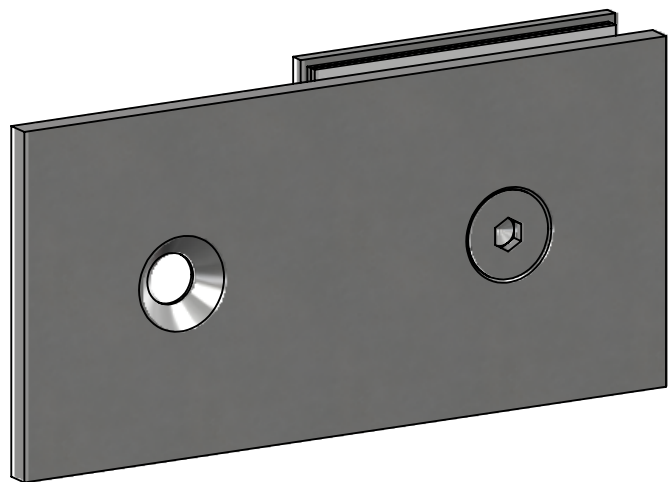
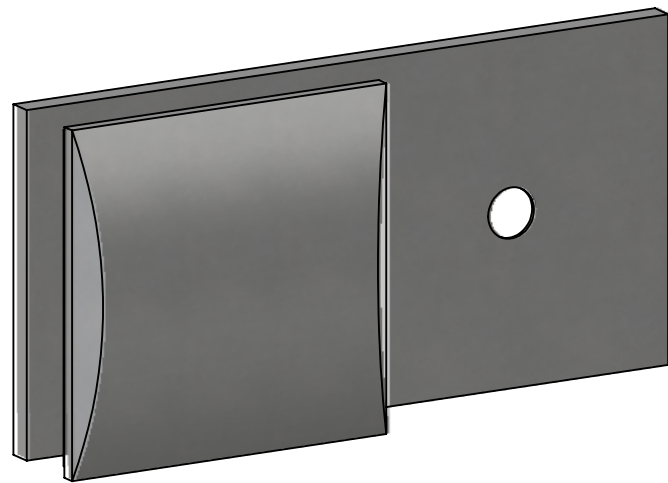
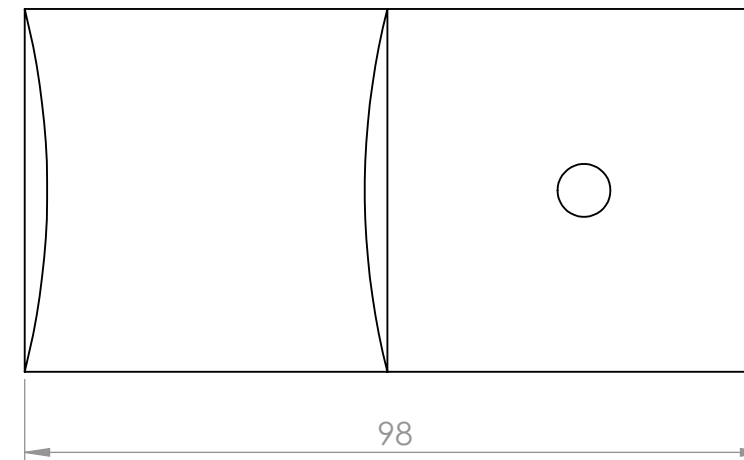
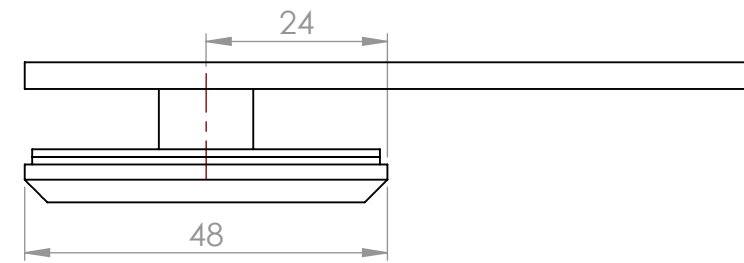
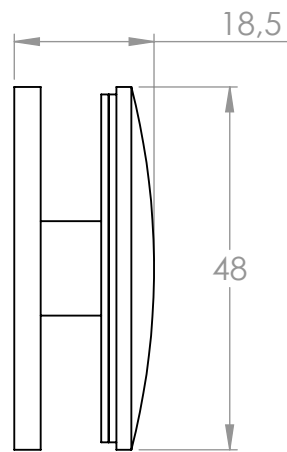
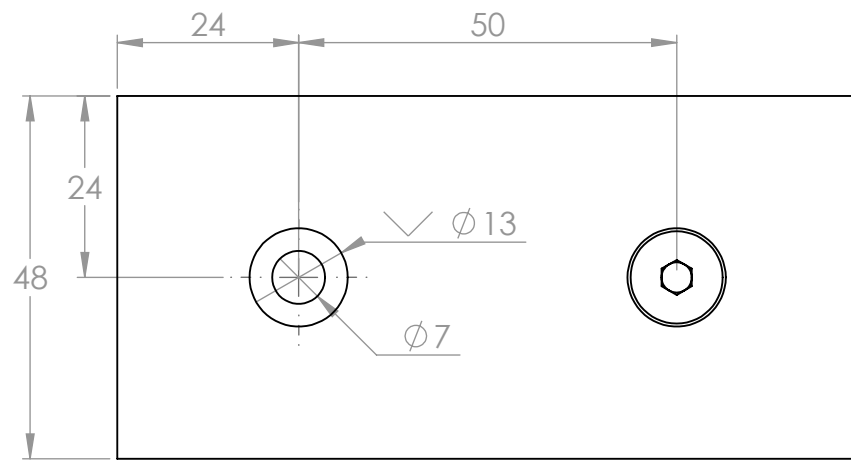
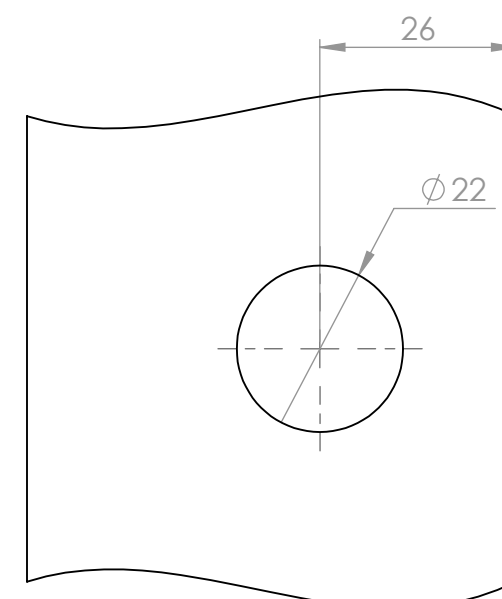


# Minusco Basics



Sparing A



Sparing B

Glasdikte	Sparing
8	B
10	A
12	A

UNLESS OTHERWISE SPECIFIED: DIMENSIONS ARE IN MILLIMETERS GENERAL ROUGHNESS: TOLERANCES: - LINEAR: ± 0.2 mm - ANGULAR:		TREATMENT/FINISH: -	DEBUR AND BREAK SHARP EDGES	DO NOT SCALE DRAWING	REVISION -
DRAWN L. Spruyt		SIGNATURE	DATE 17-6-2013	REMARKS:	
CHK'D		STOCKSIZE:		TITLE: Glass Connector 180°	
APPV'D		AMERIKAANSE PROJECTIE		DWG NO. EF0201.030.xx	
UNITS: MM		MATERIAL:		SCALE: 1:1	
WEIGHT: 695.82 gram		SCALE: 1:1		SHEET 1 OF 1	
				A3	