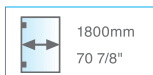


BZQ3



• Kit Hip-zac per box doccia in nicchia da 1200 a 1800mm.
Sezione quadrata.

• Kit Hip-zac para box ducha de nicho desde 1200 a 1800mm.
Sección cuadrada.

• Hip Zac niche kit 1200-1800mm.
Square section.

• Schiebetürsystem Hip Zac für Nische 1200-1800mm. Vierkantschnitt.

• Kit Hip-zac pour cabine de douche en niche de 1200 à 1800mm.
Section carrée.

HIP-ZAC system

BZQ3K composto da / composed of



2 x BZ10Q



1 x BZ51



2 x BZ90Q



1 x BZ60



1 x BZ30Q



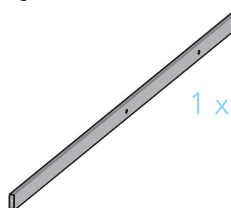
2 x BZ70Q

+

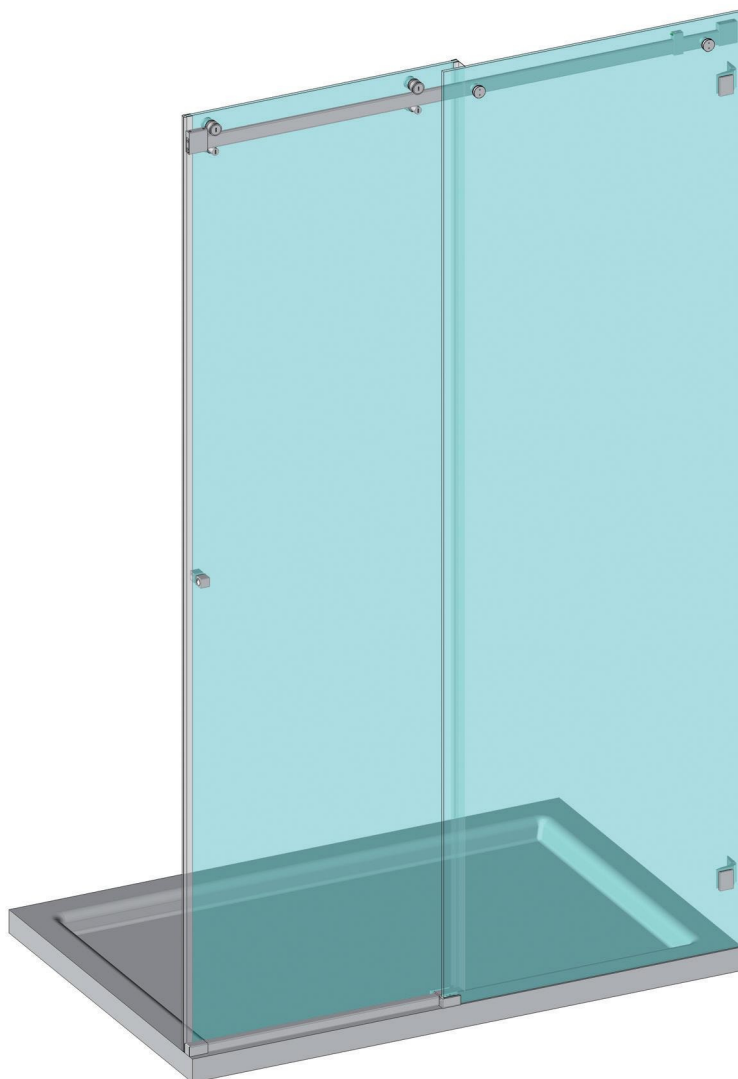
BZQK43 composto da / composed of



1 x BZ58



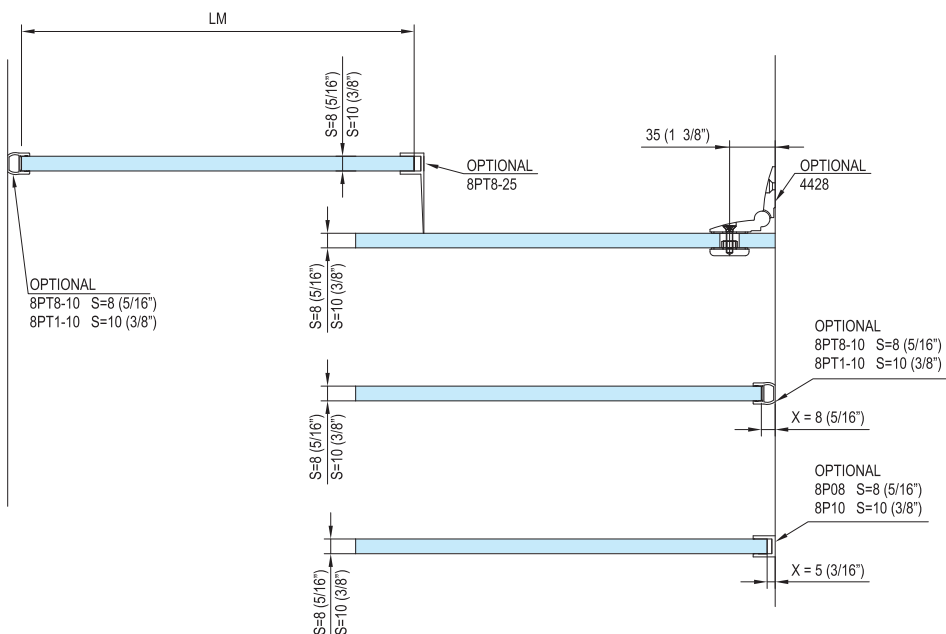
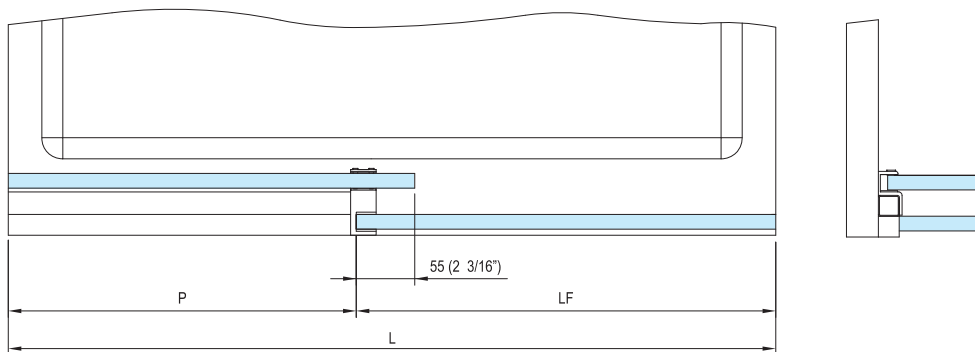
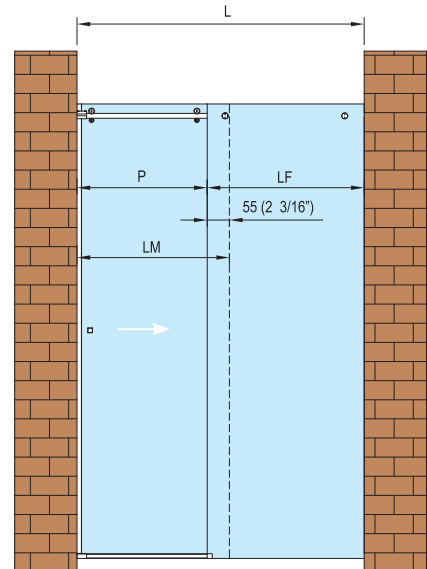
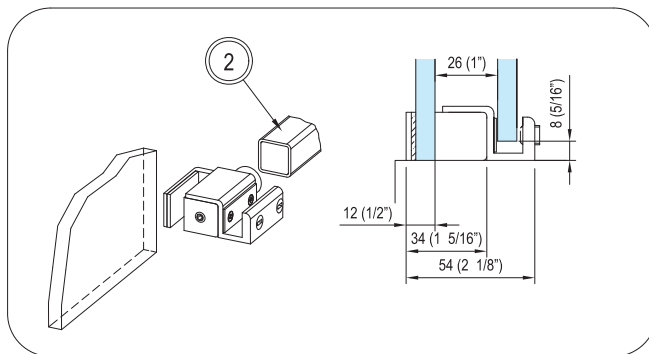
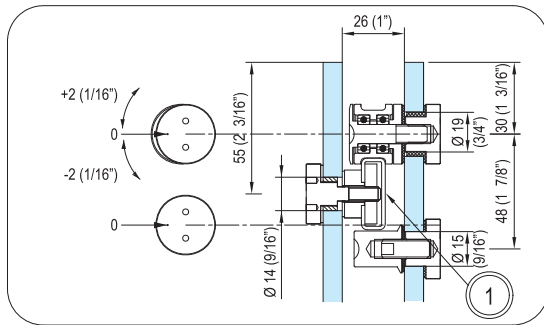
1 x BZ43Q



BZQ3

HIP-ZAC system

DATI (Data)	L = min 1200 ÷ max 1800	(mm)
DEFINIRE (Define)	P = min 450 ÷ max (L/2-55)	(mm)
CALCOLARE (Calculate)	LM = (P+55)	(mm)
CALCOLARE (Calculate)	LF = (L-P)	(mm)



BZQ3

HIP-ZAC system

