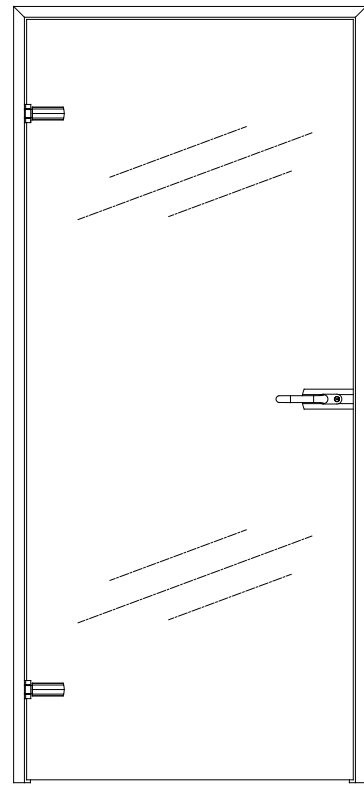
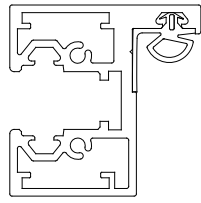
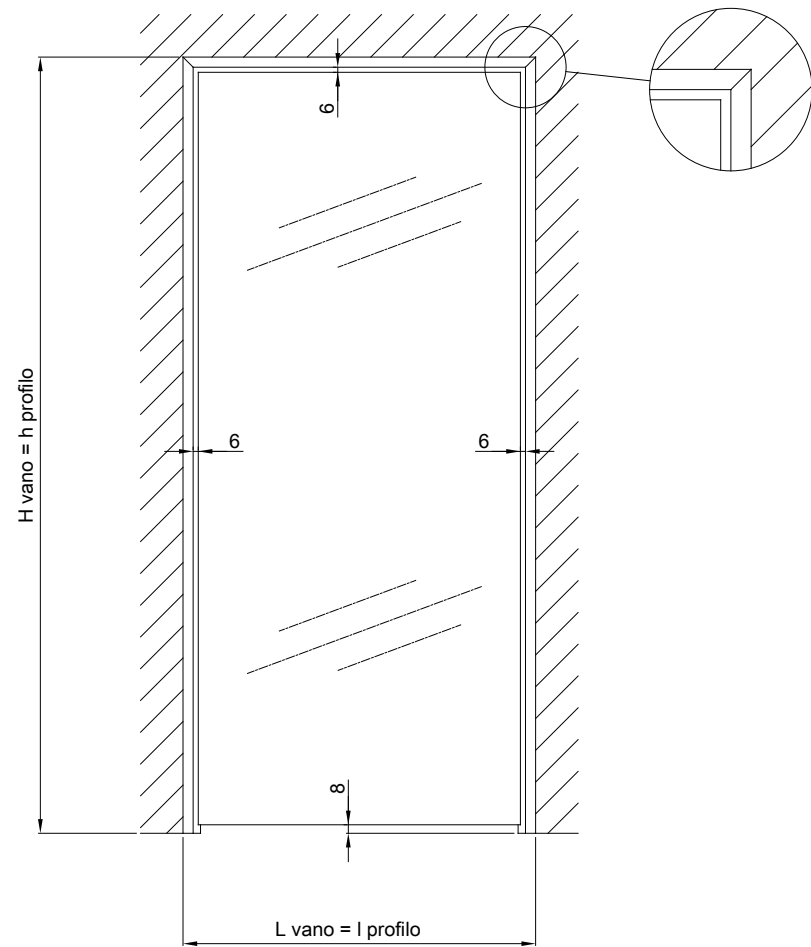


P30W

A



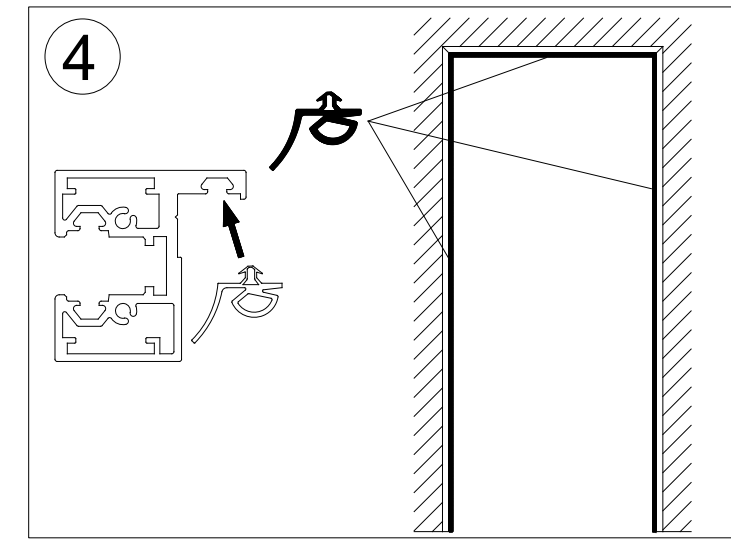
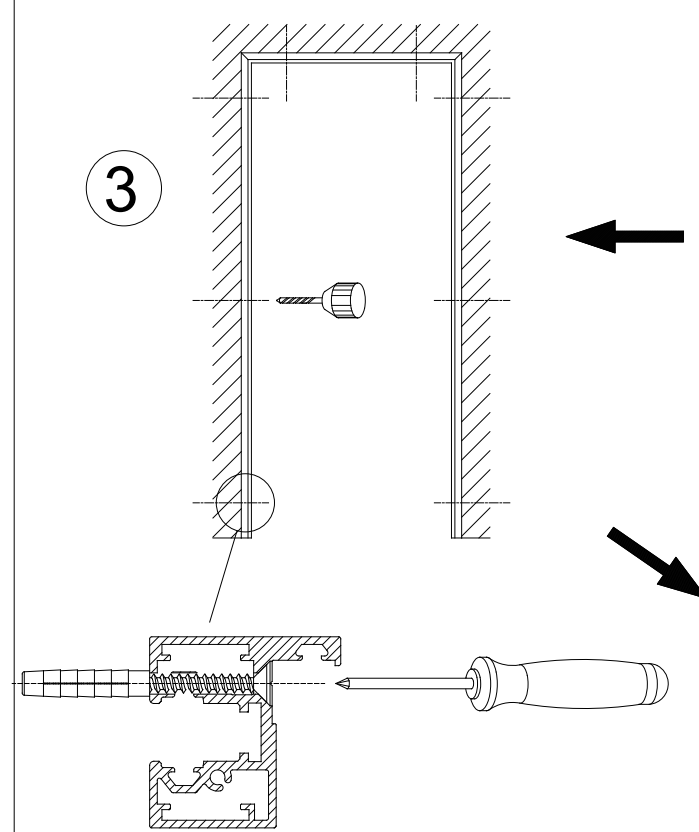
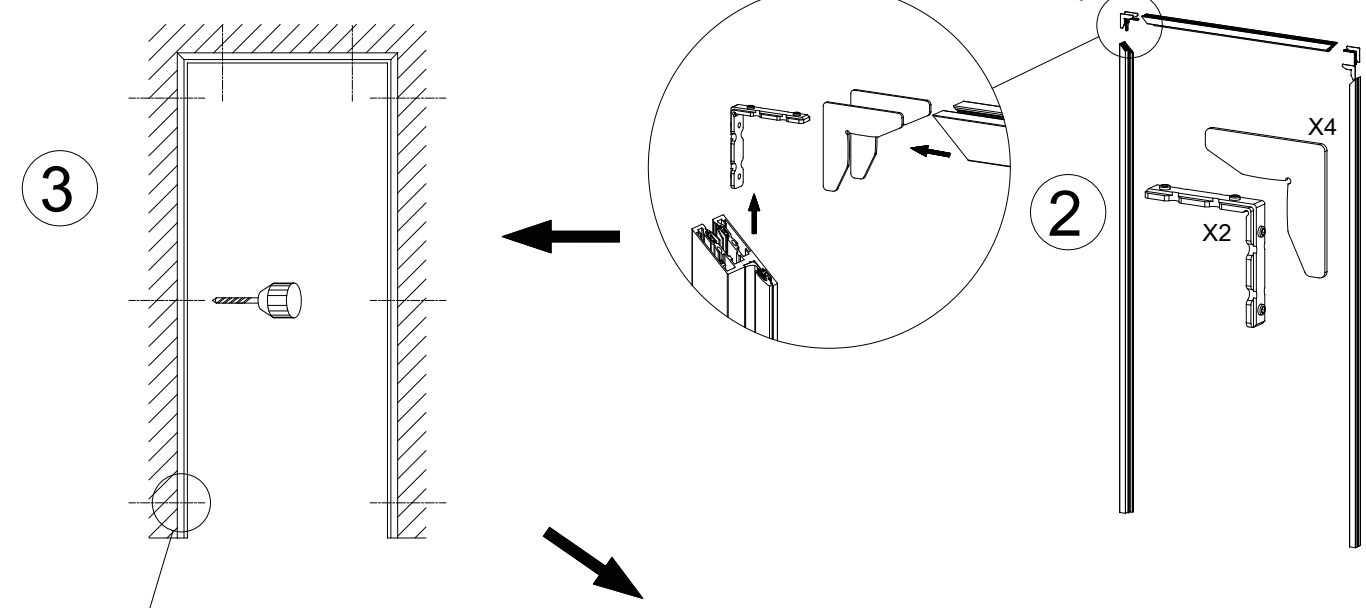
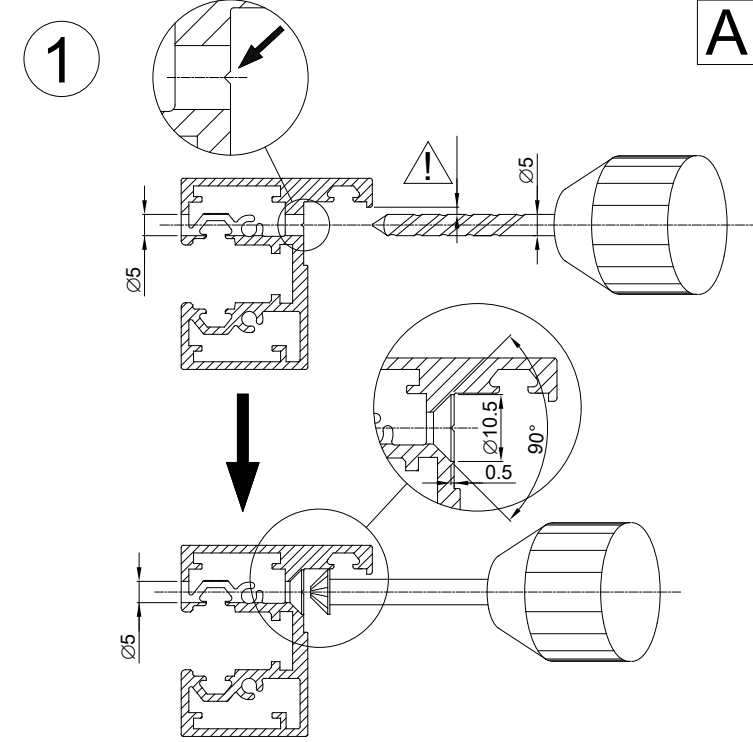
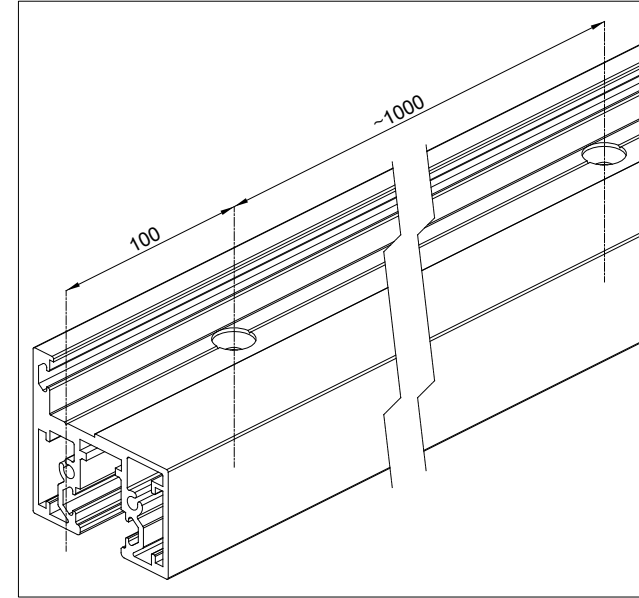
DIMENSIONAMENTO PROFILO – EVALUAR EL PERFIL
DIMENSIONING OF PROFILE – PROFILABMESSUNGEN



XC-IM-P30W

P30W

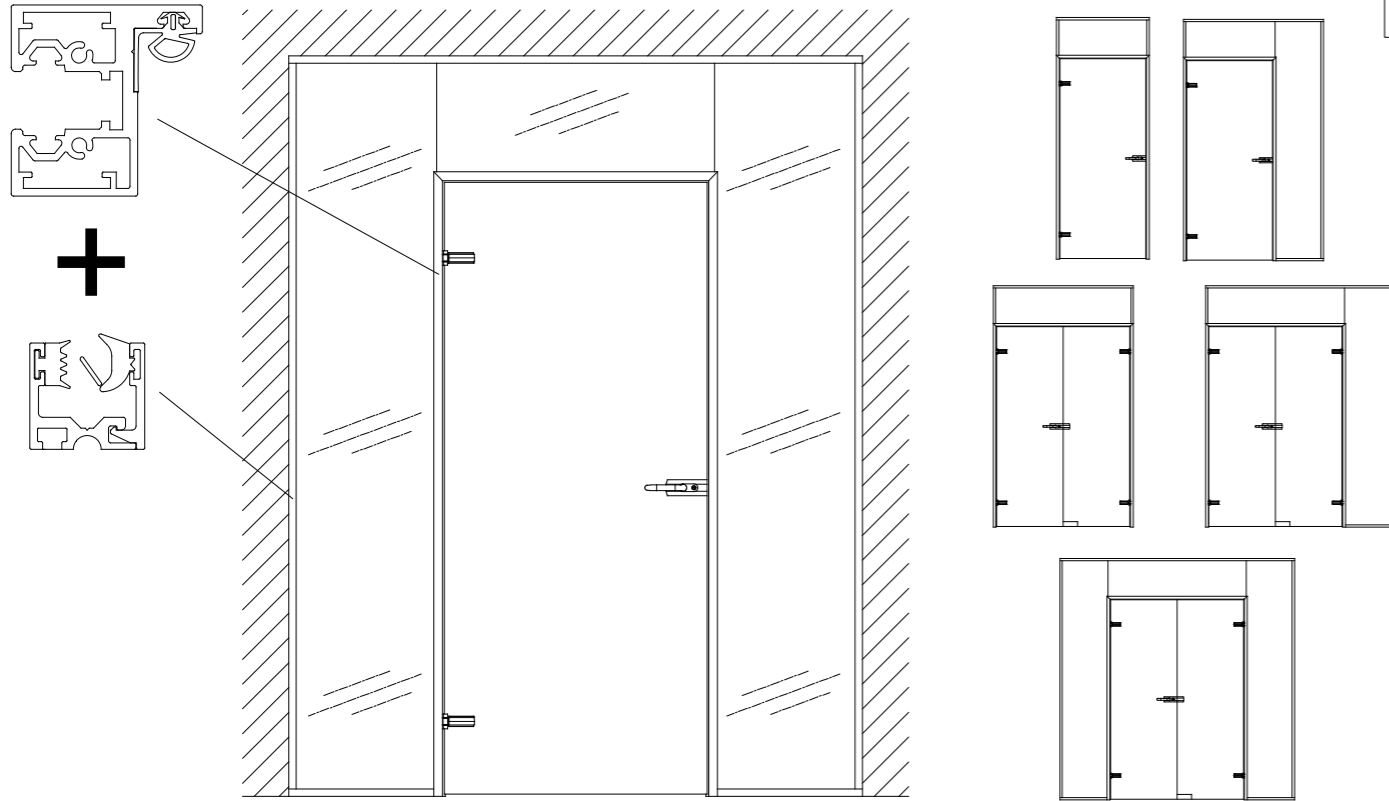
A



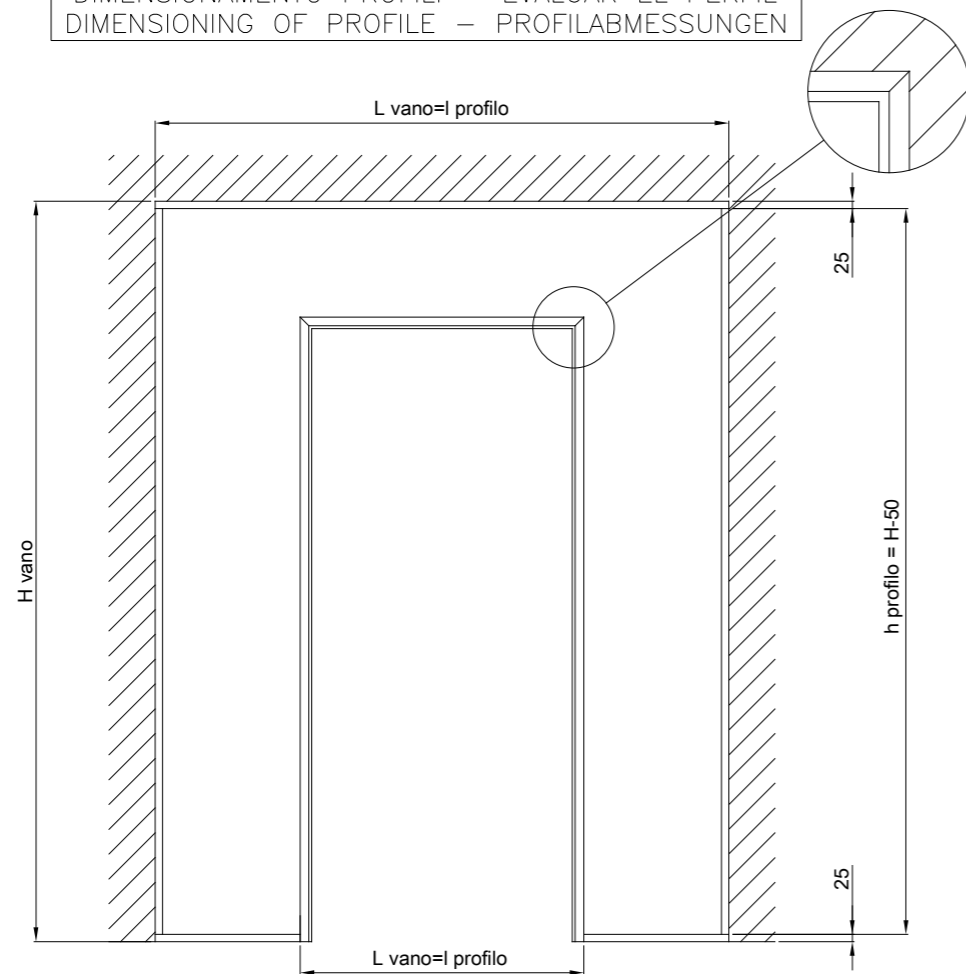
XC-IM-P30W

P30W

B



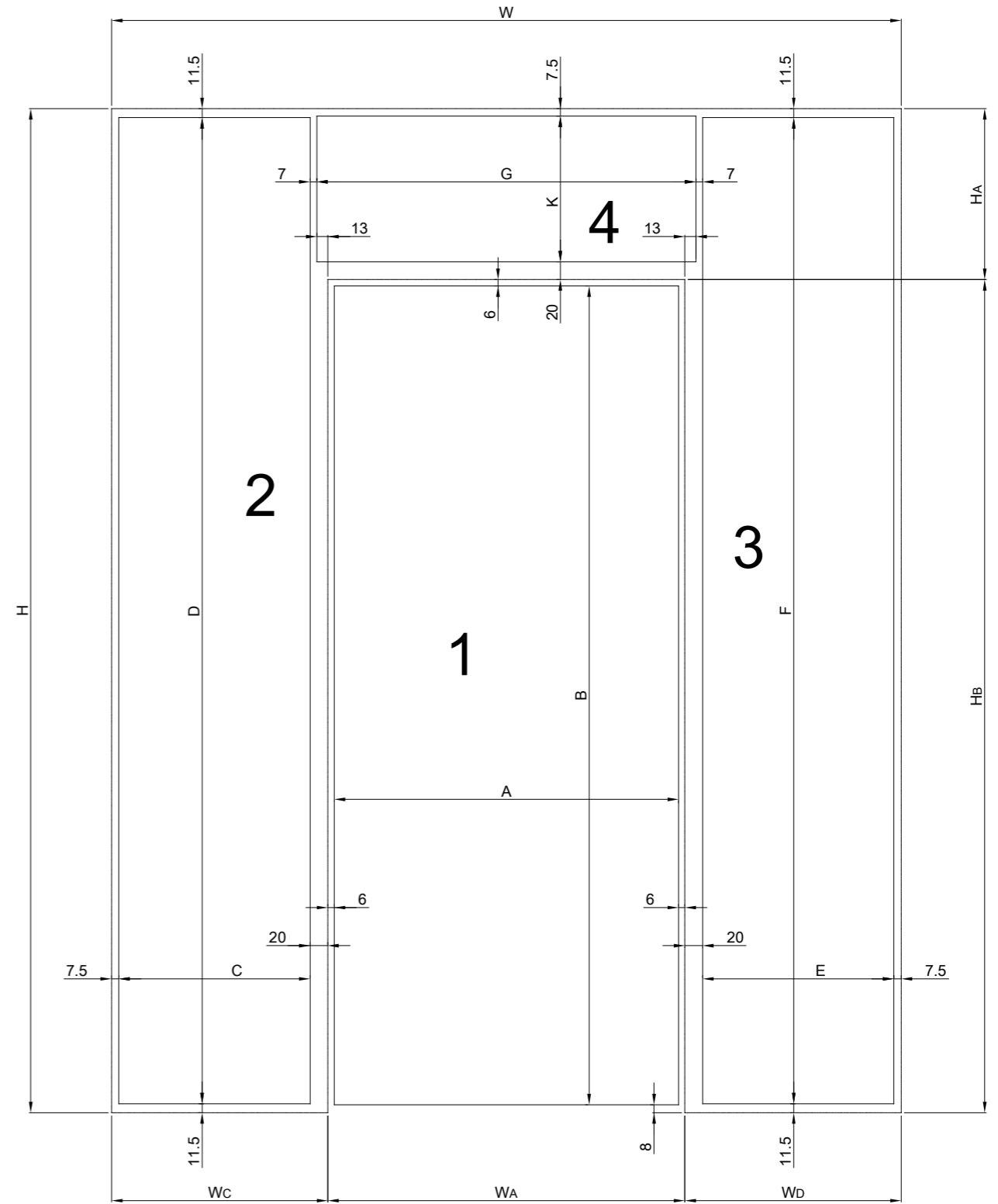
DIMENSIONAMENTO PROFILI - EVALUAR EL PERFIL
DIMENSIONING OF PROFILE - PROFILABMESSUNGEN



XC-IM-P30W

P30W

B



2. $C = W_C - 27.5 \text{ mm}$
 $D = H - 27 \text{ mm}^*$

1. $A = W_A - 12 \text{ mm}$
 $B = H_B - 14 \text{ mm}$

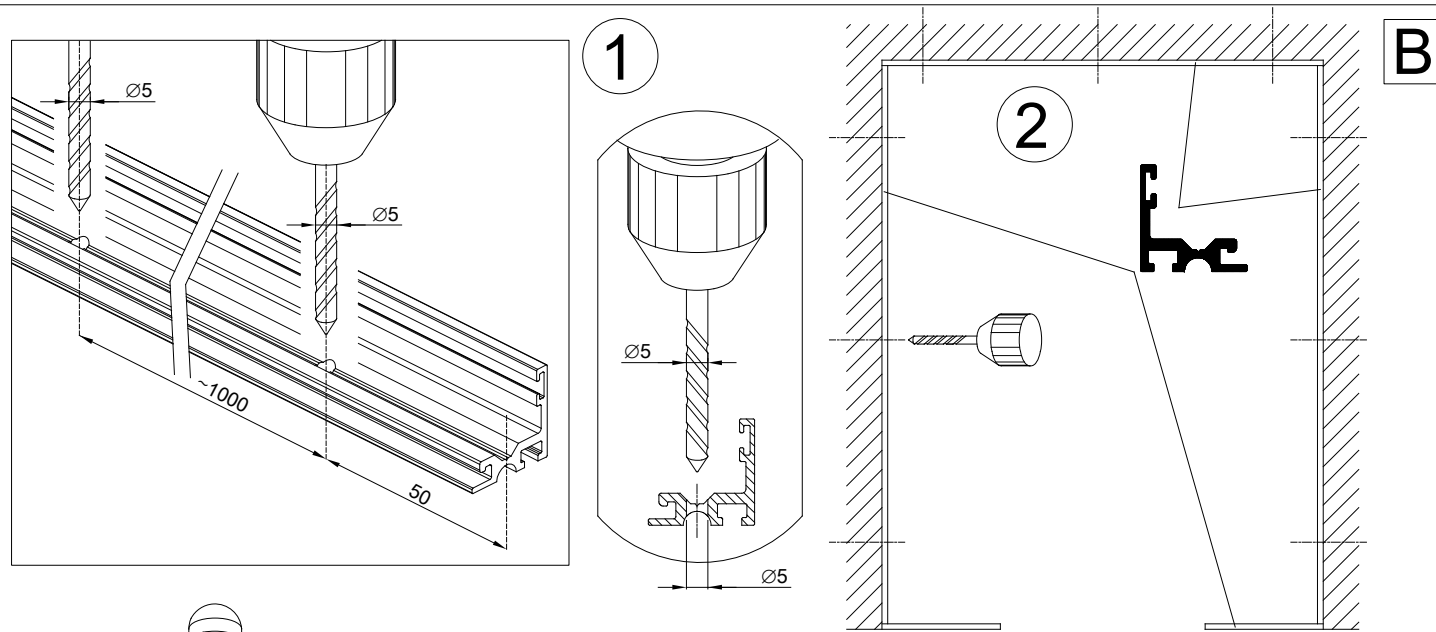
3. $E = W_D - 27.5 \text{ mm}$
 $F = H - 27 \text{ mm}^*$

4. $G = W_A + 26 \text{ mm}$
 $K = H_A - 27.5 \text{ mm}$

*When using the P20 profile

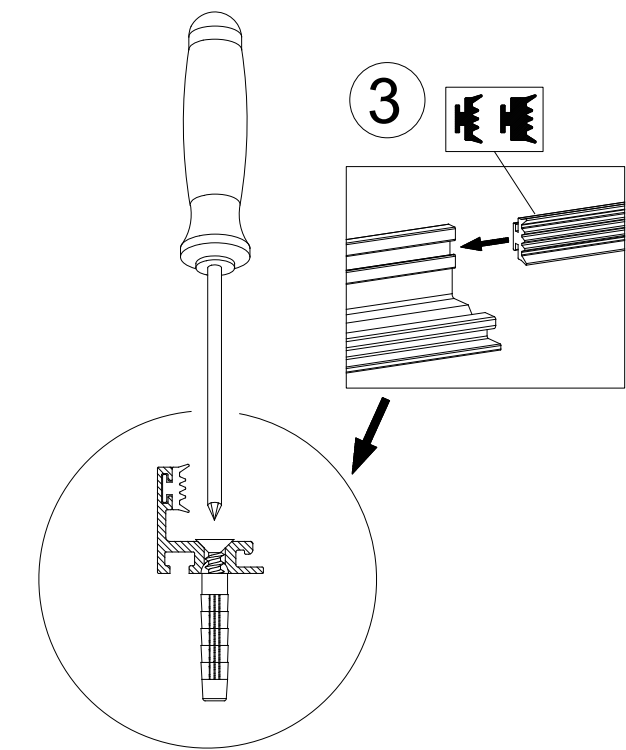
XC-IM-P30W

P30W

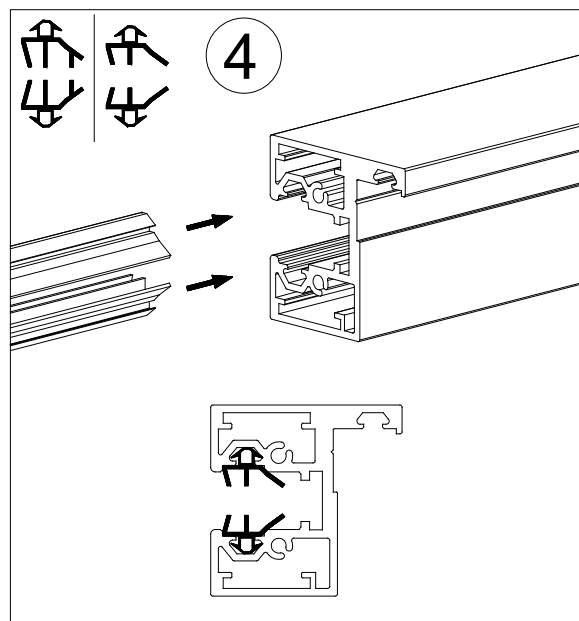


1

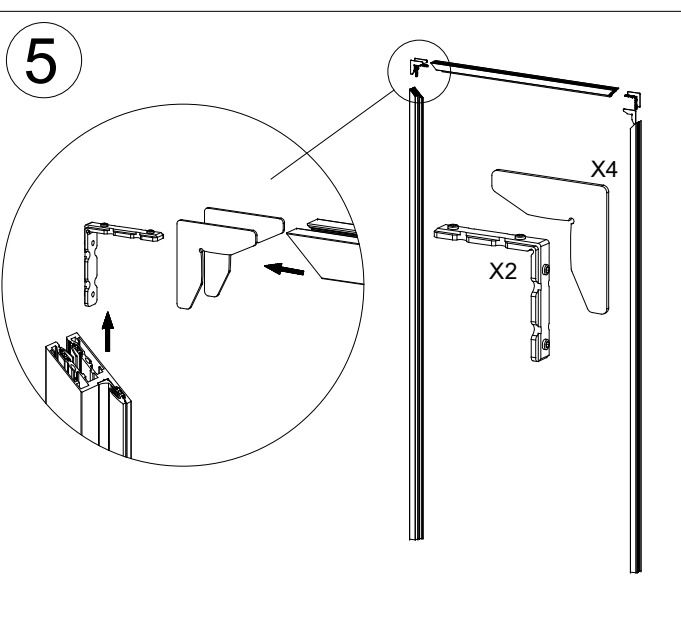
B



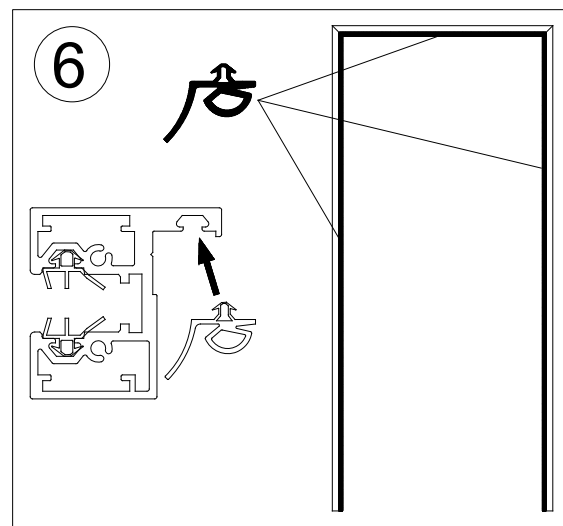
3



4



5



6

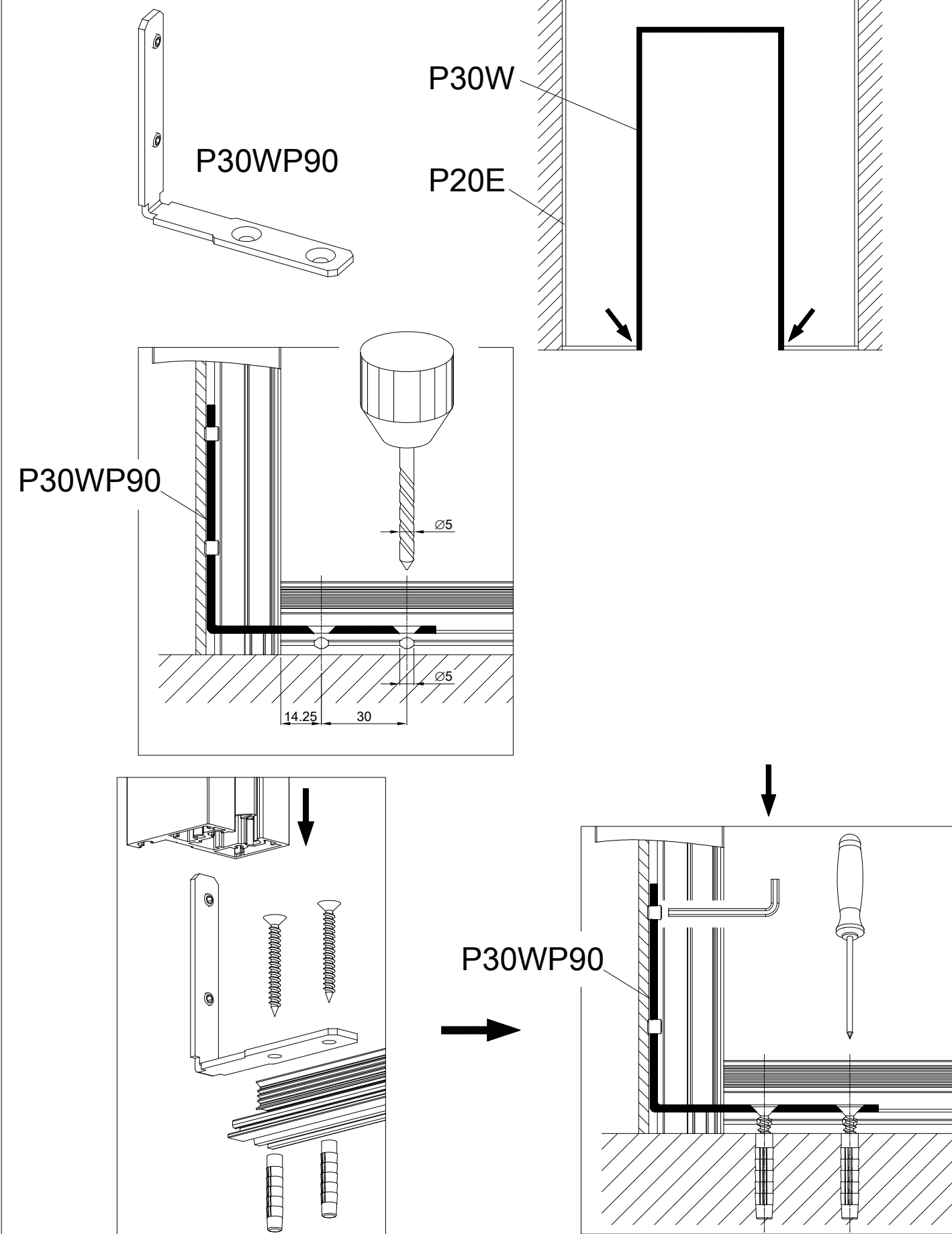
XC-IM-P30W

P30W

7

FISSARE P30W CON P20E
FIXING P30W WITH P20E

B



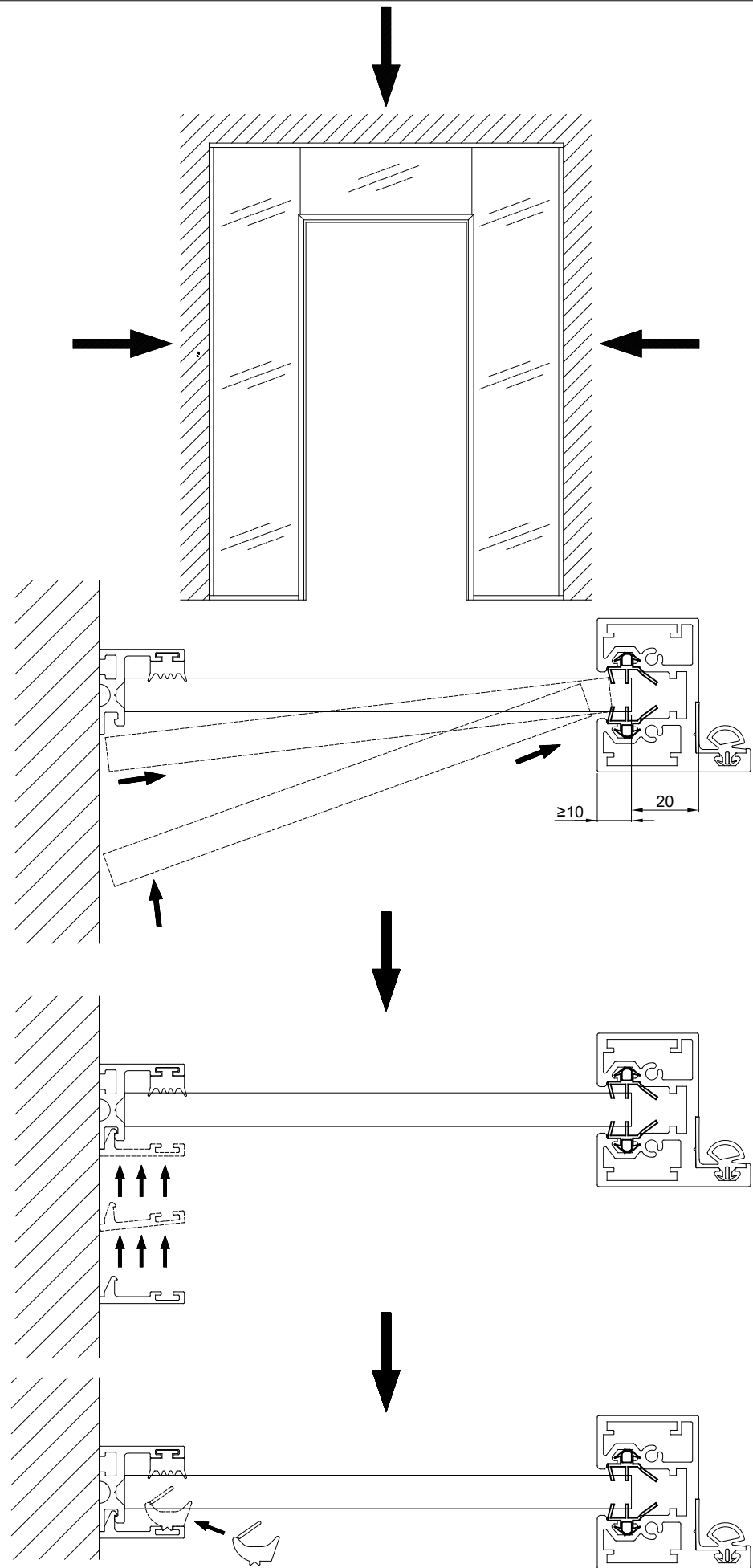
P30WP90

XC-IM-P30W

P30W

8

B



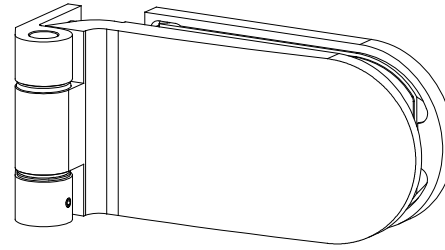
XC-IM-P30W

P30W

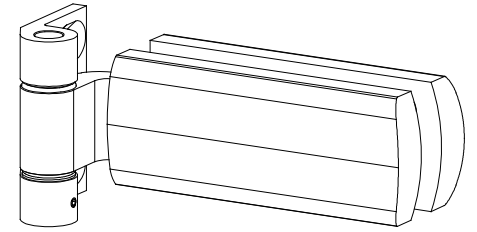
NOT INCLUDED

A B

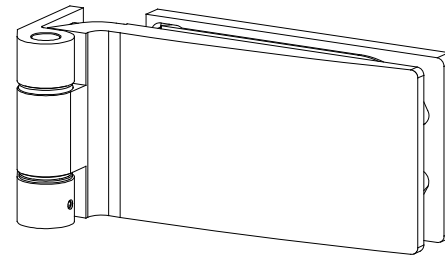
8664P



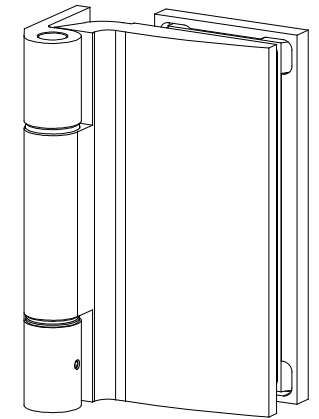
8810P



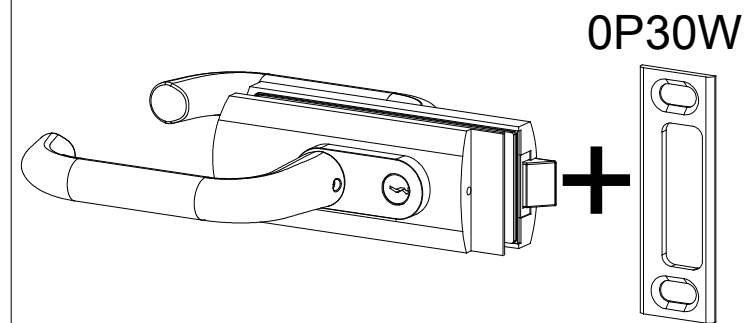
8665P



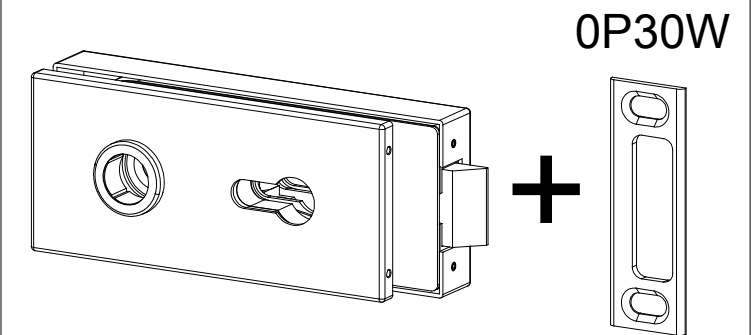
8674P



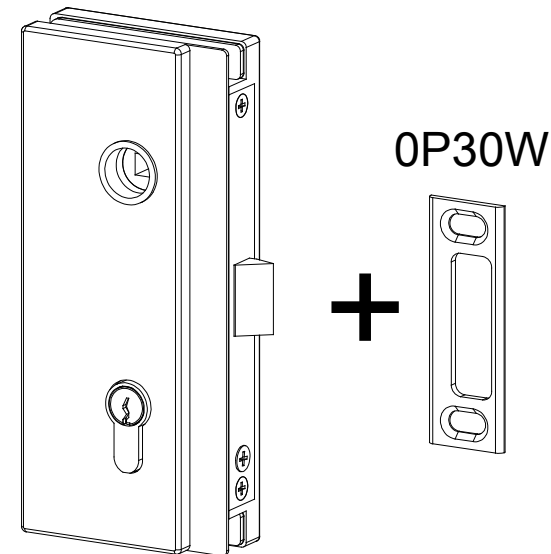
FLEXA



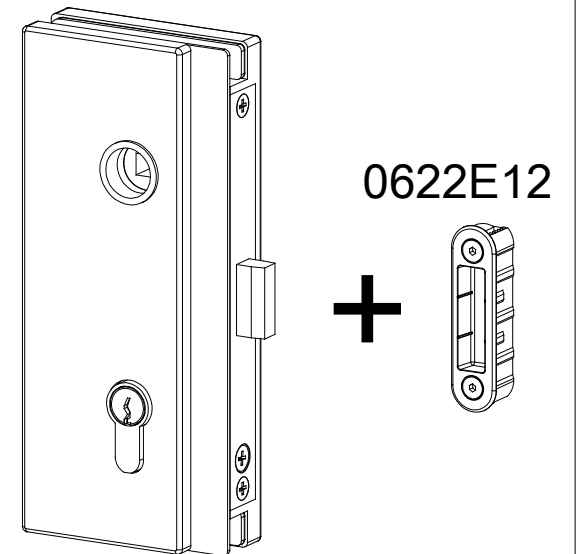
LOQ



620E10



622E10



XC-IM-P30W