

R 1001

Designation : swivel fitting, countersunk head

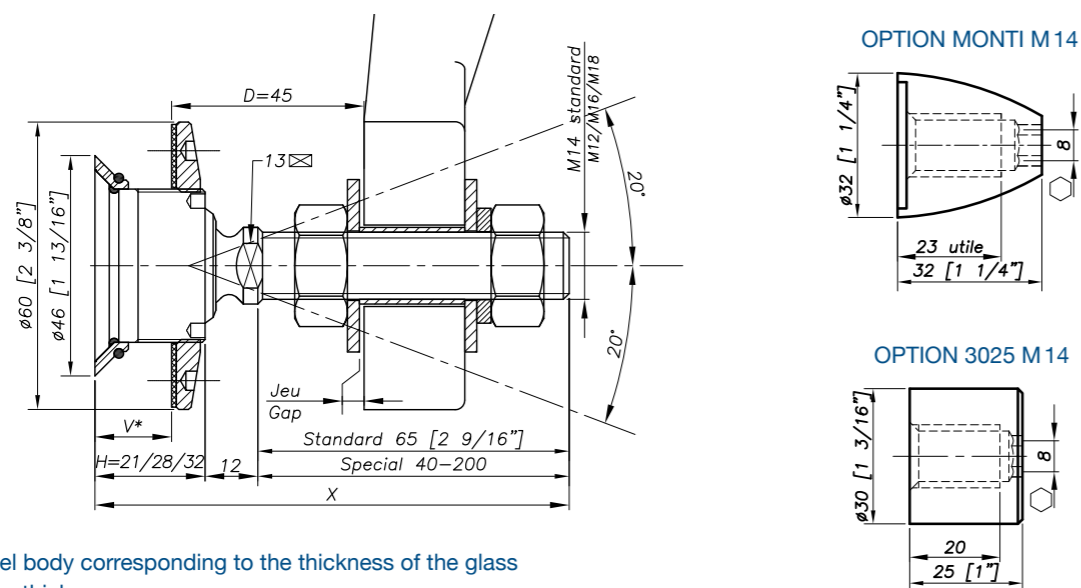


| REFERENCE TO ORDER | | | |
|--------------------|---------|------------------|------------------|
| GLASS THICKNESS | Ø AXIS | LENGTH AXIS (mm) | ARTICLE CODE |
| 8 ≤ V ≤ 15 | M14 | 65 | R1001-0815-1465* |
| 15 < V ≤ 22 | M14 | 65 | R1001-1522-1465 |
| 22 < V ≤ 26 | M14 | 65 | R1001-2226-1465 |
| SPECIAL | SPECIAL | SPECIAL | R1001-V-SP |

Patent No: 9806556
 Technical assessment available online: www.sadev.com
 Sealing strip between glazing available p.8.26

* R1001-0815-1465 : model - Glass Thickness - type axis and length.
 Seismic swivel fitting optional.

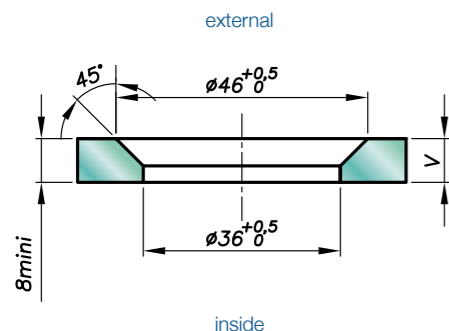
Dimensions



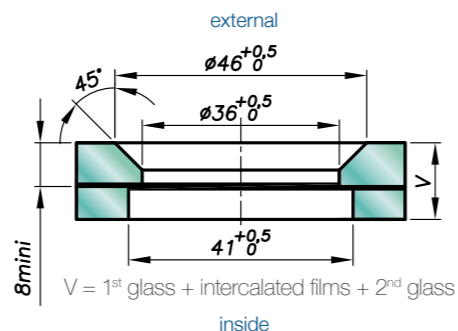
H = Swivel body corresponding to the thickness of the glass
 V* = glass thickness

Glass drilling

MONOLITHIC GLASS



LAMINATED GLASS

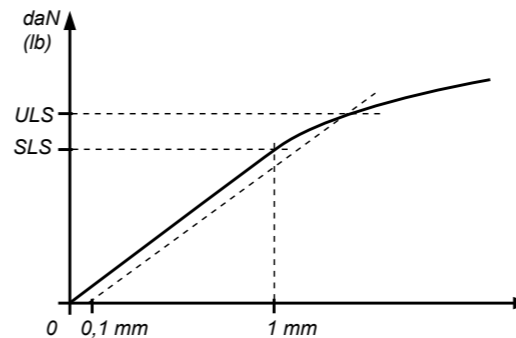


Available for glass thicknesses from 8 to 31.52 mm, for other thicknesses please consult us.

It is important to provide the following information with each request: the glass composition (ex.: 10 mm monolithic, 8.8.4 laminated, 8.8.2-12-10 insulating) / the length and diameter of the threaded axle if not standard dimensions (M14, 65 mm) / the reference of the spider to be used as support, or the thickness of an existing support for the delivery of the spacer.

R 1001

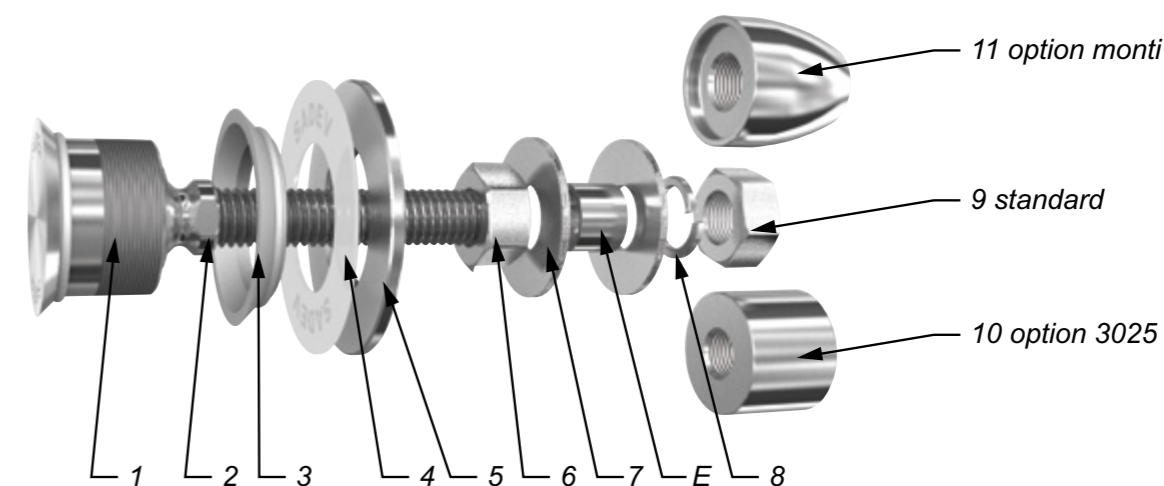
Mechanical performance



| | BENDING CAPACITY | | | PULL OUT CAPACITY |
|------|------------------|-------------------|-------------------|--------------------|
| | D | SLS* | ULS* | ULS* |
| M 14 | 45mm | 344 daN (773 lb) | 577 daN (1297 lb) | 2000 daN (4496 lb) |
| | 60mm | 153 daN (343 lb) | 364 daN (818 lb) | |
| M16 | 45mm | 504 daN (1133 lb) | 827 daN (1859 lb) | |
| | 60mm | 253 daN (568 lb) | 525 daN (1180 lb) | |

*SLS - Serviceability Limit State: load at 1mm deformation
 *ULS = Ultimate Limit State: load at the elastic limit (Rp0.1).
 Values are given without factor of safety.
 Tests available online: www.sadev.com

Components



| MARK | QUANTITY | DESIGNATION | MATERIAL |
|------|----------|-------------------------|---------------------------------------|
| 1 | 1 | Swivel body | X2 Cr Ni Mo 17.12.2 as per EN 10088-3 |
| 2 | 1 | Threaded Axle | X4 Cr Ni Mo 16.5.1 as per EN 10088-3 |
| 3 | 1 | Glass Hole Grommet | AW-1050A as per EN 573-3 / Al 99.5% |
| 4 | 1 | Contact washer | White polyacetyl / white polyethylene |
| 5 | 1 | Glass Nut Ø60 | X2 Cr Ni Mo 17.12.2 as per EN 10088-3 |
| 6 | 1 | Nut DIN 934 | A4 |
| 7 | 2 | Washer | A4 |
| 8 | 1 | Lock Lock washer DIN127 | A4 |
| 9 | 1 | Nut DIN 934 | A4 |
| 10 | 1 | 3025 Cap Nut - Option | X2 Cr Ni Mo 17.12.2 as per EN 10088-3 |
| 11 | 1 | Monti Cap Nut - Option | X2 Cr Ni Mo 17.12.2 as per EN 10088-3 |

Suggested mounting instruction

Insert parts N° 1/2 and 3 into the glass.

Mount contact washer N° 4 and nut N° 5 and tighten to 20Nm (15 ft-lb) for monolithic glass and 10Nm (7.5 ft-lb) for laminated glass using SADEV tools Mark. 097581160 and Mark. CLE-DYN-072031. Mount nut N° 6 and washer N° 7.

Insert the threaded axle into the support with spacer E (available on request), see technical page. Adjust the depth. Mount washer N° 7, lock washer N° 8, and nut N° 9. Tighten to 60Nm (45 ft-lb) using a 22 mm wrench.

SADEV recommends using thread locking compound whenever possible.