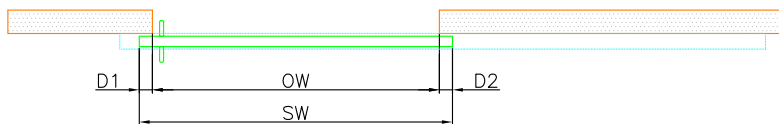
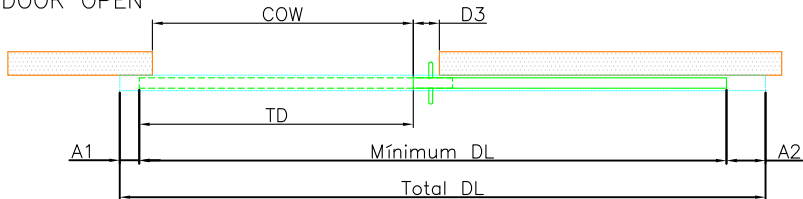


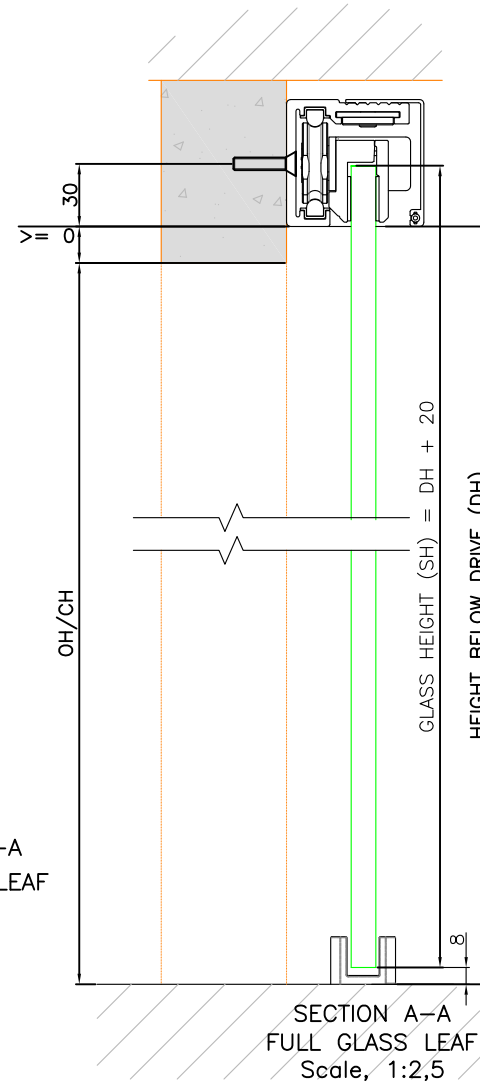
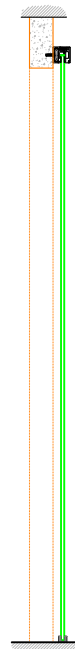
SECTION B-B  
DOOR CLOSED



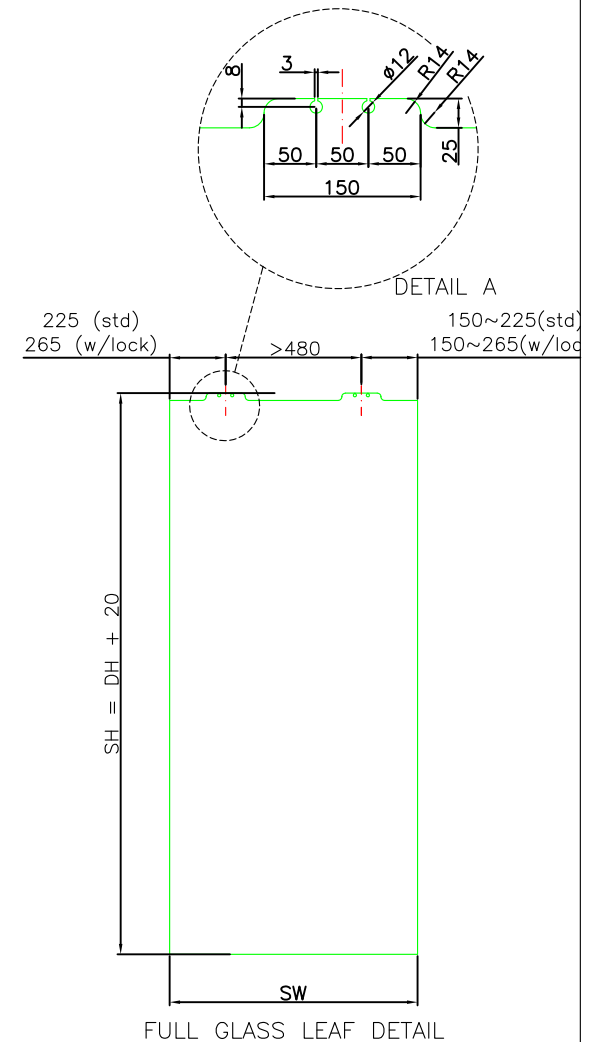
SECTION B-B  
DOOR OPEN



SECTION A-A  
FULL GLASS LEAF



SECTION A-A  
FULL GLASS LEAF  
Scale, 1:2,5



FULL GLASS LEAF DETAIL

LEGEND	
Total DL	Total drive length
Minimum DL	Minimum drive length
OW / COW	Opening Width / Clear Opening Width
TD	Travelling distance
SW	Sliding door width
OH/CH	Opening height/Clear height
SH	Sliding door height
D1/D2	Overlap 1 / Overlap 2
A1/A2	Header extension 1 / Header extension 2
DH	Height below Drive

Drawing number:	Description:			To be checked <input type="checkbox"/> General tolerances as per EN-ISO 2768-mk Property of Linear Motor Applications, S.L. Reproduction without permission is forbidden
83431006	EvoDrive operator - Single sliding door with full glass leaf			
Type of drawing:	Version:	Project:	Client:	
	0	000	0	
Material:	Finish:	Projected by:	Drawn by:	Verified by:
		Oriol Guillera	Noèlia Serrano	Oriol Guillera
		09.01.2018	09.01.2018	09.01.2018
				Scale:
				1:20
				A4

