

SWIMSIDE®

THE SAFETY

IN ALL
TRANSPARENCY



WHY INSTALLING A GLASS POOL BARRIER ?

Experts recommend the use of a glass barrier as “the best way to protect young children”.

Indeed, their great transparency allows a visual surveillance without activation of a security system.
Once installed, these protections remain in place.

An almost inexistent maintenance !

The **materials used are anti-corrosion and durable and do not integrate any mechanical system.**
For example, roller shutters or alarms require regular and thorough maintenance and generally do not last more than 2 years.

Glass a design and transparent solution !

The great advantage of glass is that it allows you to enjoy a 360° view while letting in natural light.

But it also allows you to protect your privacy by opting for glass with more or less opacity.

What about cleaning?

Many manufacturers offer self-cleaning lenses.

GLASS REMAINS THE MOST SUITABLE SOLUTION!

Numerous European and worldwide laws regulate the safety of swimming pools.

In France, a security system is an obligation, as in many other countries.

This legislation applies to pools :

- Open-air, in-ground, or semi in-ground
- For family use or for collective use reserved for residents
- As well as pools installed in a lodge or a hotel.

WHY CHOOSING OUR SWIMSIDE® RANGE ?

First of all for our know-how in the field of glass barriers.

Our SABCO range, which now has more than 10 years of innovation, is one of the major systems in the glass railing market.

Our products are renowned for having the best quality/price/performance ratio!

The performance of our SWIMSIDE products.

It's an essential point in the development of our glass barrier systems. They are tested by certified organizations to guarantee resistance and even more but remain compact!



For its attractive price!

Contrary to what you might think, our systems are financially very interesting compared to other solutions.

For example, for a pool of 4 x 12 m, a SWIMSIDE barrier is not more expensive than a roller shutter with security and alarm.

Your investment is long-lasting!

The materials we use as well as the quality of manufacture of our products make them durable systems that do not require any maintenance costs.

As for the installation, it remains as simple as ever!

Our patented wedges are easy to install and allow an adjustment of the glass level while tightening them.

Installation is easy and fast, with perfect glass alignment!

+ or -
15 mm



Protection is not just a concept for us, it is also a commitment!

We favour short circuits.

80% of our production is made in France and in Europe using recycled materials for recyclable products.



Packaging
& product recyclable

How to install the pool protection barrier system ?



27-28

DISCOVER OUR
PRODUCTS

SWIMSIDE®



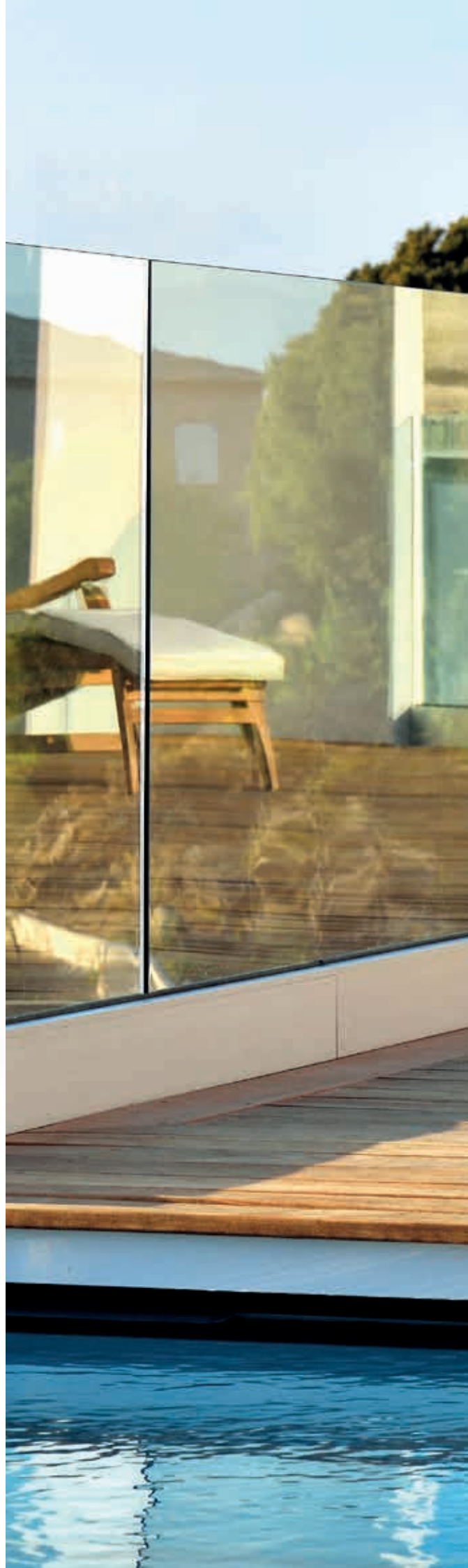
SWIMSIDE **RAIL**



SADEV **INO**



SADEV **INO SQUARE**







SWIMSIDE RAIL

INSTALL IT FITS! READY TO ENJOY



It retains all the advantages of our SABCO system:

- Quick installation
- Glass adjustment during installation. While being thinner!

DURABILITY & PERFORMANCE

It's a real barrier!

It keeps pond water clean and protects from wind. It is made of sustainable and anti-corrosion materials.

Its performance allows it to withstand heavy loads.

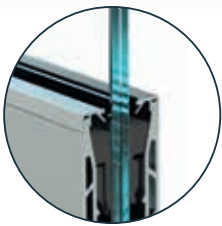
CUSTOMIZATION

This product is available in several finishes and different colors upon request.

You can also offer the possibility to extend the evenings with the LED option!

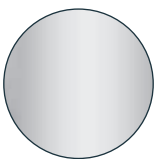






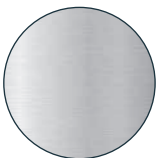
CLADDING

The shape of this cover avoids having a support point (foot-hold).



ALUMINUM

Corrosion resistant.
(code : 01)



BRUSH FINISH

High resistance to corrosion.
(code : 02)



RAL FINISH

(code : 03)

Ⓐ RAIL SWIMSIDE
Ref. **0080RAIL50**

TECHNICAL FEATURES

Length	2 500 mm
Width	52 mm
Profile height	110 or 130 mm depending on the cladding.
Materials	Aluminium - Haute protection Anodisation 25 µm
Application type	Private/public pool protection barriers
Mounting type	Floor mounting
Glass thickness	8 to 12.76 mm

Height of the glass

The standard recommends that the minimum height between the top of the support point (foot-hold) and the top of the barrier (in this case the glass) should always be greater than or equal to 1100 mm. The height of the glass can therefore vary according to the chosen cover. (Information to be found on page 11).

Number of wedges

4 per meter

Finishes

Natural anodized aluminum, brushed stainless steel effect (on request), RAL (on request).

Profile connexion

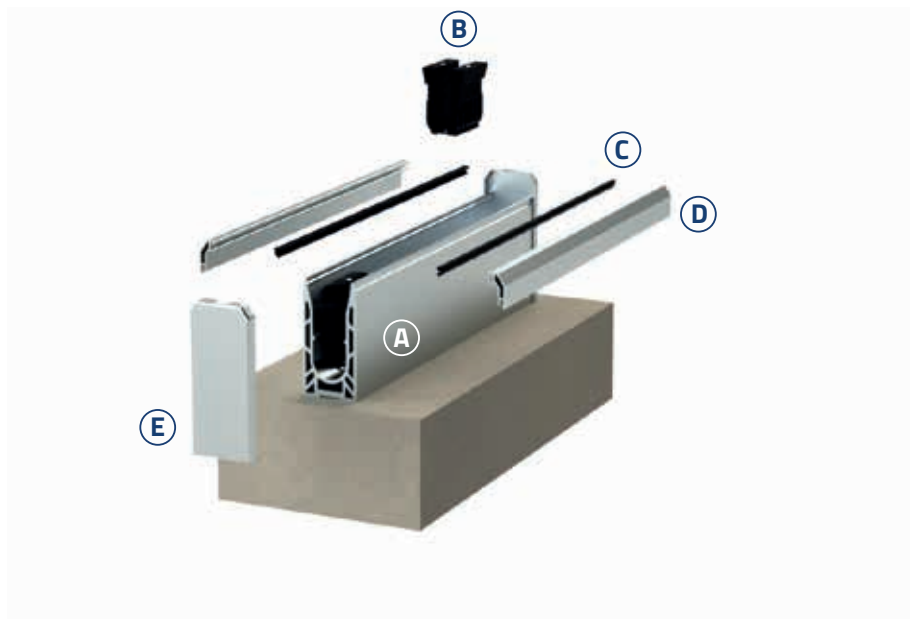
Every 400 mm (pre-drilled every 200 mm for easy installation and cutting of the rail).

CERTIFICATIONS

Complies with the French and international standard.

When ordering, please specify the finish you wish to obtain on your product:

e.g.: kit **0080RAIL50**
with a RAL finish **03**
= **0080RAIL50-03.**



B WEDGES



Glasses: 4.4/2 or 8 mm
Glass thickness : 8 > 8.76
Ref.: 0080KIT10CALE0404



Glasses: 5.5/2 or 10 mm
Glass thickness: 10 > 10.76
Ref.: 0080KIT10CALE0505



Glasses: 6.6/2 ou 12 mm
Glass thickness: 12 > 12.76
Ref.: 0080KIT10CALE0606

C SW GASKET



PRESS-IN GASKET

Ref.: 0080JOINT0404 - (Glass: 04.04)

Ref.: 0080JOINT0505 - (Glass: 05.05)

Ref.: 0080JOINT0606 - (Glass: 06.06)

E END CAPS



Ref.: 0080CE52-01 - Length: 2.5 m
**(CLADDING COMPATIBLE
0080CAPO252-01)**



Ref.: 0080CE50-01 - Length: 2.5 m
**(CLADDING COMPATIBLE
0080CAPO250-01)**



**(CLADDING COMPATIBLE
0080CAPO260-01)**



D CLADDINGS



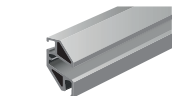
HIGH CLADDING

Ref.: 0080CAPO250-01 - Length: 2.5 m
Height: 30 mm



HIGH CLADDING

Ref.: 0080CAPO252-01 - Length: 2.5 m
Height: 10 mm

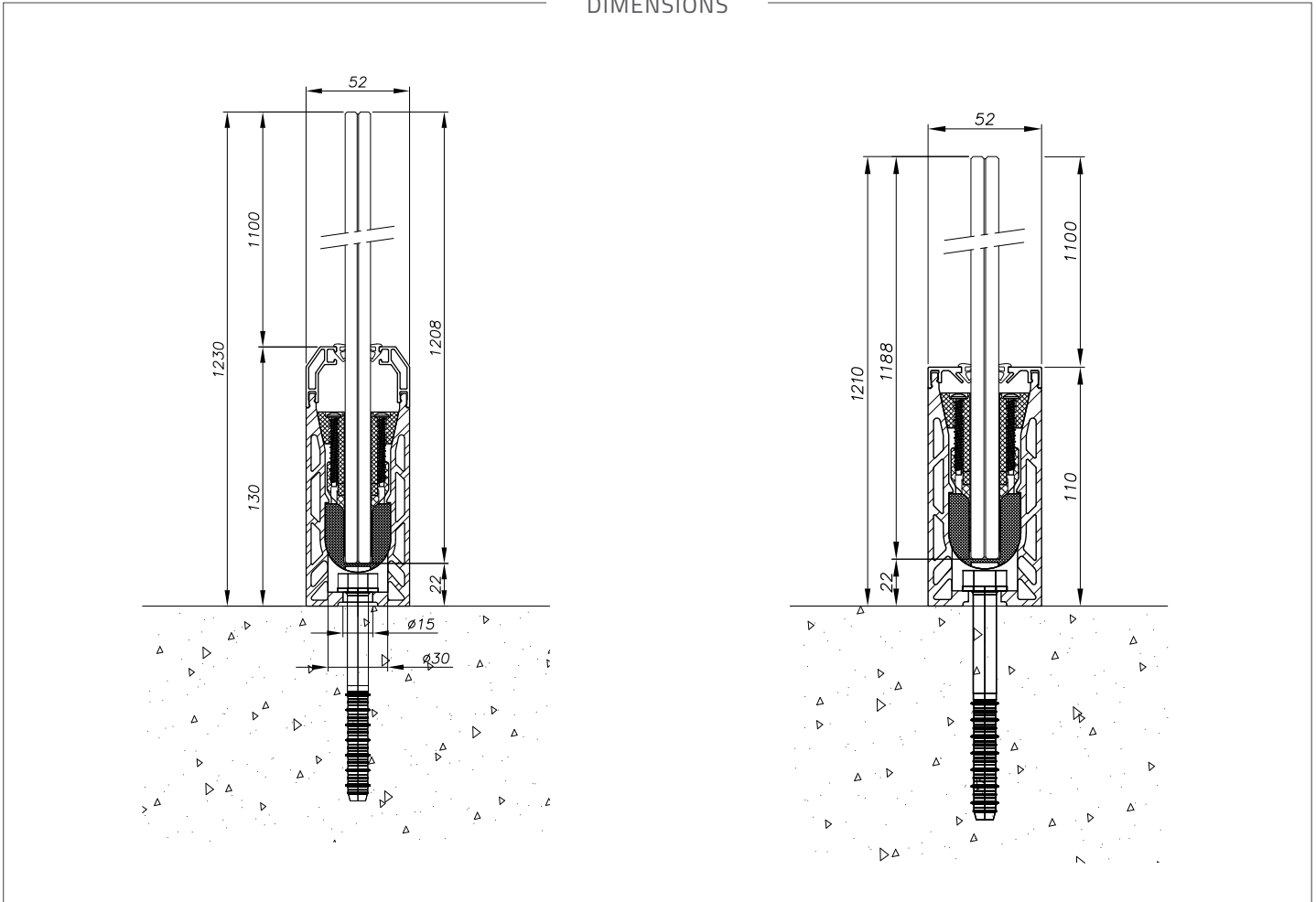


LED HIGH CLADDING

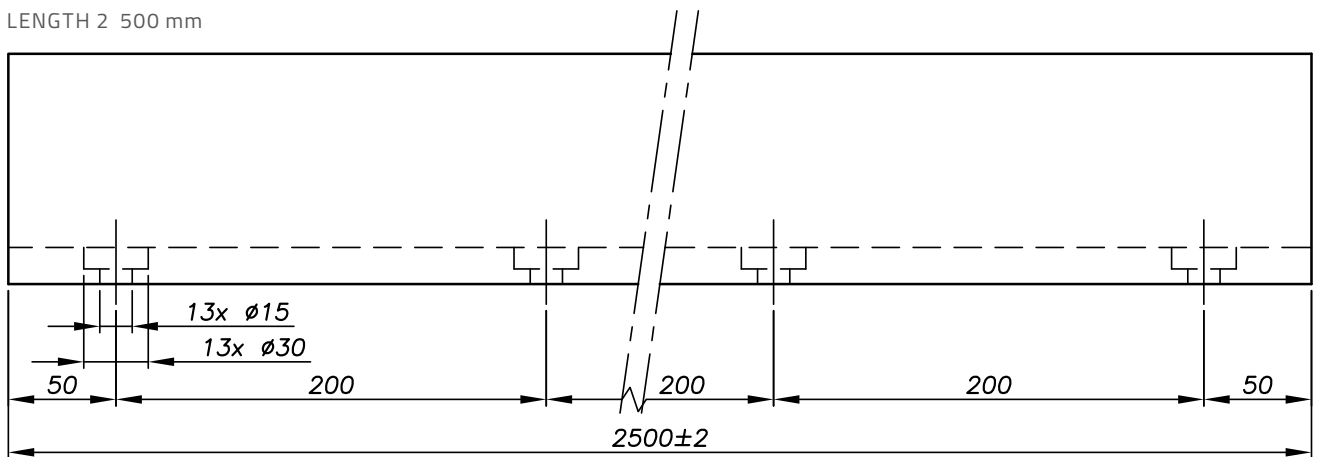
Ref.: 0080CAPO260-01 - Length: 2.5 m
Height: 30 mm
(Led not included - Informations on the next page)

TECHNICAL DRAWINGS

DIMENSIONS



LENGTH 2 500 mm



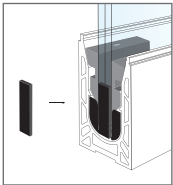
ACCESSORIES

SPACERS



5 MM SPACERS BETWEEN GLASSES

Ref.: 0080ESPAC0404 (Glass : 04.04)
Ref.: 0080ESPAC0505 (Glass : 05.05)
Ref. : 0080ESPAC0606 (Glass : 06.06)



They allow to keep a regular space between the glazings from 5 mm to 5 mm.

TORQUE SCREWDRIVER + TORX BIT



TORQUE SCREWDRIVER + TORX BIT PACK

Ref.: 007-TRVS-1.4NM
Tightening: 1.4 Nm



Order at least 1 piece for clamping compliance.

ALIGNMENT PINS



Ref.: 007PIN-06-50

Alignment pins are used to assemble the rails together.

++ Time saving. Alignment.

FIXINGS



CONCRETE SCREW HUS3 H 10X70

Ref. : 09HUS3-H10X70
ZINCED STEEL - Box of 50 pieces.



CONCRETE SCREW HUS HR 10X75

Ref.: 09HUS-HR10X75
STAINLESS STEEL- Box of 25 pieces.



MECHANICAL WALL PLUG HSL M8/20

Ref. : 09HSLM8/20
STAINLESS STEEL - Box of 40 pieces

The fastening ensures that the guardrail is held to the ground. It depends essentially on the class of the concrete.

CLEANING KIT



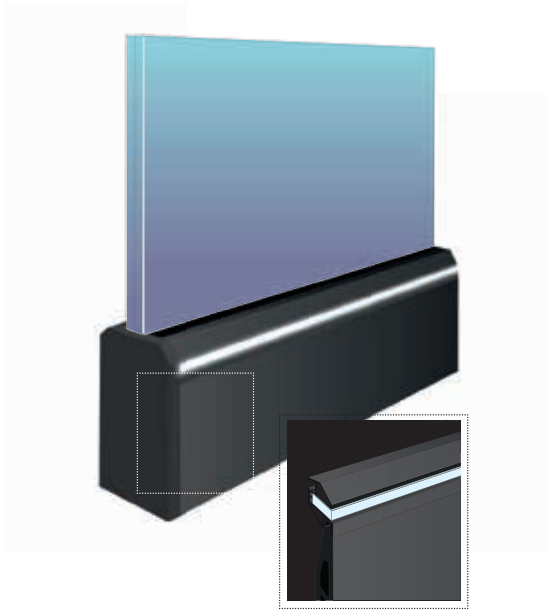
CLEANING KIT ALUMINUM AND STAINLESS STEEL DEGREASER

Ref.: 70UT-KITNET
Cleaning spray - 400 ml Microfiber cloth
- 30 x 50 cm





Give a new atmosphere
to **the pool** with our
lighting solutions



The neonflex headband is pressed into the cladding.
Ref.: 0080CAPO260-01

LED COVER OPTION



WHITE FLEXIBLE NEON (size: 6 x 12 mm)

Ref.: 007-FLEX-BLNT-5M (length 5 m)

Ref.: 007-FLEX-BLNT-10M (length 10 m)

Ref.: 007-FLEX-BLNT-15M (length 15 m)



**BOUCHON NÉONFLEX
SILICONE ALIMENTATION**

Réf.: 007-FLEX-BCH-ALIM

**BOUCHON NÉONFLEX
SILICONE FIN**

Réf.: 007-FLEX-BCH-FIN



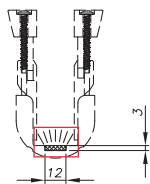
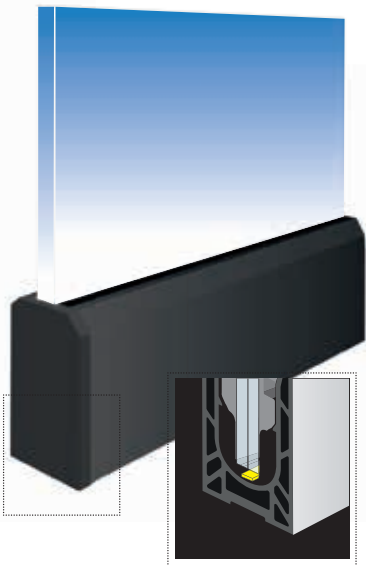
ALIMENTATION NÉONFLEX (60 W)

Réf.: 007-ALIM230/24-60

ALIMENTATION NÉONFLEX (150 W)

Réf.: 007-ALIM230/24-150

RAIL LED OPTION



The led strip is placed inside the hold.



NEUTRAL WHITE (L. 5m)

Ref.: 007-LED-BLC-NTR-5M



WARM WHITE (L. 5m)

Ref.: 007-LED-BLC-CHD-5M



COLD WHITE (L. 5m)

Ref.: 007-LED-BLC-FRD-5M



GREEN (L. 5m)

Ref.: 007-LED-VERT-5M



RED (L. 5m)

Ref.: 007-LED-ROUGE-5M



YELLOW (L. 5m)

Ref.: 007-LED-JAUNE-5M



BLUE (L. 5m)

Ref.: 007-LED-BLEU-5M



POWER SUPPLY (60 W)

Ref.: 007-ALIM230/24-60

POWER SUPPLY (150 W)

Ref.: 007-ALIM230/24-150



SADEV INO®

A UNIQUE DESIGN

It has been developed with a design agency, to obtain a product that is both aesthetic with a cover that limits the pressure point effect to avoid going over the barrier (foot-hold).

GLASS ADJUSTMENT DURING INSTALLATION

The INO is the only spigot on the market that offers such an easy adjustment during installation!

HIGH PROTECTION AGAINST CORROSION

This product is covered with a stainless steel cover, which gives it better anti-corrosion performance.







PACK SADEV INO®

TECHNICAL FEATURES

Length (front view)	72 mm
Width (side view)	100 to 104 mm depending on glass size
Height	211 mm
Materials	Cladding : Stainless steel 316 Support : High protection aluminium Anodization 25 µm
Application type	Private/public pool protection barriers
Mounting type	Floor mounting
Glass thickness	11,8 > 21,9 mm

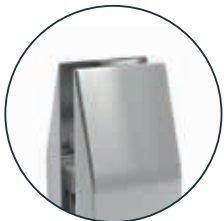
Height of the glass The standard recommends that the minimum height between the top of the support point (foot-hold) and the top of the barrier (in this case the glass) should always be greater than or equal to 1100 mm. *(Information to be found on page 11).*

Finishes Mirror polished stainless steel / Brushed stainless steel.

Profile connexion 800 mm

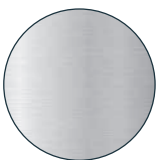
CERTIFICATIONS

Complies with the French and international standard.



INCLINED COVER

The shape of this cover avoids having a support point (foot-hold).



BRUSHED FINISH

High resistance against corrosion.
(code : 10)



MIRROR POLISH FINISH

(code : 11)



**INSTALL IT FITS!
READY TO ENJOY**

Reduction of the installation time:
The INO keeps the installation advantages of our systems. With an level adjustment of the glass during installation.

+ or -
15 mm

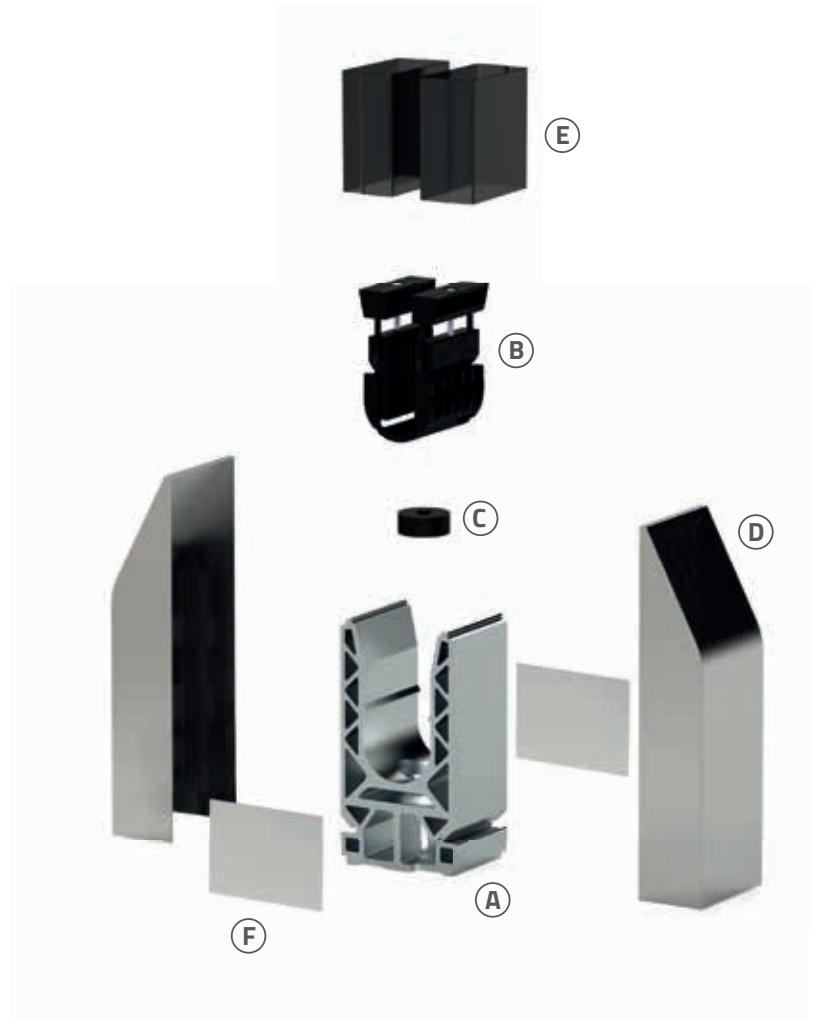


PACK SADEV INO[®]

Each pack contains:

- Ⓐ an aluminium base
- Ⓑ a wedge centering
- Ⓒ a wedge
- Ⓓ 2 cover base
- Ⓔ adhesive support
- Ⓕ cover base

Fastening (non included in the pack - optional)



Each pack corresponds to a specific glass thickness range

PACK GLASS 6.6 or 12 mm
Glass thickness: 11.8 > 14.2 mm Ref. : 0081INO111-0606

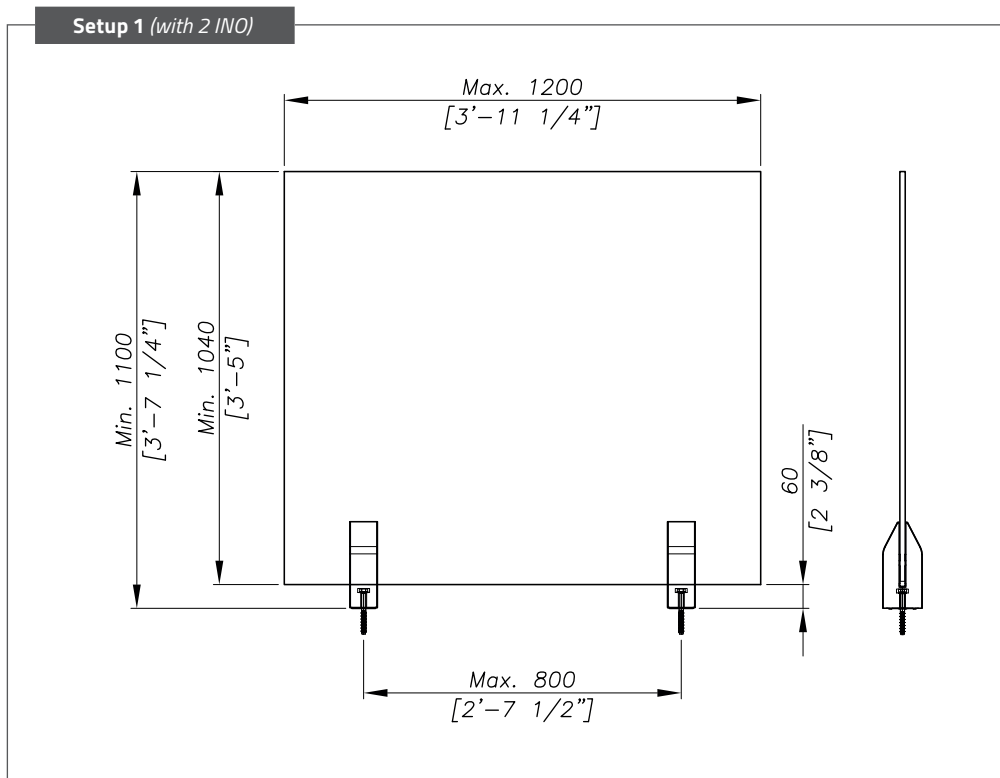
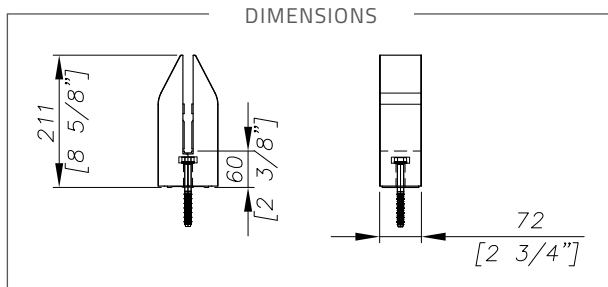
PACK GLASS 15 mm
Glass thickness: 13.6 > 16.3 mm Ref. : 0081INO111-1515

PACK GLASS 8.8
Glass thickness: 16.4 > 18.5 mm Ref. : 0081INO111-0808

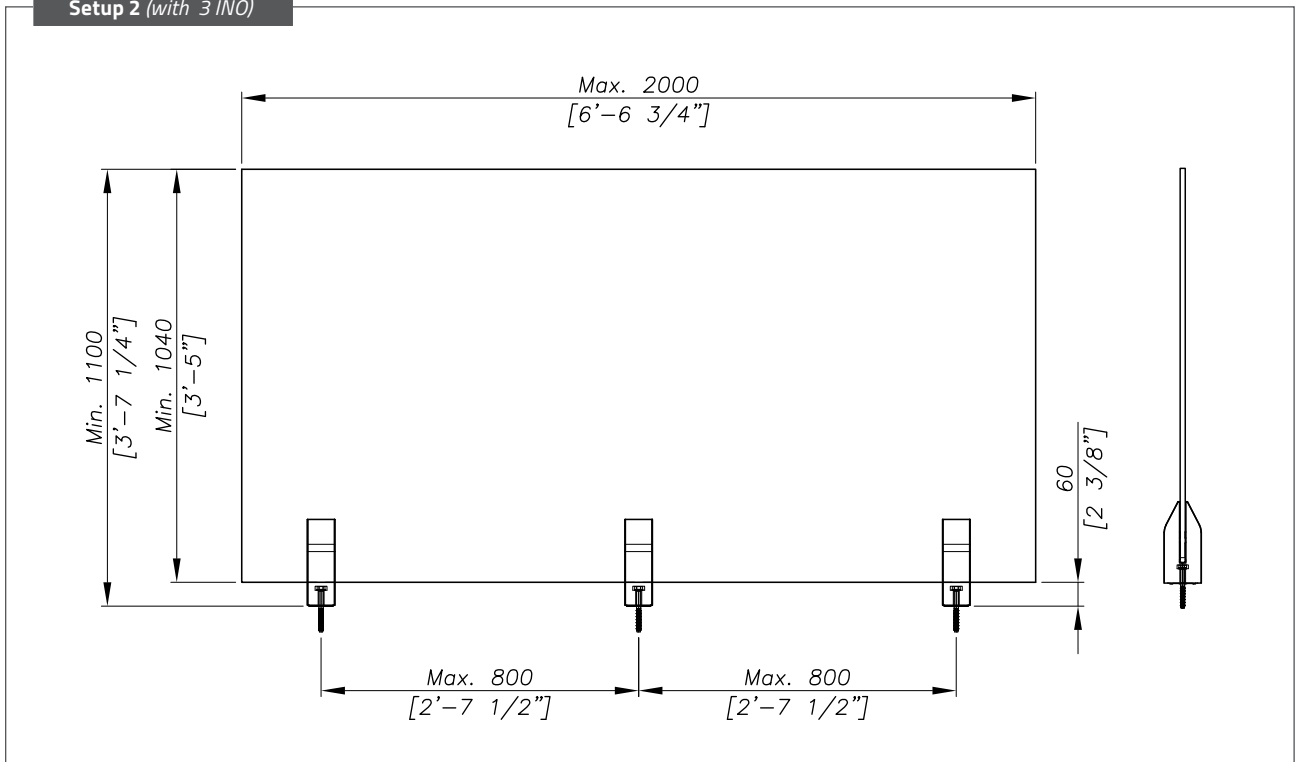
PACK GLASS 10.10
Glass thickness: 19.5 > 21.9 mm Re f. : 0081INO111-1010

When ordering, please specify the finish you want on your product:
e.g.: kit **0081INO111-0606** with mirror polished stainless steel finish **11** = **0081INO111-0606-11**.

TECHNICAL DRAWINGS



Setup 2 (with 3 INO)





SADEV INO® SQUARE

A COMPACT DESIGN

It has been designed to be as compact as possible and is distinguished by its square design.

GLASS ADJUSTMENT DURING INSTALLATION

Like the INO, the INO SQUARE is the only spigot on the market to offer such easy glass alignment during installation!

PROTECTION AGAINST CORROSION

The aluminum used in this product has been selected for its anti-corrosion performance







PACK SADEV INO® SQUARE

TECHNICAL FEATURES

Length (front view)	72 mm
Width (side view)	95 mm depending on glass size
Height	146 mm
Materials	Cladding : Aluminium Support : Aluminium - Anodization 25 µm
Application type	Private/public pool protection barriers
Mounting type	Floor mounting
Glass thickness	11,8 > 21,9 mm

Height of the glass

The standard recommends that the minimum height between the top of the support point (foot-hold) and the top of the barrier (in this case the glass) should always be greater than or equal to 1100 mm. *(Information to be found on page 11).*

Finishes

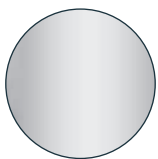
Natural anodized aluminum, brushed stainless steel effect (on request), RAL (on request).

Profile connexion

800 mm

CERTIFICATIONS

Complies with the French and international standard.



ALUMINUM

Corrosion resistant.
(code : 01)



BRUSH FINISH

High resistance to corrosion.
(code : 02)



RAL FINISH

(code : 03)



INSTALL IT FITS! READY TO ENJOY

Reduction of the installation time:
The INO keeps the installation advantages of our systems. With an level adjustment of the glass during installation.

+ or -
15 mm

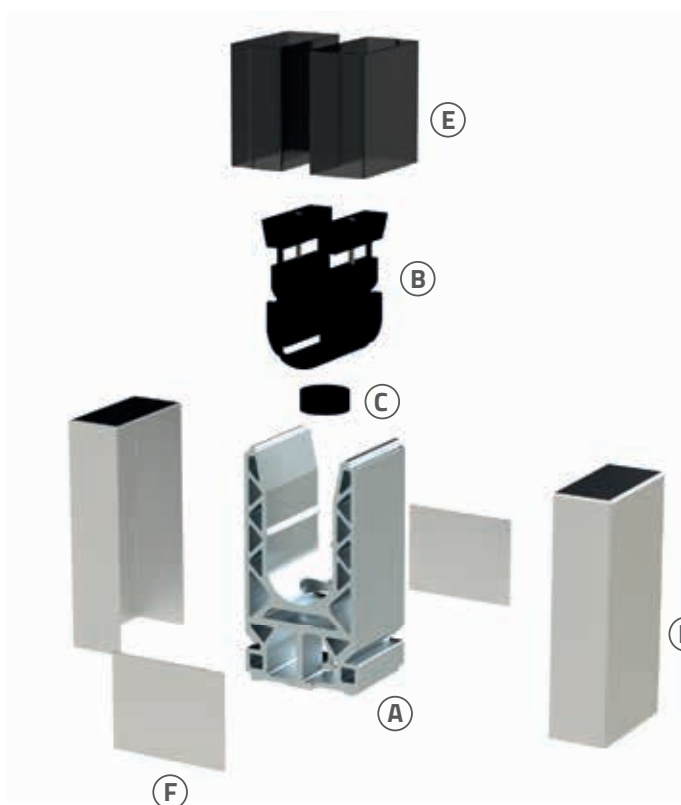


PACK SADEV INO[®] SQUARE

Each pack contains:

- Ⓐ an aluminium base
- Ⓑ a wedge centering
- Ⓒ a wedge
- Ⓓ 2 cover base
- Ⓔ adhesive support
- Ⓕ cover base

Fastening (non included in the pack - optional)



Each pack corresponds to a specific glass thickness range

PACK GLASS 6.6 or 12 mm

Glass thickness: 11.8 > 14.2 mm
Ref. : 0081INO500-0606

PACK GLASS 15 mm

Glass thickness: 13.6 > 16.3 mm
Ref. : 0081INO500-15

PACK GLASS 8.8

Glass thickness: 16.4 > 18.5 mm
Ref. : 0081INO500-0808

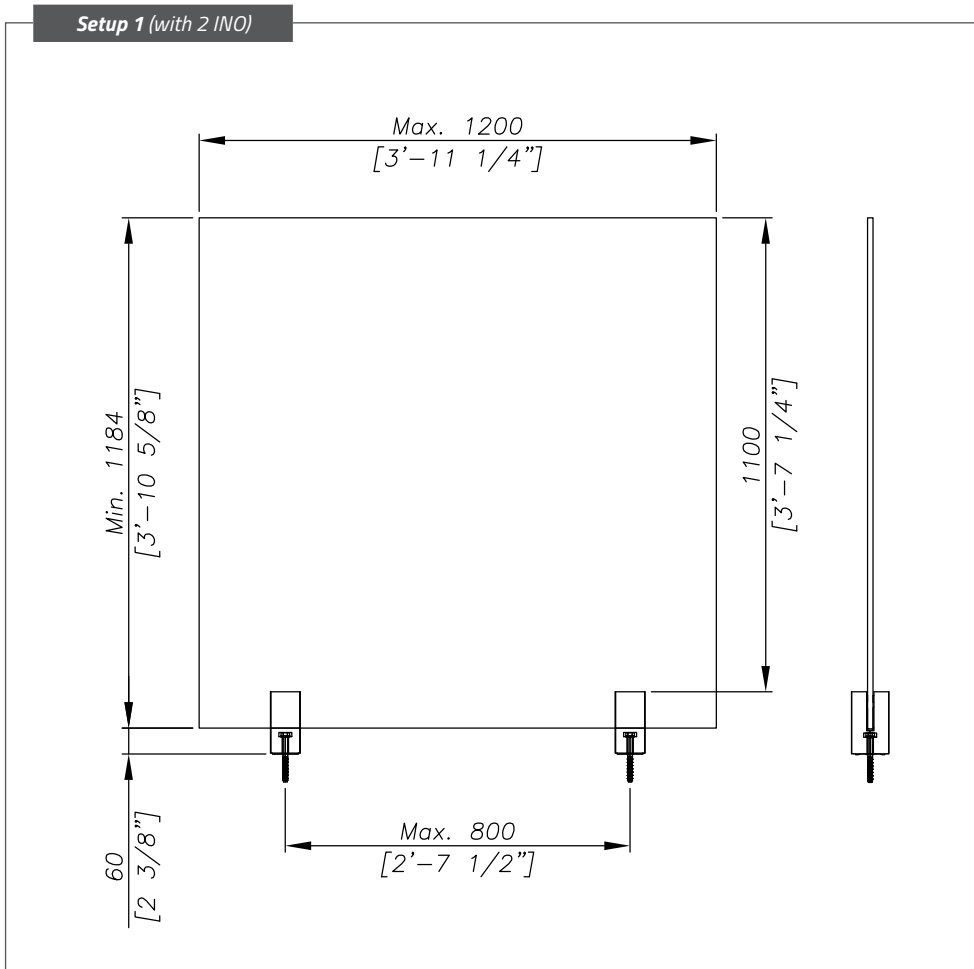
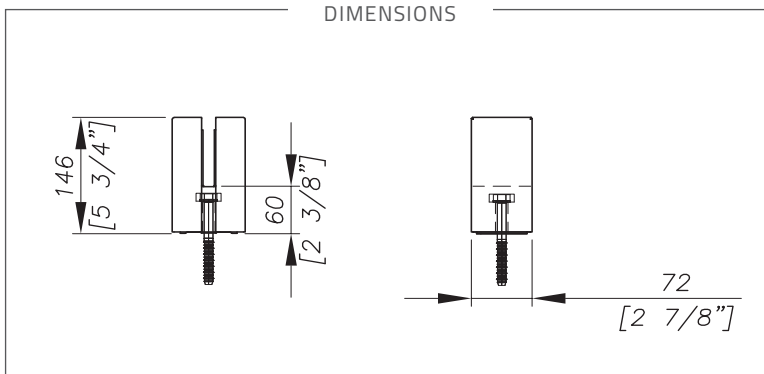
PACK GLASS 10.10

Glass thickness: 19.5 > 21.9 mm
Re f. : 0081INO500-1010

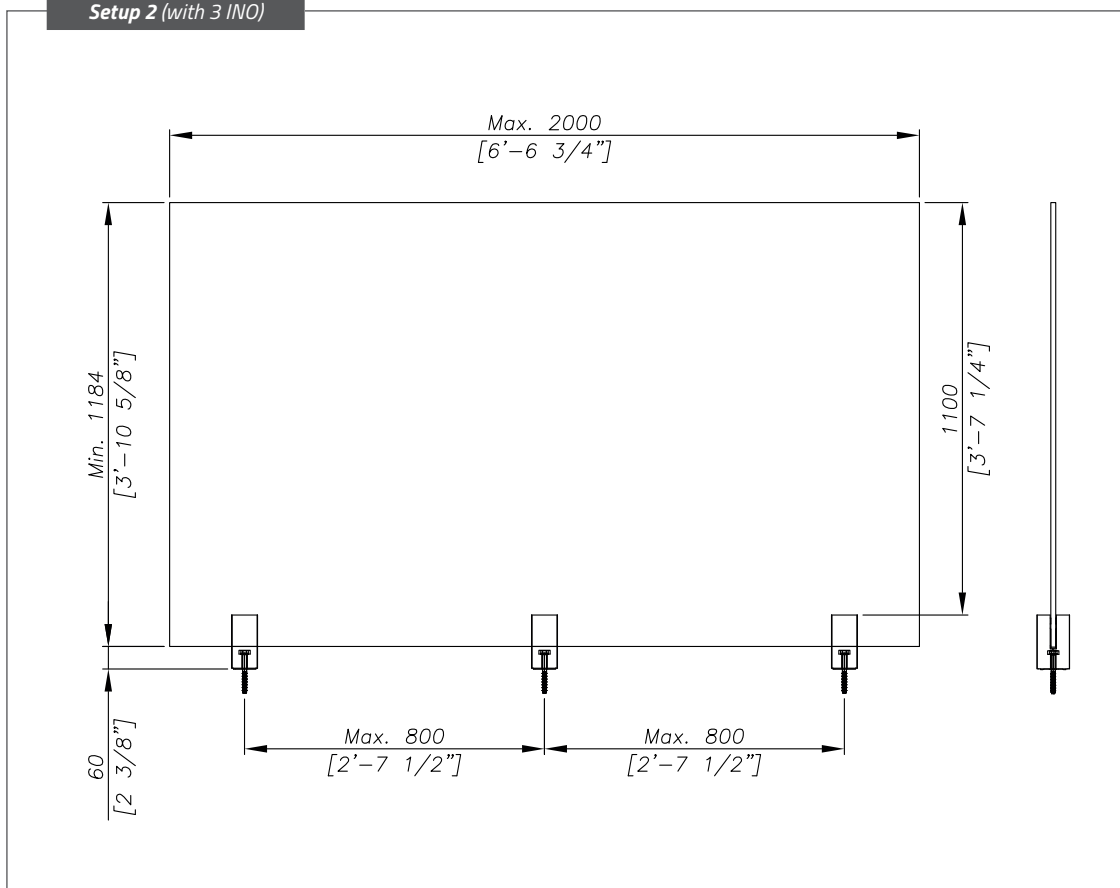
When ordering, please specify the finish you want on your product:

e.g.: kit **0081INO500-0606** with Natural anodized aluminum finish **01** = **0081INO500-0606-01**.

TECHNICAL DRAWINGS



Setup 2 (with 3 INO)



HOW TO INSTALL THE POOL BARRIER SYSTEM PROTECTION SYSTEM?

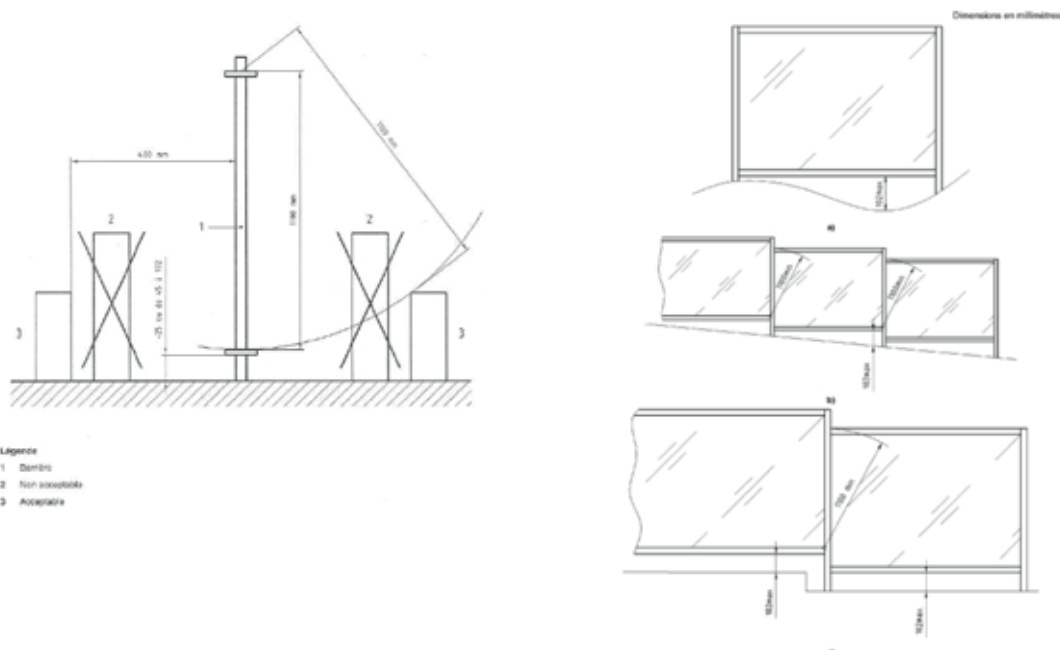
FRENCH STANDARD RECOMMANDATION

The swimside product must be installed according to the swimming pool standard of the country. These recommendations are based on the French standard.

Any modification or degradation of the products of the company SADEV disengages the responsibility of our company. In no case your distributor or the manufacturer of this barrier can be held responsible for the fall or drowning of any person or animal.

- It is recommended to install the barrier at least 1m from the water.
- For private pools for individual use, it is recommended not to install the barrier too far from the pool in order not to lose the effectiveness of the barrier.
- When the protective barrier is combined with one or more walls, these walls must not allow access to the pool through their height (minimum 1.10 m between support points) or their own openings (doors and windows closed by a childproof device).
- Whatever the profile of the ground (slope, presence of steps, etc.), the height between two support points must always be 1.10 m once the protective barrier is installed.
- It is imperative to change any deteriorated element (or set of elements).
- Avoid the presence of any fixed (low wall, etc.) or mobile support point and :
 - on the external side of the barrier in relation to the pool: for all types of barriers (with bars or solid panels), ensure that there are no elements within a radius of 1.10 m;
 - on the internal side of the barrier in relation to the pool: for barriers with bars only, ensure that there are no elements within 0.40 m of the barrier.

GROUND ANCHORING METHOD: the ground anchoring method must allow the permanent installation of the gate or pool barrier - the use of stainless steel screws is recommended.



SAFETY ADVICES

This barrier is intended to limit access to the pool to children under the age of five.

No type of protection will ever replace parental supervision and vigilance.

- The pool can be a serious danger for your children. Drowning can happen very quickly. Children near a pool require your constant vigilance and active supervision, even if they can swim;
- This barrier is not a substitute for common sense or individual responsibility. This barrier is not a substitute for common sense or individual responsibility. It is not intended to replace the vigilance of responsible adults, which remains the essential factor for the protection of young children. The means of access must be systematically closed in case of absence, even momentary, from home;
- In case of damage, take all measures to prevent young children from accessing the pool until the barrier or the means of access is repaired when a malfunction is observed or when the barrier is dismantled to prevent the pool from being secured;
- The presence of a parent and/or a responsible adult is essential when the pool is open.



- Learn life-saving skills;
- Memorize and post near the pool the first aid numbers
- Firemen;
- Poison control center.
- Caution! Safety is only guaranteed when the access door is closed and locked;
- Check that there are no objects near the barrier that could encourage or facilitate climbing the barrier;
- The closing of the means of access for self-closing systems must be systematically checked.
- The means of access must be systematically closed in the event of even momentary absence of supervision.

MAINTENANCE

It is imperative to replace any deteriorated element or set of elements as soon as possible.

Only use parts approved by the supplier/installer.

For the maintenance of our parts, please refer to our Aluminium maintenance manual available on

[sadev.com](https://www.sadev.com) 

INO AND RAIL ASSEMBLY GUIDE

Available on [sadev.com](https://www.sadev.com) 

The installation of the protective barrier must respect these instructions, as well as the precautions of use and safety.



CLASSIC® SABCO® OSF® DECOR® SWIMSIDE®

MEMBER OF  SIMONSWERK

Phone. +33(0) 4 50 08 39 00 | Fax. +33(0) 4 50 08 39 49
76, chemin des poses - 74330 Poisy (France)

sadev.com

follow us on

