

FLUIDO+ 70

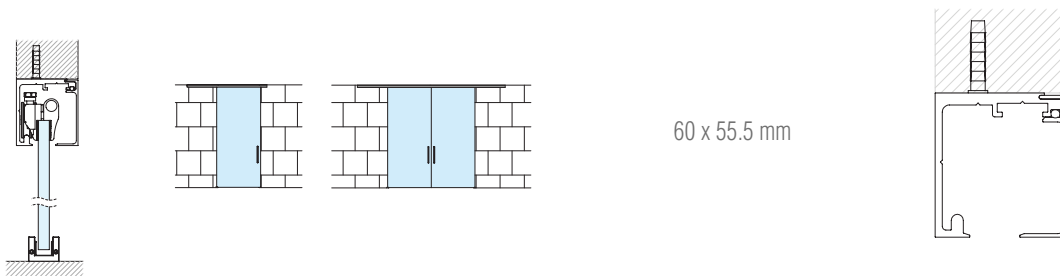
MAX 70 Kg - 154 lbs

Porte - Doors

PORTE IN VETRO / GLASS DOORS Soluzioni e Profili - Solutions and Profiles

SCORREVOLE A SOFFITTO

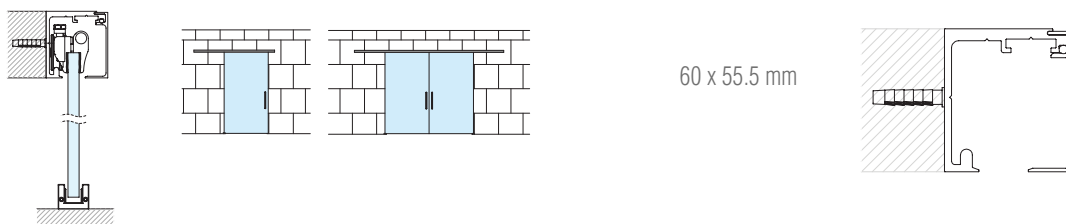
Sliding on Ceiling



60 x 55.5 mm

SCORREVOLE A PARETE

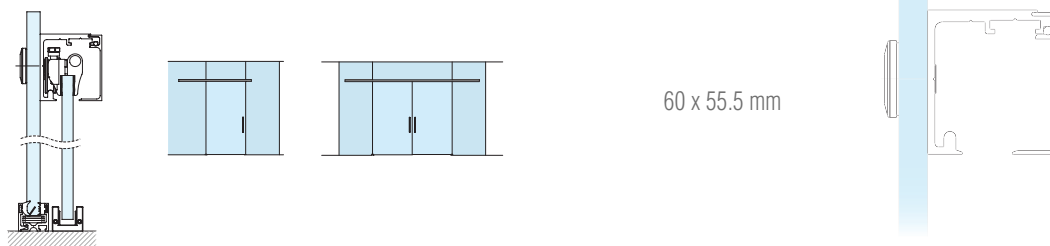
Sliding on Wall



60 x 55.5 mm

SCORREVOLE SU VETRO FISSO

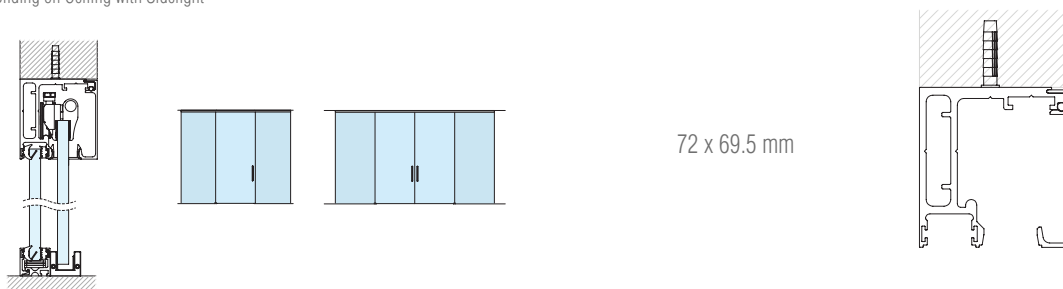
Sliding on Sidelight



60 x 55.5 mm

SCORREVOLE A SOFFITTO CON FISSO

Sliding on Ceiling with Sidelight



72 x 69.5 mm

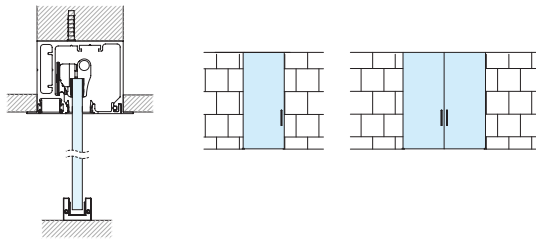
FLUIDO+ 70

MAX 70 Kg - 154 lbs

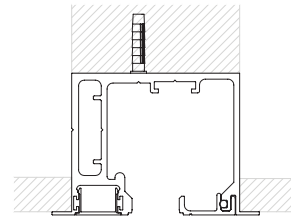
Porte - Doors

PORTE IN VETRO / GLASS DOOR Soluzioni e Profili - Solutions and Profiles**SCORREVOLE A FALSO SOFFITTO**

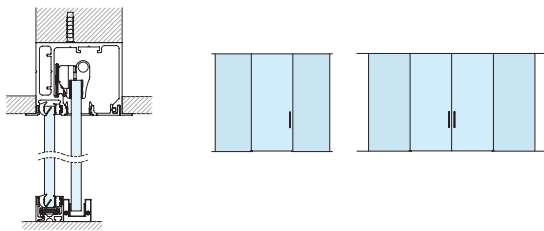
Sliding on False Ceiling



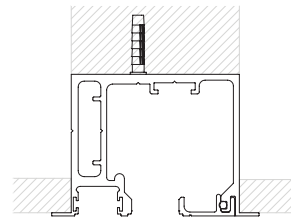
85,4 x 72 mm

**SCORREVOLE A FALSO SOFFITTO CON FISSO**

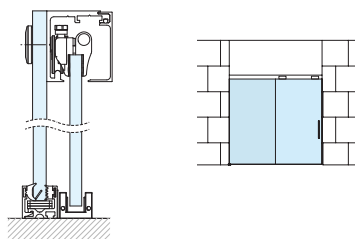
Sliding on False Ceiling with Sidelight



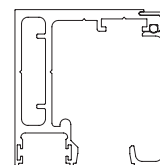
85,4 x 72 mm

**INSTALLAZIONE CON SUPPORTO A PARETE**

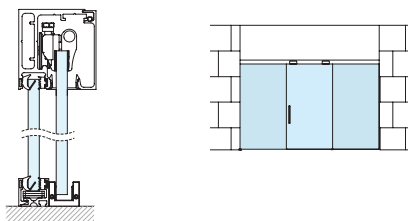
Installation with Supports on Wall



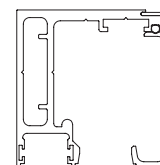
72 x 69.5 mm

**INSTALLAZIONE CON SUPPORTO A PARETE**

Installation with Supports on Wall



72 x 69.5 mm



FLUIDO+ 70

Dettagli Tecnici - Technical details



	PORTATA Weight	70kg per porta / for door 154lbs			
	SPESORE VETRO Glass thickness	8 ÷ 12 mm 5/16" to 1/2"			
	SPESORE PORTA IN LEGNO Wooden door thickness	28 ÷ 50 mm 1 1/8" to 1 15/16"			
	REGOLAZIONE IN ALTEZZA Height adjustment	± 3 mm 1/8"			
	DISTANZA A PARETE Wall distance	19 mm 3/4"			
	DISTANZA TRA ANTA E VETRO FISSO Distance between door and sidelight	14.2 ÷ 16.2 mm 9/16" to 5/8"			
	INSTALLAZIONE A VETRO Glass installation	✓			
	INSTALLAZIONE A FALSO SOFFITTO False ceiling installation	✓			
	INSTALLAZIONE TRA PARETI Installation between walls	✓			
	SOFTCLOSE Soft close	Doppio / Double			
	DIMENSIONI MINIME (doppio Softclose) Minimum dimensions (double soft close)	660 mm 26"			
	RETAINER MECCANICO Mechanical retainer	Doppio / Double			
	DIMENSIONI MINIME (doppio Retainer) Minimum dimensions (double Retainer)	450 mm 17 11/16"			
	FINITURE Finishes	<table border="1"> <tbody> <tr> <td>02 Ossidato naturale Natural oxidized</td> <td>05 Ossidato nero Black oxidized</td> <td>13 PVD simil inox similar PVD stainless steel</td> </tr> </tbody> </table>	02 Ossidato naturale Natural oxidized	05 Ossidato nero Black oxidized	13 PVD simil inox similar PVD stainless steel
02 Ossidato naturale Natural oxidized	05 Ossidato nero Black oxidized	13 PVD simil inox similar PVD stainless steel			



**CERTIFICAZIONE DURABILITÀ
CICLI CORROSIONE**
Durability certification
Corrosion cycles

DURABILITÀ (100.000 Cicli)
Durability (100.000 Cycles)

PESO DELLA PORTA (da 51 a 100 kg)
Door mass (from 51 up to 100 kg)

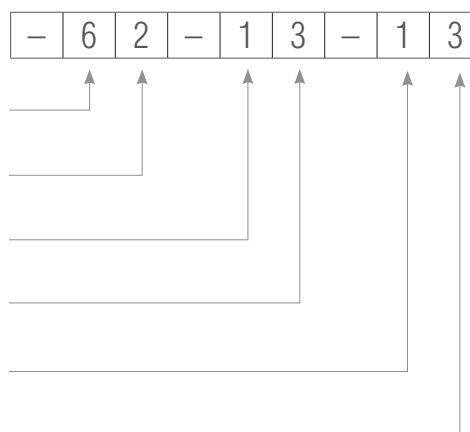
SICUREZZA (Grado 1 per tutti gli scorrevoli)
Safety (All sliding must be grade 1)

RESISTENZA ALLA CORROSIONE (Alta resistenza)
Corrosion resistance (High resistance)

CATEGORIA DELLA PORTA (Porta scorrevole)
Category of door (Sliding door)

FRIZIONE INIZIALE VALORE MASSIMO CONSENTITO (40N)
Initial friction maximum permitted value (40N)

according to
EN1527

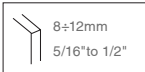


FLUIDO+ 70 A SOFFITTO/PARETE • ON CEILING/WALL

MAX 70 Kg - 154 lbs

Porte - Doors

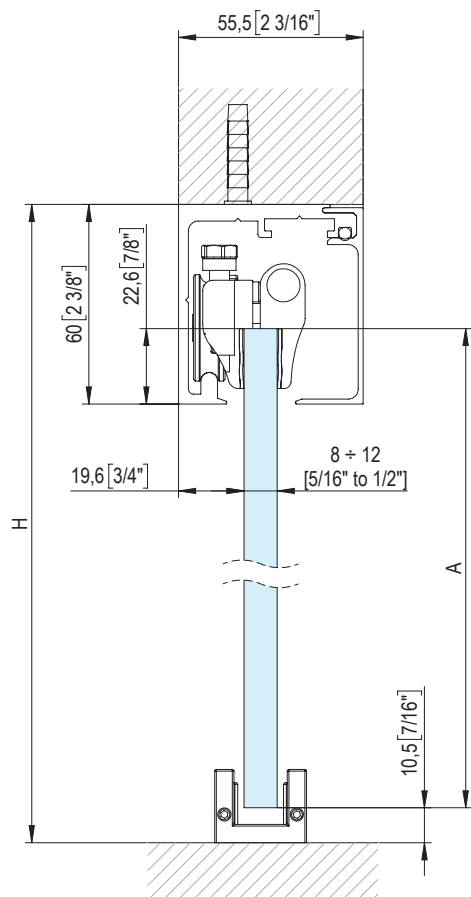
KB070CM0/2 = 2 m KB070CM0/3 = 3 m



- Kit scorrevole parete/soffitto con retainer e stop meccanico.
- Kit corredizo de techo / pared con retenedor tope mecánico
- Sliding wall / ceiling kit with retainer and mechanical stop
- Schiebewand- / Deckensatz mit Halterung und mechanischem Anschlag
- Kit mur / plafond coulissant avec arrêtoir et butée mécanique

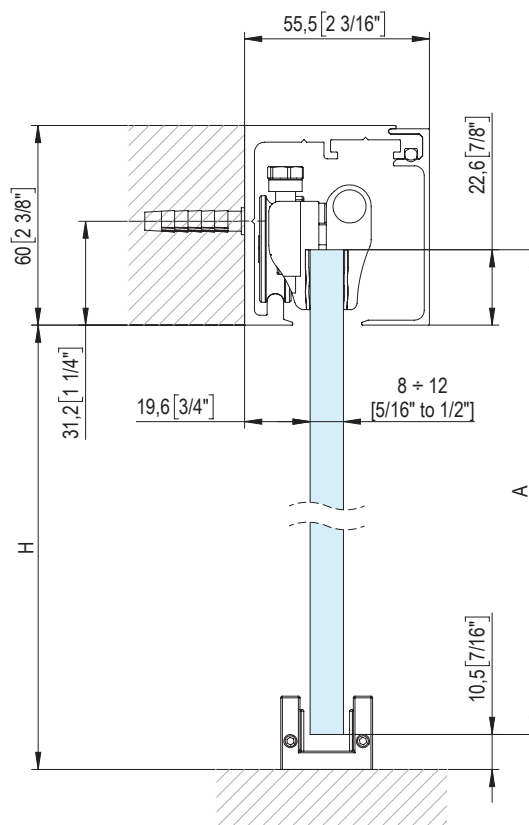


TAPPI NON INCLUSI - CAPS NOT INCLUDED



$$A = H - 48$$

$$[A = H - 1 7/8"]$$



$$A = H + 12$$

$$[A = H + 1/2"]$$



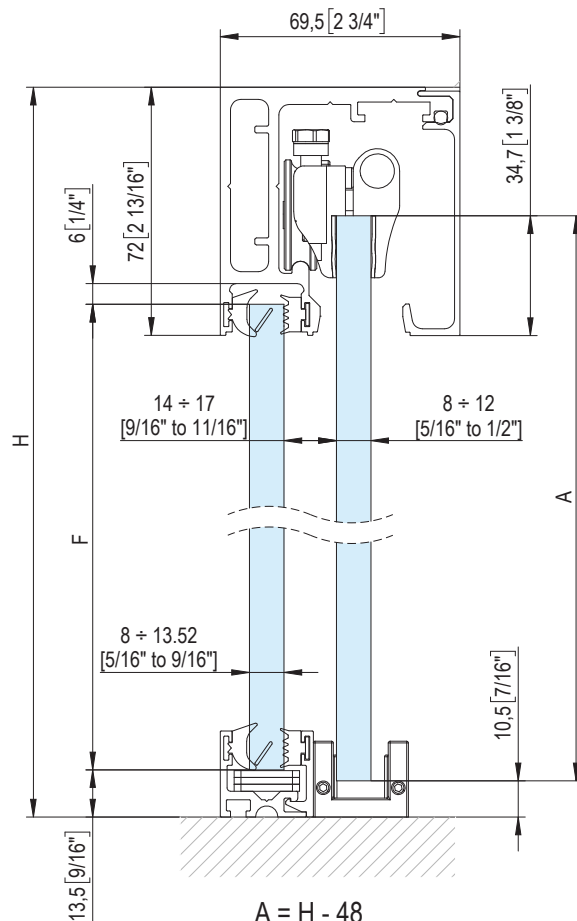
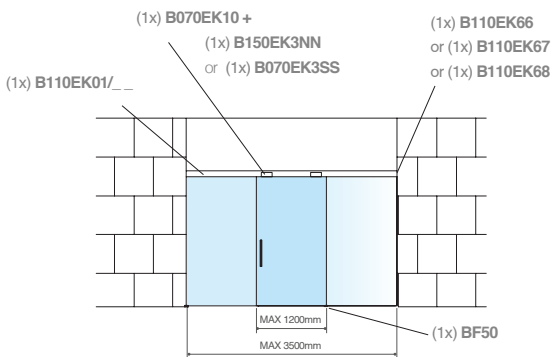
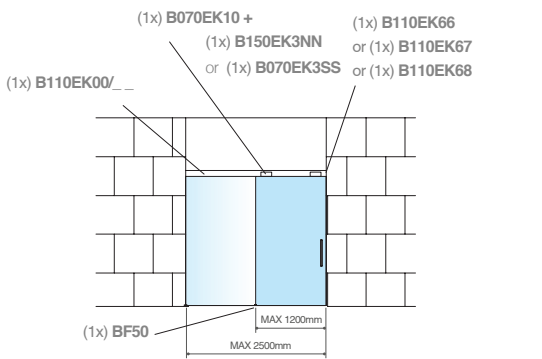
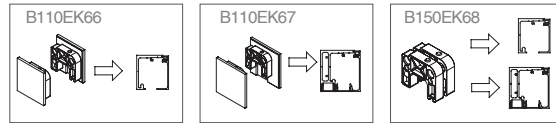
L'installazione dei Fluido+ 70, 110 e 150 non necessita di forature sul vetro • The installation of Fluido+ 70, 110 and 150 does not need holes on the glass

SCORREVOLI
SLIDING

FLUIDO+ 70 CON SUPPORTI A PARETE • WITH SUPPORTS ON WALL

MAX 70 Kg - 154 lbs

Porte - Doors



$$A = H - 48$$

$$[A = H - 1 \frac{7}{8}"]$$

$$F = H - 77$$

$$[F = H - 3 \frac{1}{16}"]$$

NON INCLUSI - NOT INCLUDED



Vedere scheda catalogo P20E nella sezione PARTIZIONI
See P20E technical sheet in PARTITIONING section

SCORREVOLI
SLIDING

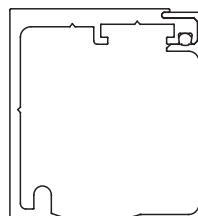


L'installazione dei Fluido+ 70, 110 e 150 non necessita di forature sul vetro • The installation of Fluido+ 70, 110 and 150 does not need holes on the glass

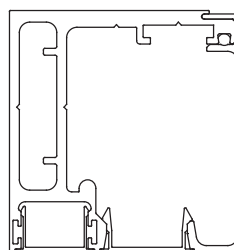
FLUIDO+ 70

PROFILI BINARIO- PROFILES RAIL

MAX 70 Kg - 154 lbs

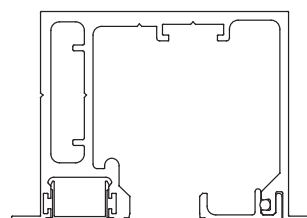
**B110EK00/2 (2 m)****B110EK00/3 (3 m)****B110EK00/4 (4 m)****B110EK00/6 (6 m)**

- Profilo binario per scorrevole: soffitto, parete e su vetro fisso.
- Perfil corredero para instalación a techo, pared y pared de vidrio.
- Sliding profile for ceiling, wall and sidelight installation.
- Schiebetürprofil für Decken-, Wand- und Glaswandeinbau.
- Profil de rail coulissant : plafond, mur et verre fixe.

B110EK01/2 (2 m)**B110EK01/3 (3 m)****B110EK01/4 (4 m)****B110EK01/6 (6 m)**

- Profilo binario per scorrevole a soffitto con vetro fisso
- Perfil corredero para instalación a techo con paño fijo.
- Sliding profile for ceiling with sidelight installation.
- Schiebetürprofil für Deckeneinbau mit seitlichen Glas.
- Profil coulissant de plafond avec verre fixe.

<ul style="list-style-type: none"> B150EP45/2 (2mt) B150EP45/3 (3mt) B150EP45/4 (4mt) B150EP45/6 (6mt) <p>OPTIONAL</p>	<ul style="list-style-type: none"> B150EP46/2 (2mt) B150EP46/3 (3mt) B150EP46/4 (4mt) B150EP46/6 (6mt) <p>OPTIONAL</p>
---	---

B150EK02/2 (2 m)**B150EK02/3 (3 m)****B150EK02/3.2 (3,2 m)****B150EK02/4 (4 m)****B150EK02/6 (6 m)**

- B150EP45/2 (2mt)
- B150EP45/3 (3mt)
- B150EP45/4 (4mt)
- B150EP45/6 (6mt)

OPTIONAL

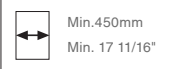
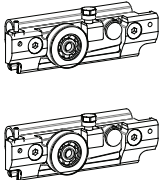
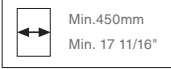
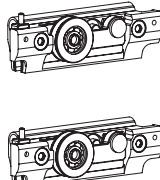
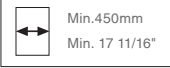
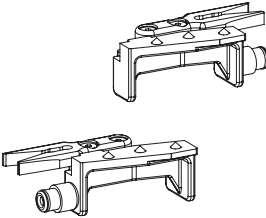
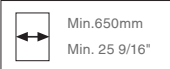
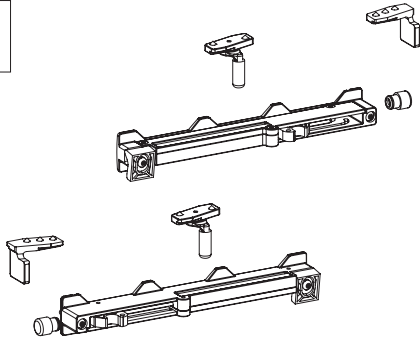
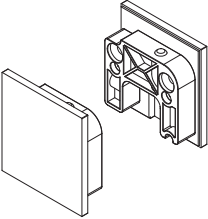
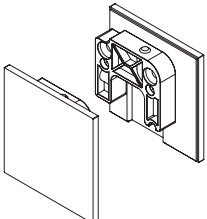
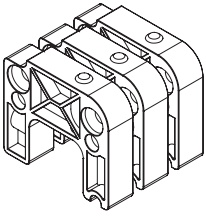
- Profilo binario per scorrevole a falso soffitto e a falso soffitto con vetro fisso
- Perfil corredero para instalación a falso techo, con o sin paño fijo.
- Sliding profile for false ceiling installation, both with and without sidelight.
- Schiebetürprofil für Zwischendeckeneinbau, mit oder ohne seitlichen Glas.
- Profil coulissant de faux-plafond avec ou sans verre fixe.

FLUIDO+ 70

KIT PINZE- CLAMPS KIT

MAX 70 Kg - 154 lbs

Porte - Doors

<p>B070EK10</p> <div style="border: 1px solid black; padding: 2px; width: fit-content; margin: 0 auto;">  <p>Min.450mm Min. 17 11/16"</p> </div> <ul style="list-style-type: none"> ▪ Kit coppia pinze. ▪ Kit par de pinzas. ▪ Kit with pair of clamps. ▪ Bausatz ein Paar Zangen. ▪ Kit paire de pinces. 	<p>B070EK05</p> <div style="border: 1px solid black; padding: 2px; width: fit-content; margin: 0 auto;">  <p>Min.450mm Min. 17 11/16"</p> </div> <ul style="list-style-type: none"> ▪ Kit coppia pinze falso soffitto ▪ Kit par de pinzas a cielo falso ▪ Kit with pair of clamps on false ceiling. ▪ Bausatz ein Paar Zangen an abgehängter Decke. ▪ Kit paire de pinces faux-plafond. 	
<p>B150EK3NN</p> <div style="border: 1px solid black; padding: 2px; width: fit-content; margin: 0 auto;">  <p>Min.450mm Min. 17 11/16"</p> </div> <ul style="list-style-type: none"> ▪ Kit coppia Retainer. Stop meccanico ▪ Kit par tope mecánico ▪ Kit with pair of mechanical stops ▪ Bausatz ein Paar mechanische Stopper ▪ Kit paire arrêt mécanique 		
<p>B070EK3SS</p> <div style="border: 1px solid black; padding: 2px; width: fit-content; margin: 0 auto;">  <p>Min.650mm Min. 25 9/16"</p> </div> <ul style="list-style-type: none"> ▪ Kit coppia Soft Close CPCS ▪ Kit par Soft Close CPCS ▪ Kit with Soft Close CPCS pair ▪ Bausatz ein Paar Soft Close CPCS ▪ Kit paire Soft Close CPCS 		
<p>B110EK66</p>  <ul style="list-style-type: none"> ▪ Coppia di tappi. ▪ Par de tapones ▪ Pair of caps ▪ Paar Kappen ▪ Paire de bouchons 	<p>B110EK67</p>  <ul style="list-style-type: none"> ▪ Coppia di tappi per versione con fisso laterale. ▪ Par de tapones para versión con cristal fijo lateral ▪ Pair of caps for model with side fixed glass ▪ Paar Kappen für Version mit festem Seitenglas ▪ Paire de bouchons pour version avec vitrage fixe latéral 	<p>B150EK68</p>  <ul style="list-style-type: none"> ▪ Kit spessore per Velella e supporti laterali - Consigliato per binari oltre i 2,5m ▪ Kit cuña para panel y soportes laterales -Aconsejado para perfiles de largo superior a 2,5 m ▪ Set spacer for casing and side fittings - Recommended for rails longer than 2,5 m ▪ Set Distanzstück für Anlauf und Seitenträger - Empfohlen für Profilen über 2,5 m ▪ Kit épaisseur pour panneau et supports latéraux - Recommandé pour les profils de plus de 2,5 m

FLUIDO+ 70

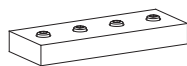
COMPONENTI- COMPONENTS

 **70 Kg** - 154 lbs

 **Porte** - Doors

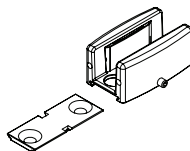
B150EP48

- Tassello di collegamento - per vetro fisso
- Pieza de unión - para cristal fijo
- Connection insert - for fixed glass
- Verbindungsdübel - für festem Glas
- Tasseau d'assemblage - pour vitrage fixe



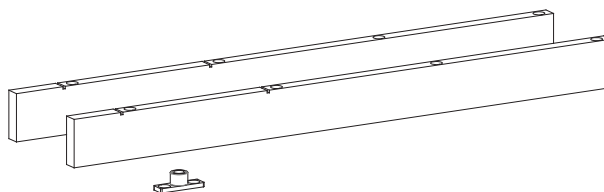
BF50

- Guida a terra.
- Guía de suelo
- Ground slide
- Bodenführung
- Guide au sol



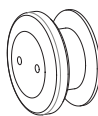
B150EP85

- Kit accessorio per porte in legno.
- Kit accesorios para puertas de madera.
- Accessory kit for wooden doors.
- Zubehörkit für Holztüren.
- Kit accessoires pour portes en bois.



BF70

- Borchia per fissaggio barra a vetro.
- Perno de fijación de la barra al cristal
- Boss for securing glass bar
- Senkschraube zur Befestigung der Stange am Glas
- Clou de fixation de la barre à la vitre



Lunghezza barra

Longitud de la barra
Bar length
Profillänge
Longueur de barre

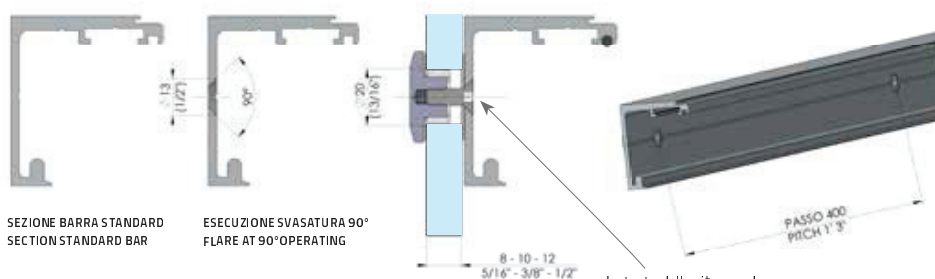
Quantità borchie

Cantidad tornillos
Quantity of studs
Anzahl der Stifte
Quantité

2 mt	5
3 mt	7
3,2 mt	8
4 mt	10
6 mt	15

DETTAGLIO FORATURA FISSAGGIO A VETRO - DETAILS DRILLING FOR GLASS FIXING

DETALLE AGUJERO PARA FIJACIÓN A VIDRIO - DETAIL DES BOHRENS FÜR DIE GLASFIXIERUNG - PLAN DE PERÇAGE POUR FIXATION SUR VERRE


 SEZIONE BARRA STANDARD
SECTION STANDARD BAR

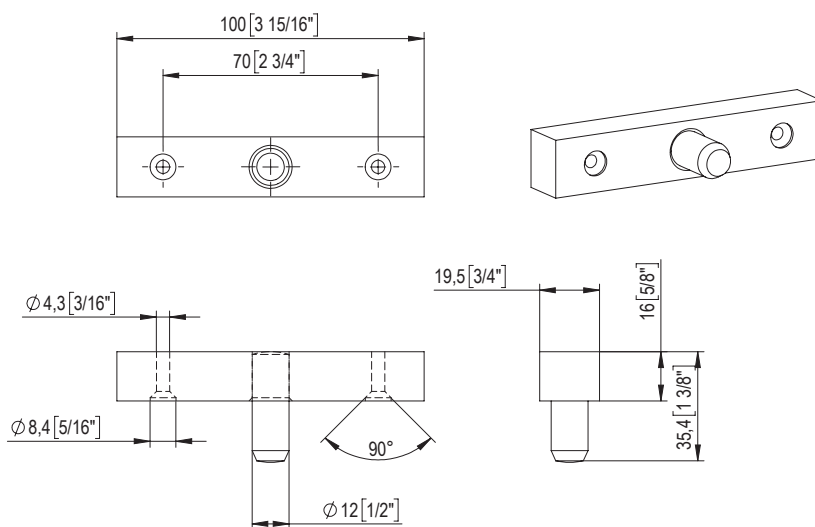
 ESECUZIONE SVASATURA 90°
FLARE AT 90° OPERATING

La testa della vite non deve sporgere
The screw head shall not be protruded

B150EP27 serie FLUIDO+

 Porte - Doors

- Perno per porte battenti da applicare ad estrusi Fluido+.
- Pernio para puertas batientes, por aplicar a perfiles Fluido+.
- Spindle for swing doors, to be applied to Fluido+ profiles.
- Drehpunkt für Pendeltüren für Fluido+ Profilen.
- Pivot pour portes battantes à appliquer sur profilis Fluido+.



ESEMPIO APPLICAZIONE CON CERNIERA UNICA 101E10 - 100E20

