

BILOBA: Represents the evolution and the synthesis between the automatic-mechanical hinges and the hydraulic door closers already present on the market. It is born for inner doors and allows the non-installation of any device either on the floor or on air, maintaining anyway the advantage of closing automatism. The moving speed is adjustable and very safety, because the door does not offer resistance in case of accidental violent pull. They bore strict testing (more than one million of cycles). The design can be personalized changing the part which clamps the glass, maintaining the mechanism unchanged.

Main features and functions:

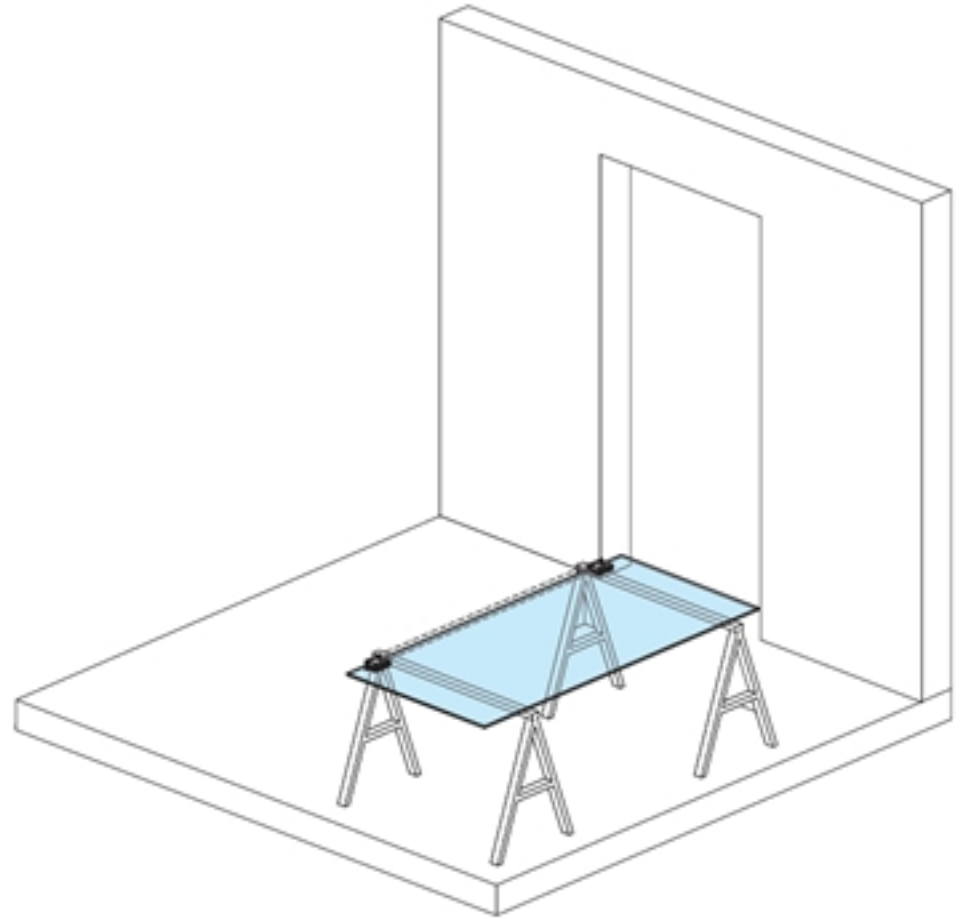
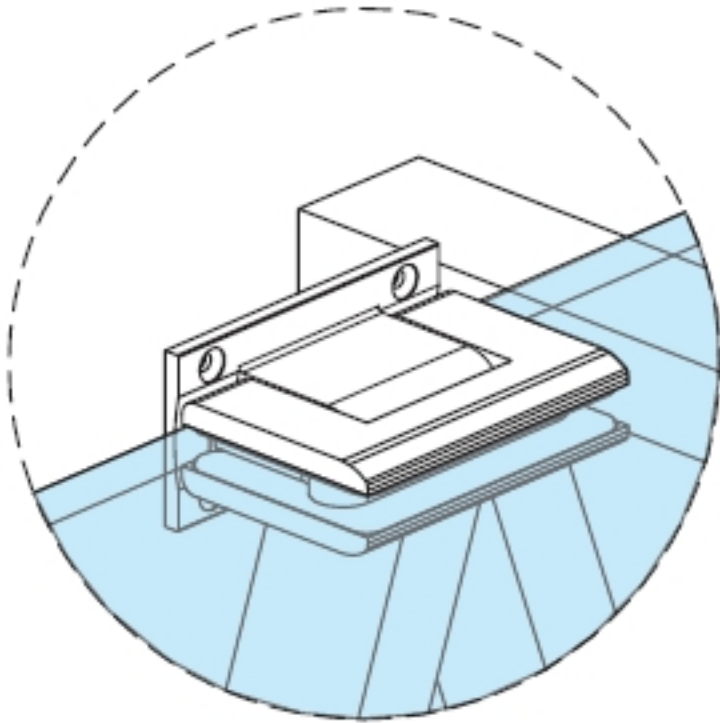
- It is born for inner doors.
- Automatic closing with speed adjustable return.
- Safe for children, because it does not offer resistance against pulling.
- It remains in the position of standby at 90° and 180°.
- It maintains the initial features over the time.
- The price of this solution is lower than the solutions proposed from the market.
- Tested for 1.000.000 cycles

[Instructions of assembly](#)

[Valvle control](#)

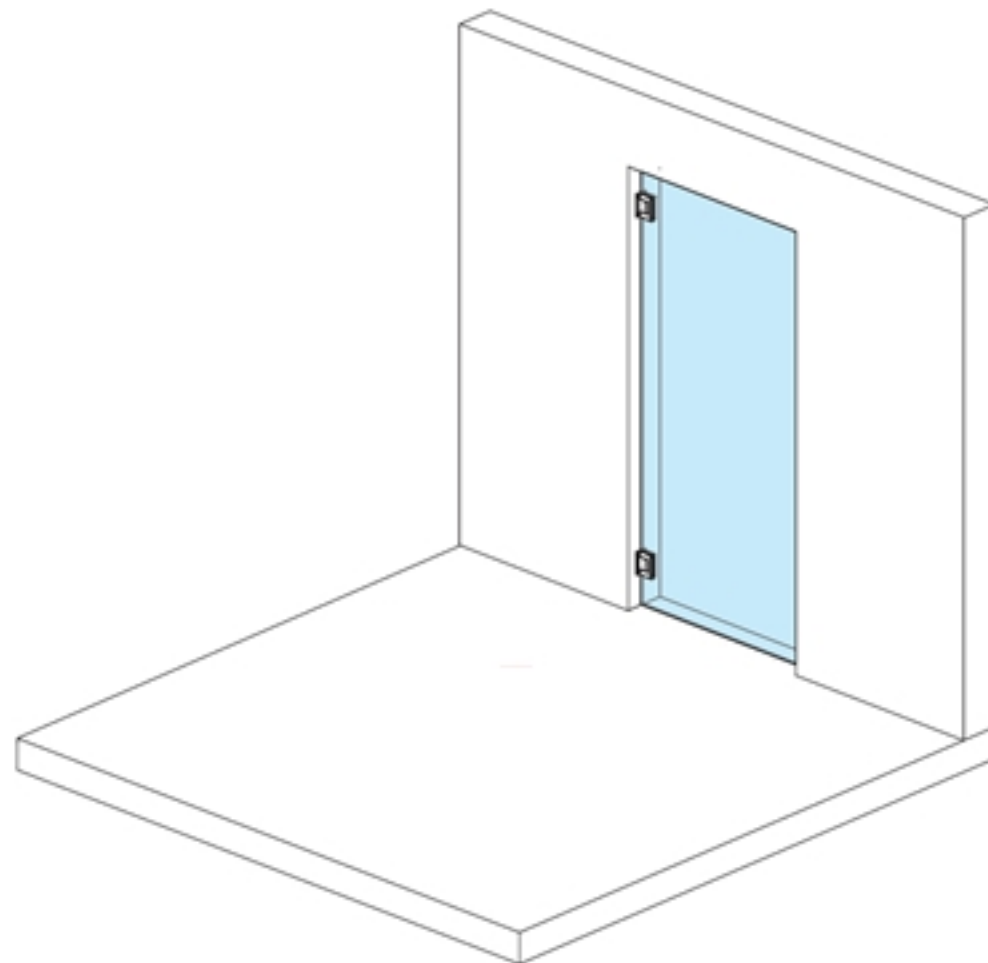
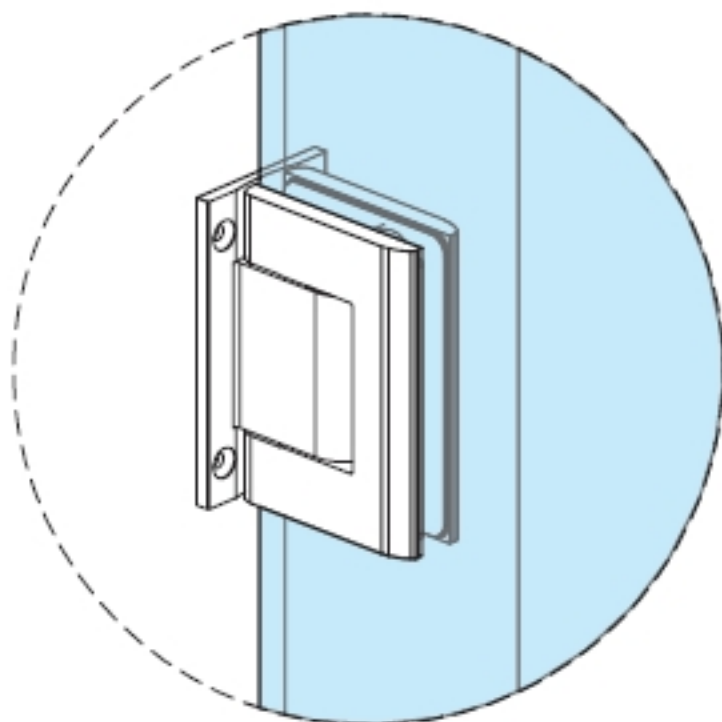


BILOBA valve control



1- Mount the hinges and align them

FORWARD



2- Position the door at the core of jamb.

Use the bracket as a drilling jig entering the existing holes with a bit of \varnothing 5mm in order to mark the holes on the wall. Remove the door, enlarge the holes to the appropriate dimension (for the desired dowels), thread the dowels.

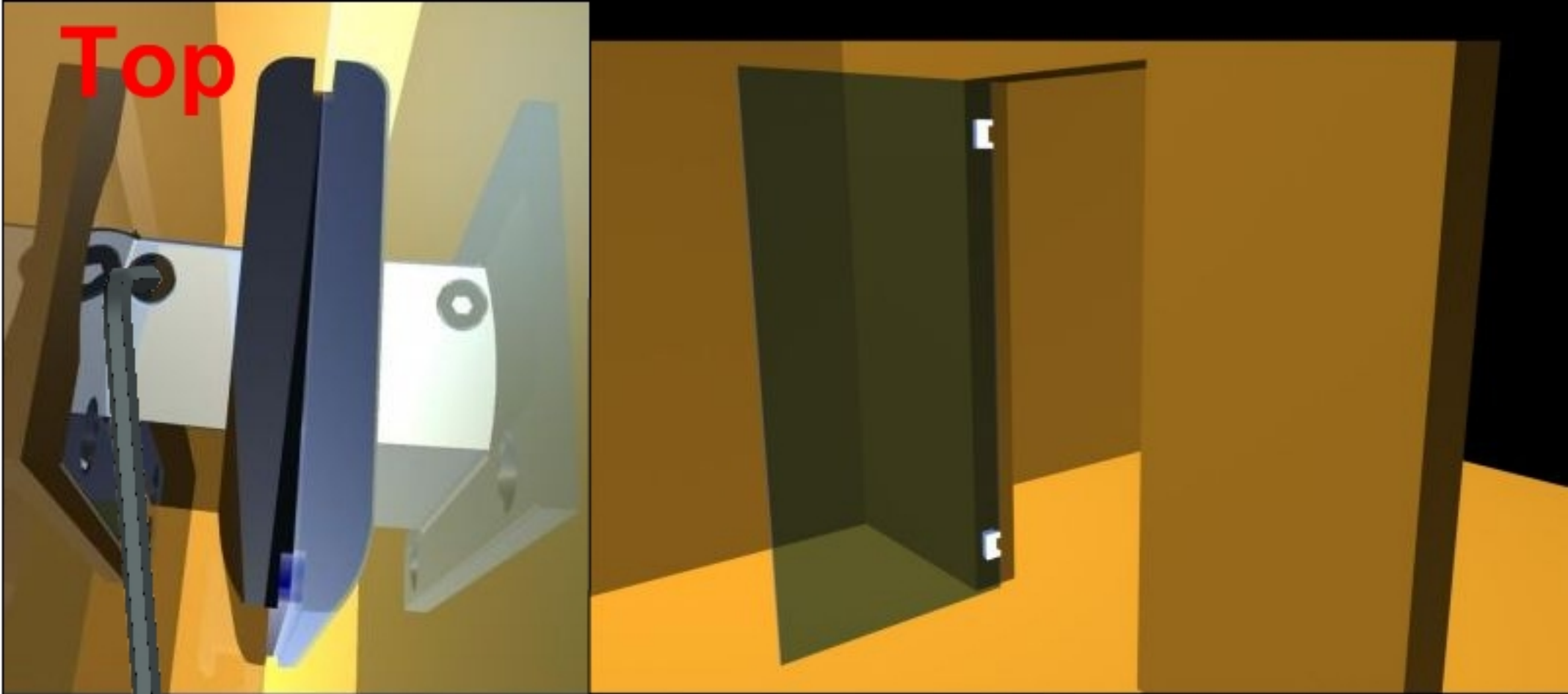
Position the door with the appropriate dowels.



The oil-pressure hinges are supplied with the control valves completely closed (once the door is mounted, it will not in fact be able to close) In order for the valves to function at their best it is necessary that they are well synchronised. To obtain this result it is fundamental to adhere to the following procedure:

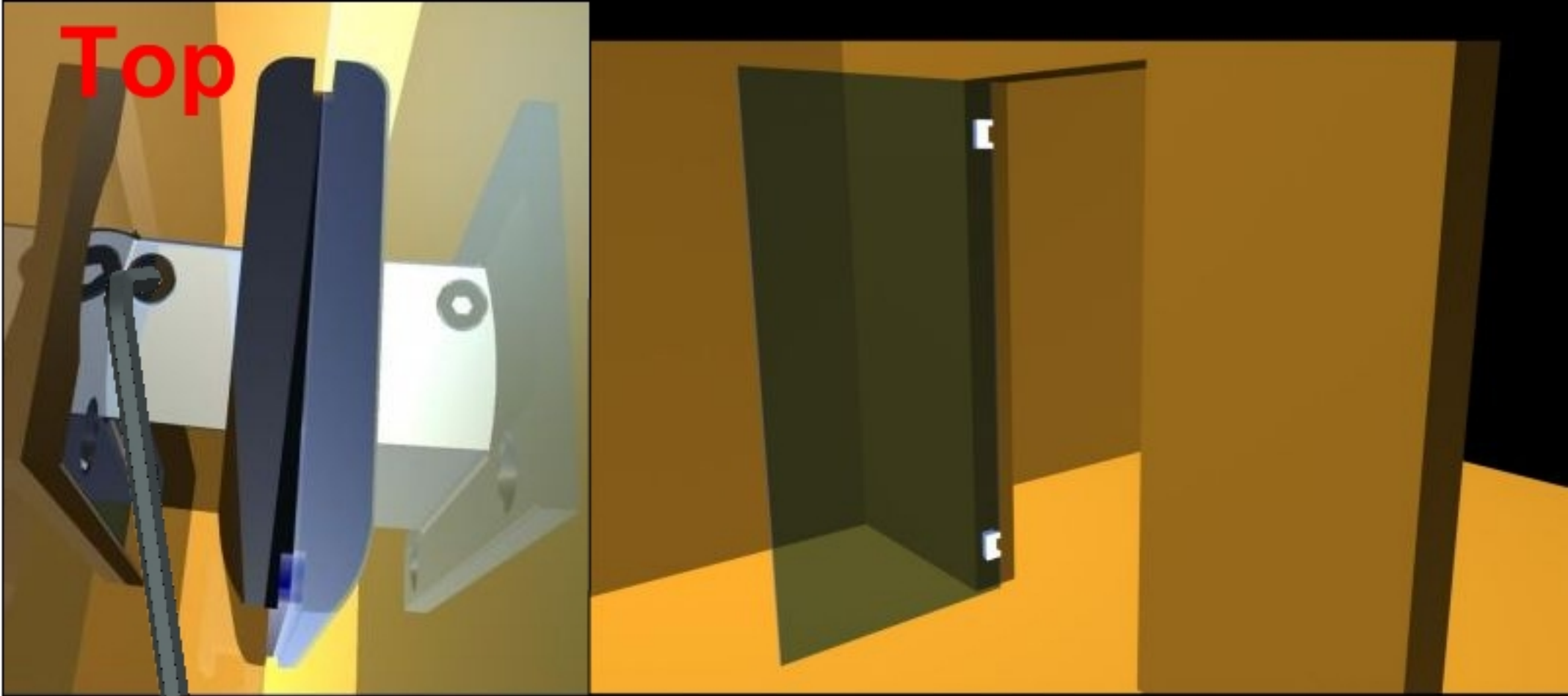
- 1) Place the door in a 90°**

Top



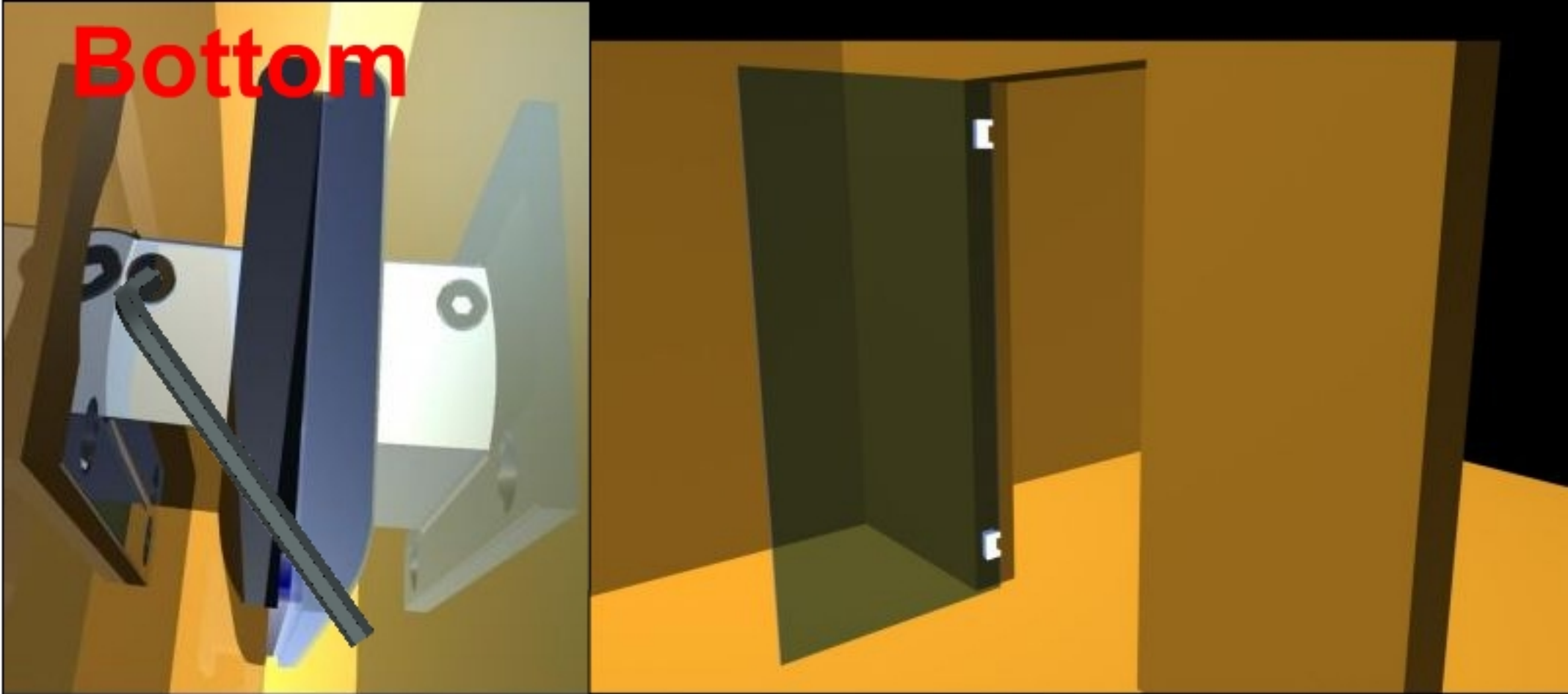
2a) Screw out 1/4 turn the valve of top hinge. Close the door about 10°/15° and make sure that it starts closing automatically.

Top



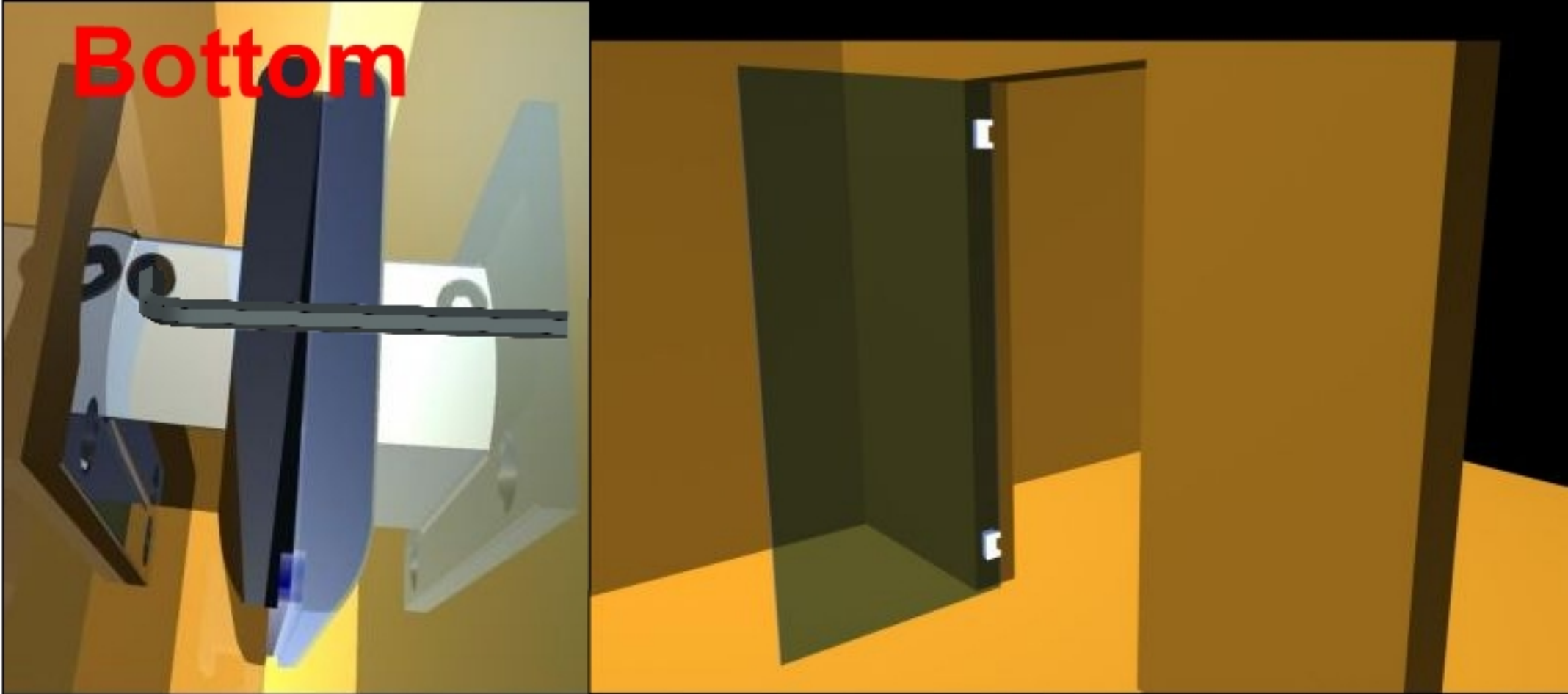
2b) Continue to open or close the valve till you obtain the desired closing speed.

Bottom



3a) Using the valve control of the bottom hinge, check that the closing speed increases.

Bottom



3b) This done, close again a little bit the same valve till you obtain the desired closing speed.



WARNING

To check the both hinges have been installed correctly, open the door **BEFORE IT CLOSES**, making sure that neither of the hinges make a noise. In the event that one of the hinges makes a noise, it will be necessary to intervene by lightly loosening the valve to align it with the silent hinge. The noisy hinge is the one with the slower adjustment in relation to the other one. It will be at the discretion of the installer whether to slightly open the noisy hinge or whether to slightly close the silent hinge in order to correctly align them.