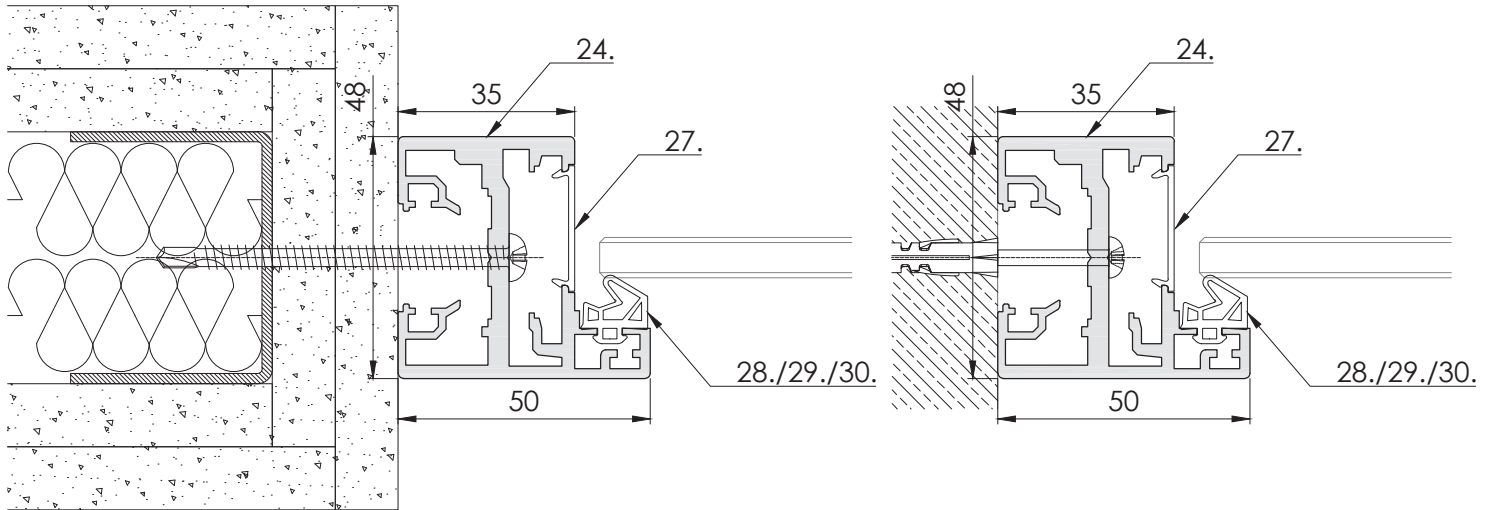


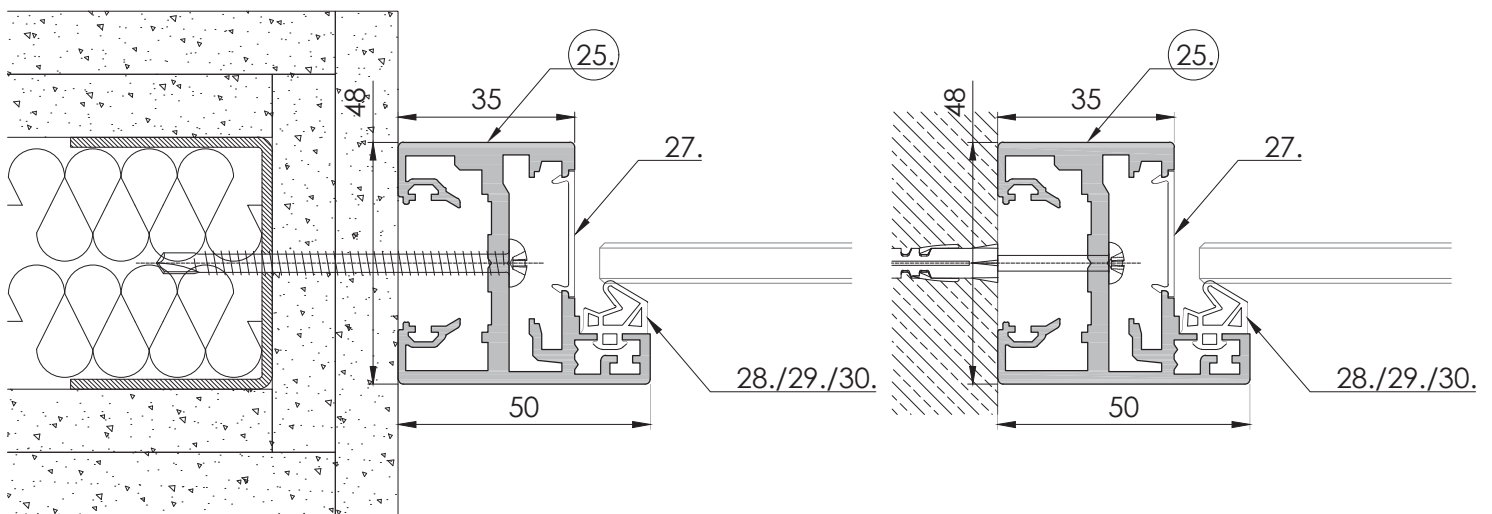
Section 5.1. GSW Office H door frame connection with the wall

| No. | ID number | Description |
|-----|--------------|--|
| 24. | 4.200.112.0- | Frame profile GSW Office H |
| 25. | 4.202.116.0- | Frame profile GSW Office H with VSG 88.2 glass |
| 27. | 4.300.000.0- | Cover profile GSW Office H |
| 28. | 4.400.008.4- | Rebate gasket GSW Office ESG 8 glass |
| 29. | 4.400.010.4- | Rebate gasket GSW Office ESG 10 glass |
| 30. | 4.400.034.4- | Rebate gasket GSW Office aluminium and wooden door |

Glass
10-12.76



Glass
16.76

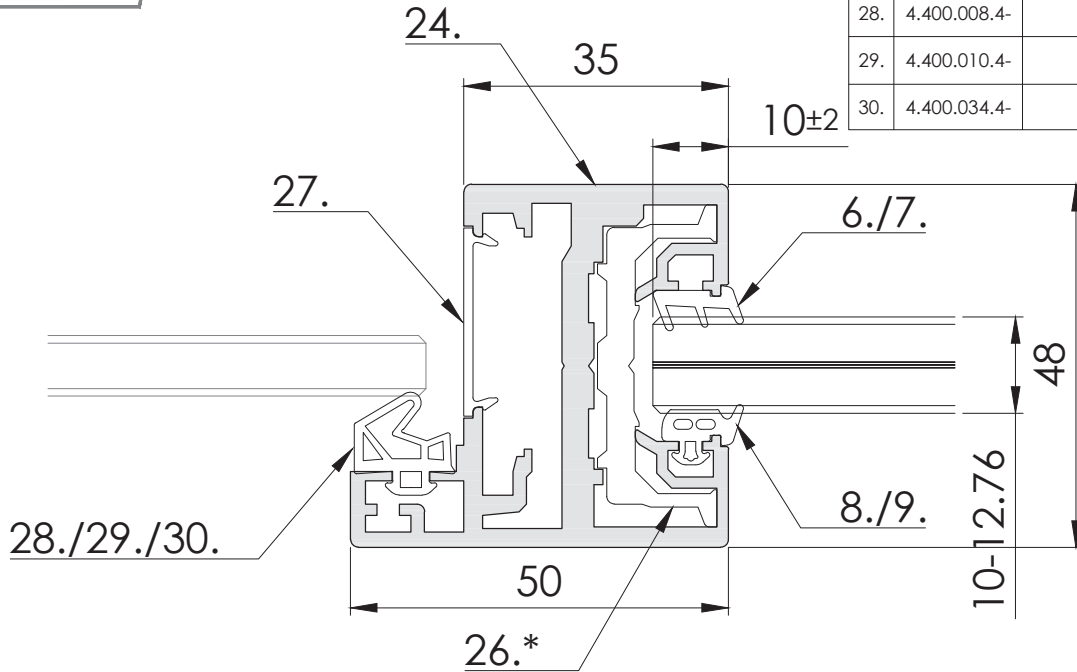


* drawing shows an example of door leaf

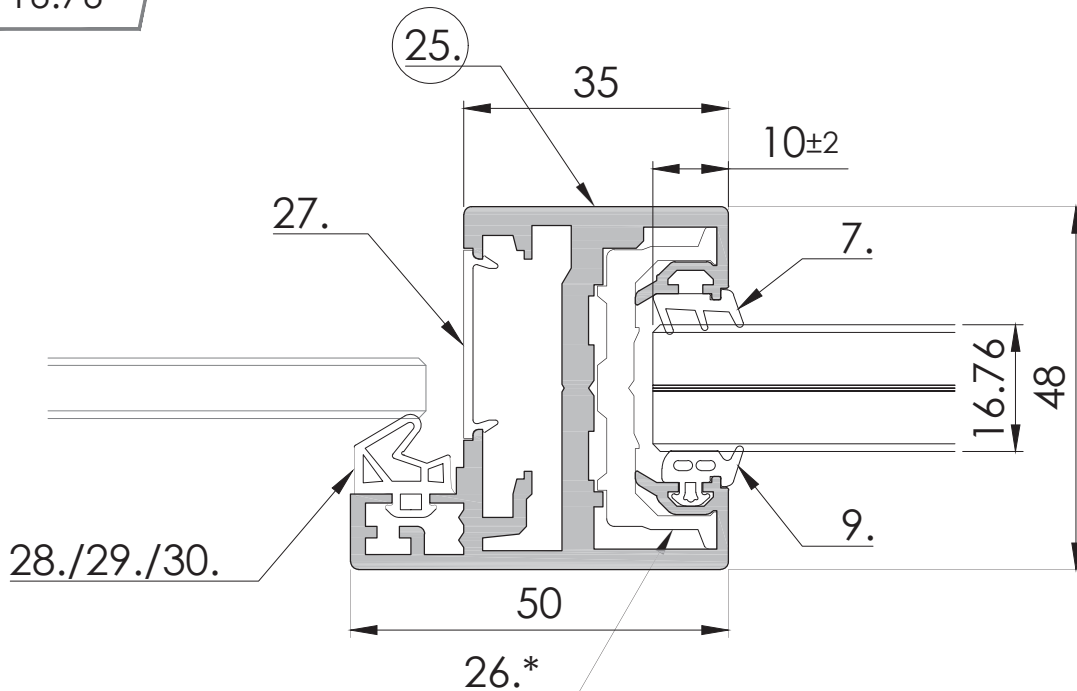
Section 5.2. GSW Office H door frame connection with the glass wall

| No. | ID number | Description |
|-----|--------------|---|
| 6. | 3.700.010.4- | Gasket GSW Office ESG 10, VSG 55.1, VSG 55.2 glass |
| 7. | 3.700.012.4- | Gasket GSW Office ESG 12, VSG 66.1, VSG 66.2, VSG 88.2 glass |
| 8. | 3.720.010.4- | Gasket GSW Office with anchor ESG 10, VSG 55.1, VSG 55.2 glass |
| 9. | 3.720.012.4- | Gasket GSW Office with anchor ESG 12, VSG 66.1, VSG 66.2, VSG 88.2 glass |
| 24. | 4.200.112.0- | Frame profile GSW Office H |
| 25. | 4.202.116.0- | Frame profile GSW Office H with VSG 88.2 glass |
| 26. | 4.210.000.00 | Frame reinforcement profile GSW Office H |
| 27. | 4.300.000.0- | Cover profile GSW Office H |
| 28. | 4.400.008.4- | Rebate gasket GSW Office ESG 8 glass |
| 29. | 4.400.010.4- | Rebate gasket GSW Office ESG 10 glass |
| 30. | 4.400.034.4- | Rebate gasket GSW Office aluminium and wooden door |

Glass
10-12.76



Glass
16.76



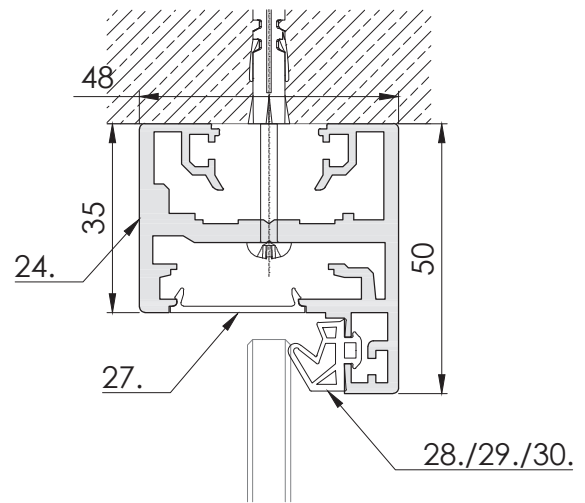
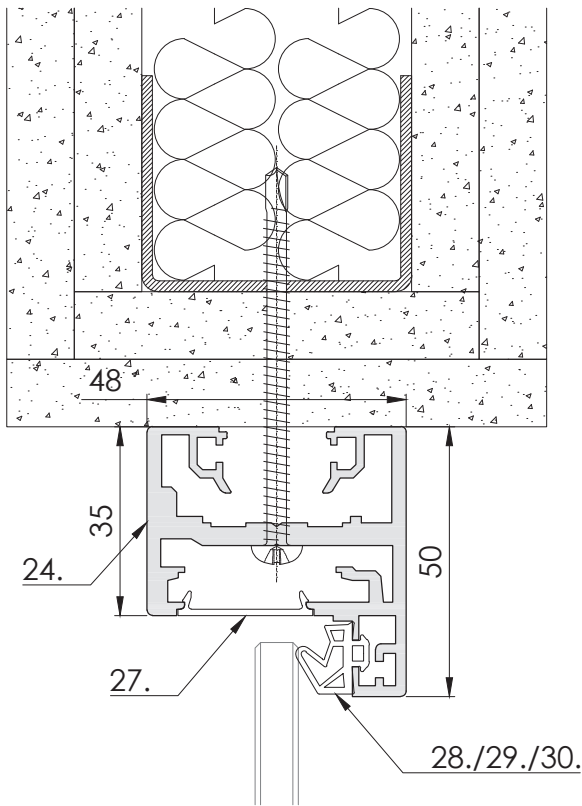
* recommended for door frames higher than 2500 mm and always when the access control system is used, to strengthen construction of door frame

** drawing shows an example of door leaf

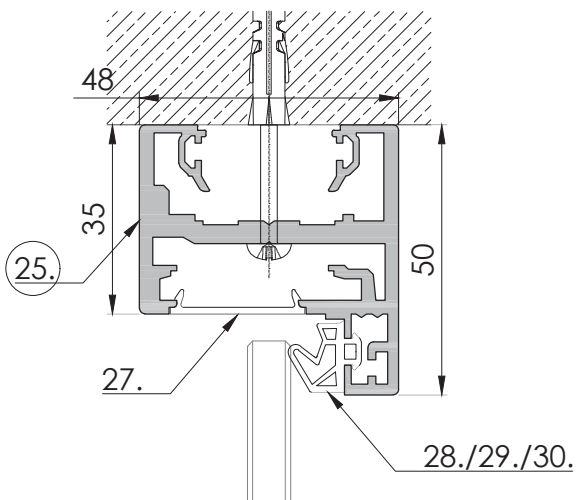
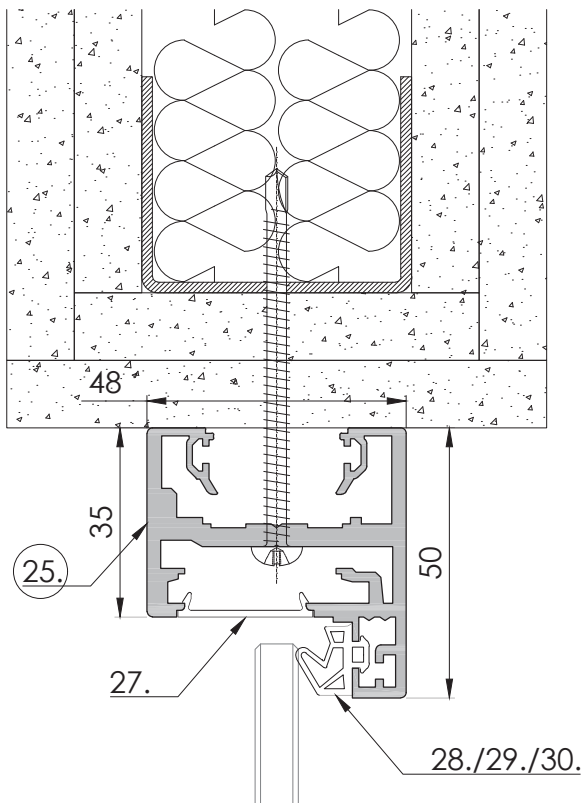
Section 5.3. GSW Office H door frame connection with the lintel

| No. | ID number | Description |
|-----|--------------|--|
| 24. | 4.200.112.0- | Frame profile GSW Office H |
| 25. | 4.202.116.0- | Frame profile GSW Office H with VSG 88.2 glass |
| 27. | 4.300.000.0- | Cover profile GSW Office H |
| 28. | 4.400.008.4- | Rebate gasket GSW Office ESG 8 glass |
| 29. | 4.400.010.4- | Rebate gasket GSW Office ESG 10 glass |
| 30. | 4.400.034.4- | Rebate gasket GSW Office aluminium and wooden door |

Glass
10-12.76



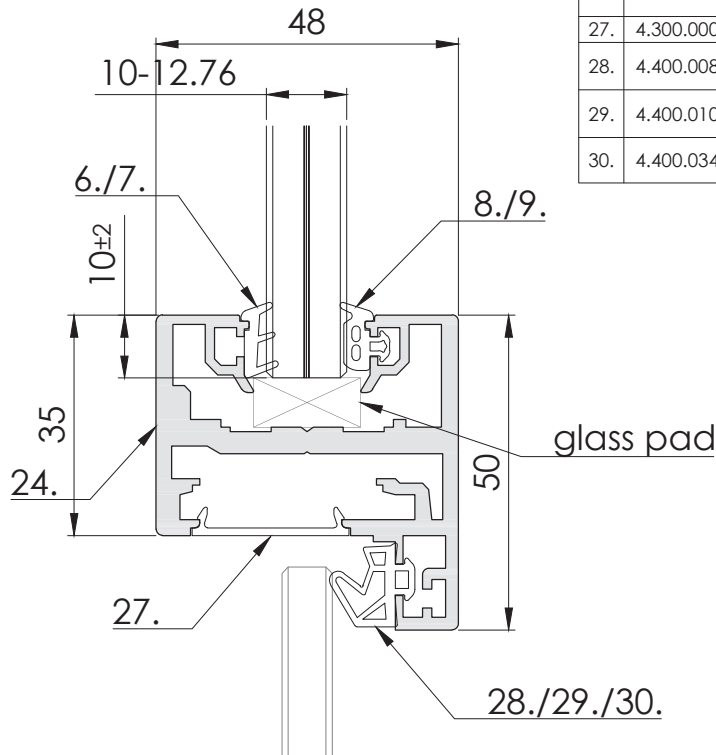
Glass
16.76



* drawing shows an example of door leaf

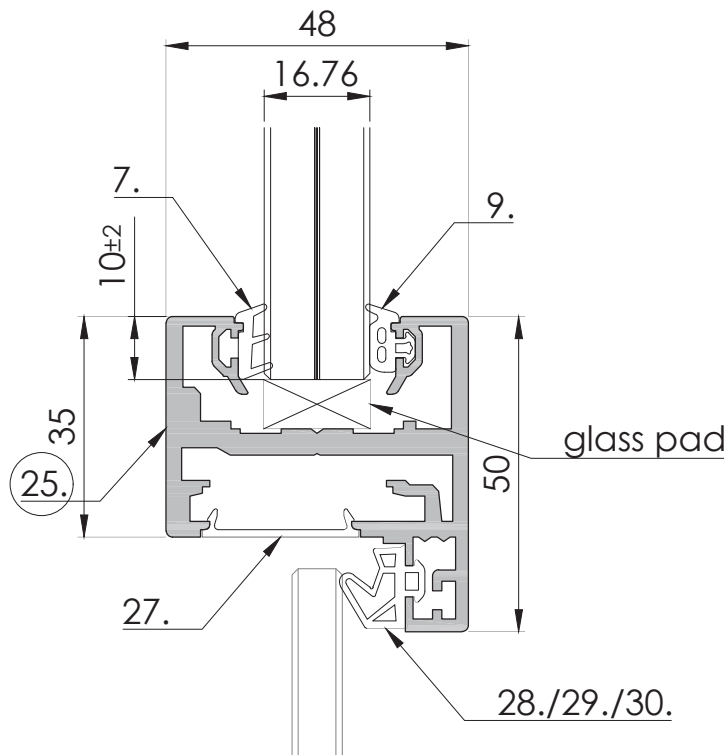
Section 5.4. GSW Office H door frame connection with the glass fanlight

Glass
10-12.76



| No. | ID number | Description |
|-----|--------------|---|
| 6. | 3.700.010.4- | Gasket GSW Office ESG 10, VSG 55.1, VSG 55.2 glass |
| 7. | 3.700.012.4- | Gasket GSW Office ESG 12, VSG 66.1, VSG 66.2, VSG 88.2 glass |
| 8. | 3.720.010.4- | Gasket GSW Office with anchor ESG 10, VSG 55.1, VSG 55.2 glass |
| 9. | 3.720.012.4- | Gasket GSW Office with anchor ESG 12, VSG 66.1, VSG 66.2, VSG 88.2 glass |
| 24. | 4.200.112.0- | Frame profile GSW Office H |
| 25. | 4.202.116.0- | Frame profile GSW Office H with VSG 88.2 glass |
| 27. | 4.300.000.0- | Cover profile GSW Office H |
| 28. | 4.400.008.4- | Rebate gasket GSW Office ESG 8 glass |
| 29. | 4.400.010.4- | Rebate gasket GSW Office ESG 10 glass |
| 30. | 4.400.034.4- | Rebate gasket GSW Office aluminium and wooden door |

Glass
16.76

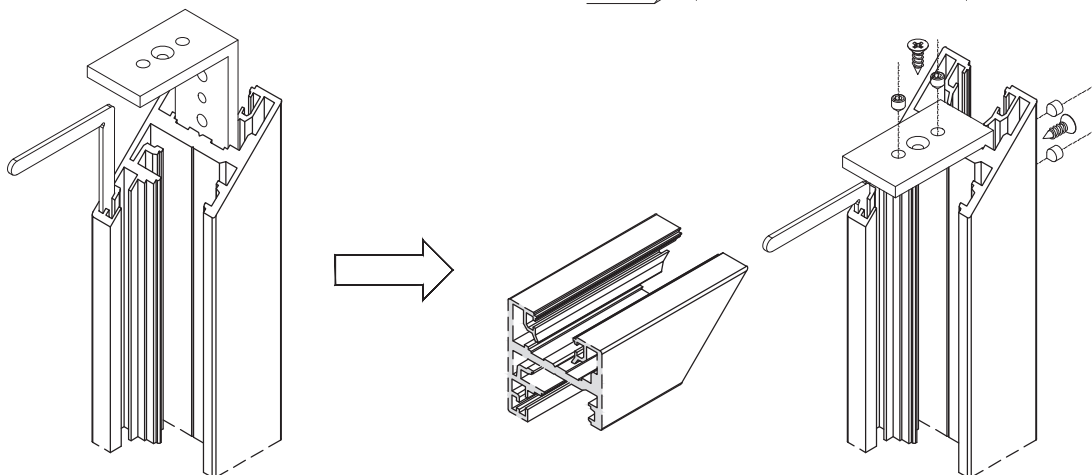
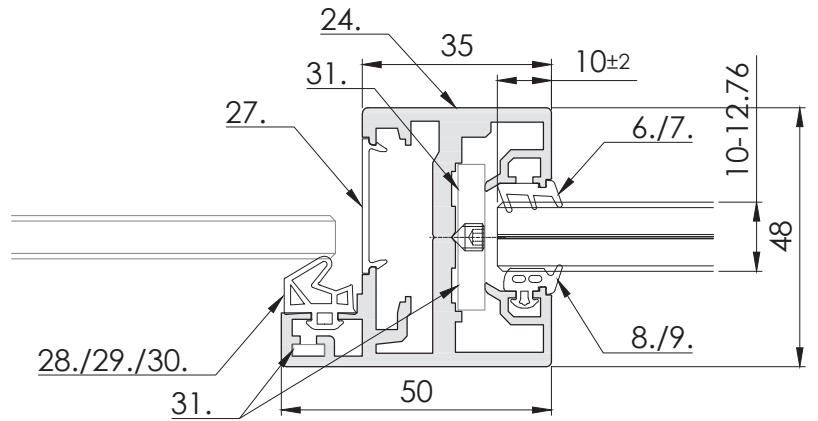
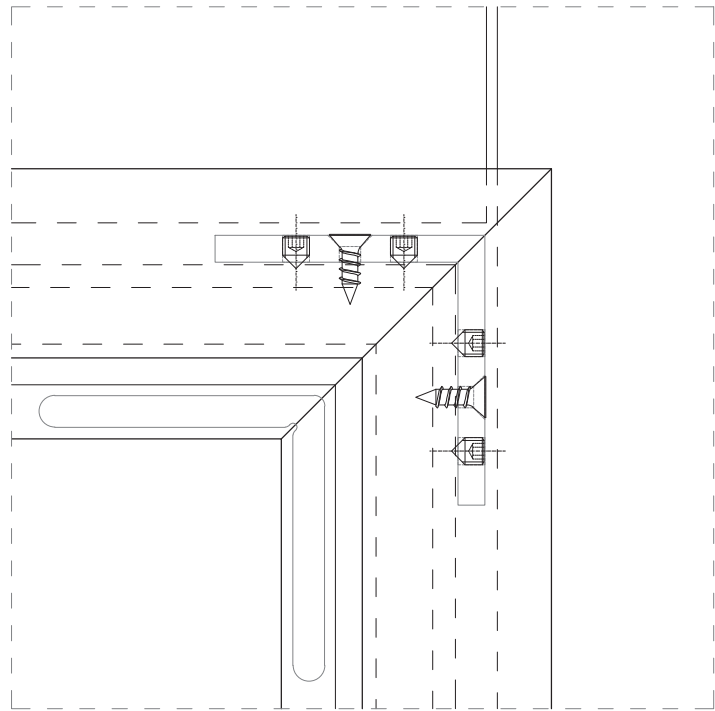
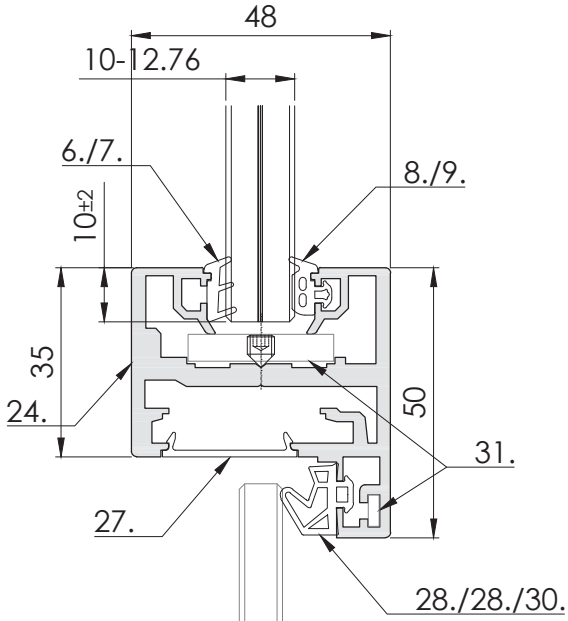


* drawing shows an example of door leaf

Detail 5.5a. GSW Office H door frame corner

Glass
10-12.76

| No. | ID number | Description |
|-----|--------------|---|
| 6. | 3.700.010.4- | Gasket GSW Office ESG 10, VSG 55.1, VSG 55.2 glass |
| 7. | 3.700.012.4- | Gasket GSW Office ESG 12, VSG 66.1, VSG 66.2, VSG 88.2 glass |
| 8. | 3.720.010.4- | Gasket GSW Office with anchor ESG 10, VSG 55.1, VSG 55.2 glass |
| 9. | 3.720.012.4- | Gasket GSW Office with anchor ESG 12, VSG 66.1, VSG 66.2, VSG 88.2 glass |
| 24. | 4.200.112.0- | Frame profile GSW Office H |
| 27. | 4.300.000.0- | Cover profile GSW Office H |
| 28. | 4.400.008.4- | Rebate gasket GSW Office ESG 8 glass |
| 29. | 4.400.010.4- | Rebate gasket GSW Office ESG 10 glass |
| 30. | 4.400.034.4- | Rebate gasket GSW Office aluminium and wooden door |
| 31. | 4.500.000.00 | Corner joints |

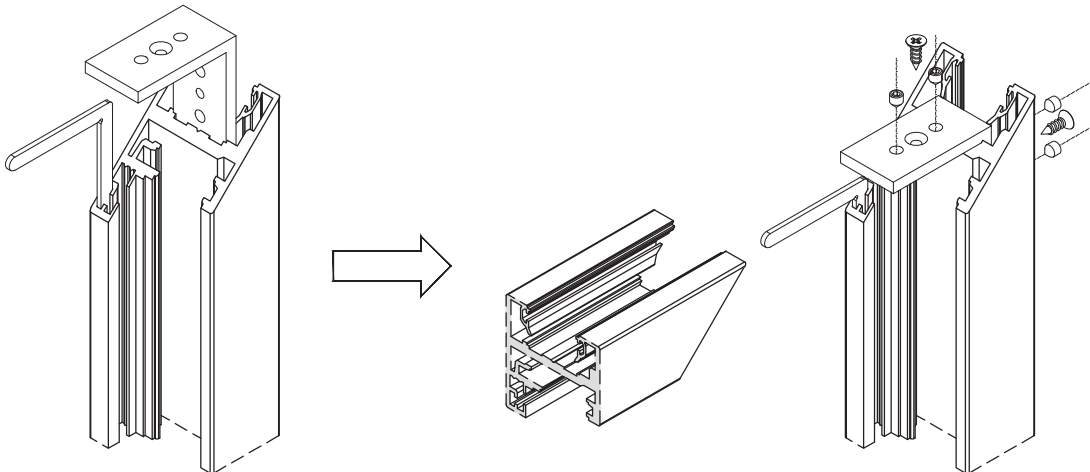
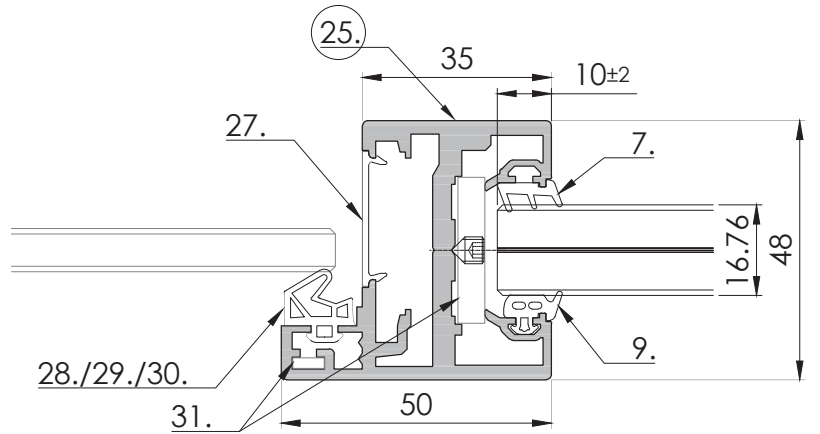
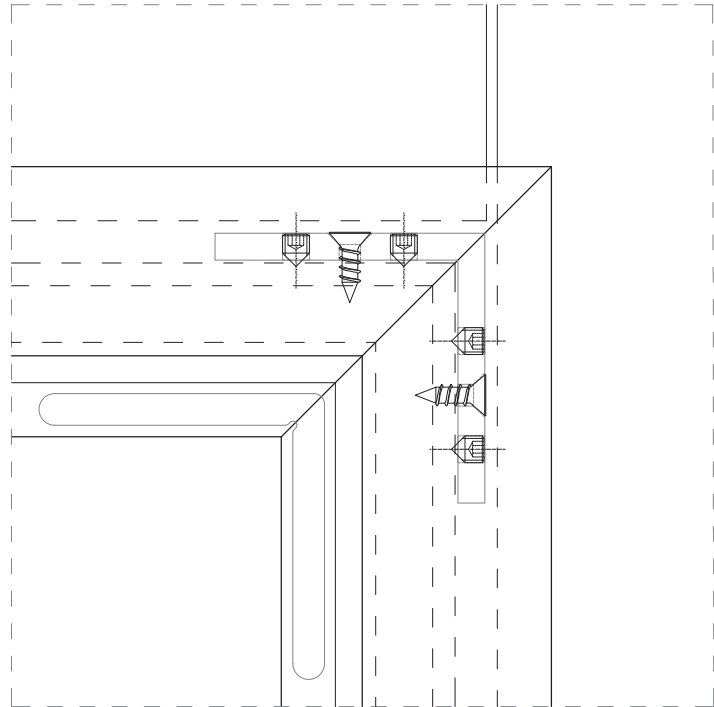
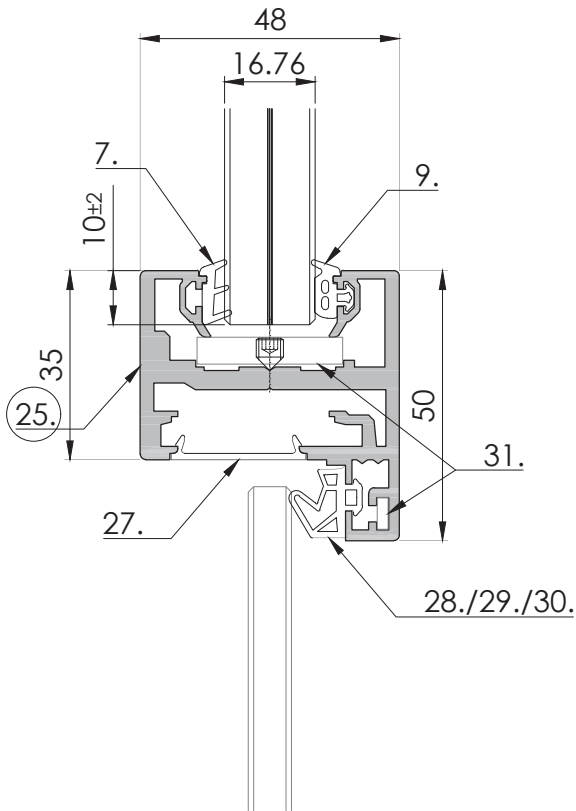


* drawing shows an example of door leaf

Detail 5.5b. GSW Office H door frame corner

Glass
16.76

| No. | ID number | Description |
|-----|--------------|---|
| 7. | 3.700.012.4- | Gasket GSW Office ESG 12, VSG 66.1, VSG 66.2, VSG 88.2 glass |
| 9. | 3.720.012.4- | Gasket GSW Office with anchor ESG 12, VSG 66.1, VSG 66.2, VSG 88.2 glass |
| 25. | 4.202.116.0- | Frame profile GSW Office H with VSG 88.2 glass |
| 27. | 4.300.000.0- | Cover profile GSW Office H |
| 28. | 4.400.008.4- | Rebate gasket GSW Office ESG 8 glass |
| 29. | 4.400.010.4- | Rebate gasket GSW Office ESG 10 glass |
| 30. | 4.400.034.4- | Rebate gasket GSW Office aluminium and wooden door |
| 31. | 4.500.000.00 | Corner joints |



* drawing shows an example of door leaf