

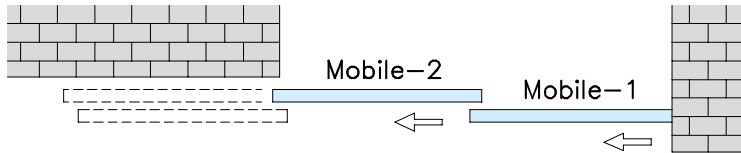
SLAK-T *system*

vedi sotto - check below

Porte - Doors

Applicazioni - Applications

B05E52 PARETE/SOFFITTO - 2 ante mobili • WALL/CEILING - 2 moving glazings



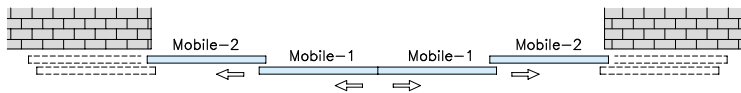
Parete - Wall

70 Kg
154 lbs **1300mm Max**
51.18" Max

Parete/soffitto - Wall/ceiling

90 Kg
198 lbs **1400mm Max**
55.12" Max

B05E54 PARETE/SOFFITTO - 4 ante mobili • WALL/CEILING - 4 moving glazings



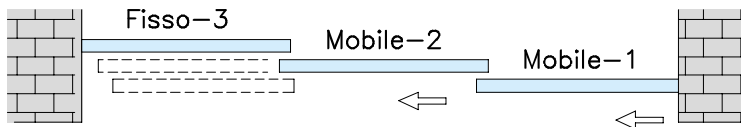
Parete - Wall

70 Kg
154 lbs **1300mm Max**
51.18" Max

Parete/soffitto - Wall/ceiling

90 Kg
198 lbs **1400mm Max**
55.12" Max

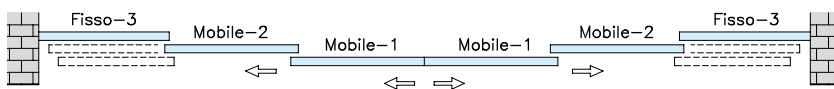
B05E73 SOFFITTO - 3 ante : 2 mobili e 1 fissa • CEILING - 3 glazings : 2 moving and 1 fixed



Soffitto - Ceiling

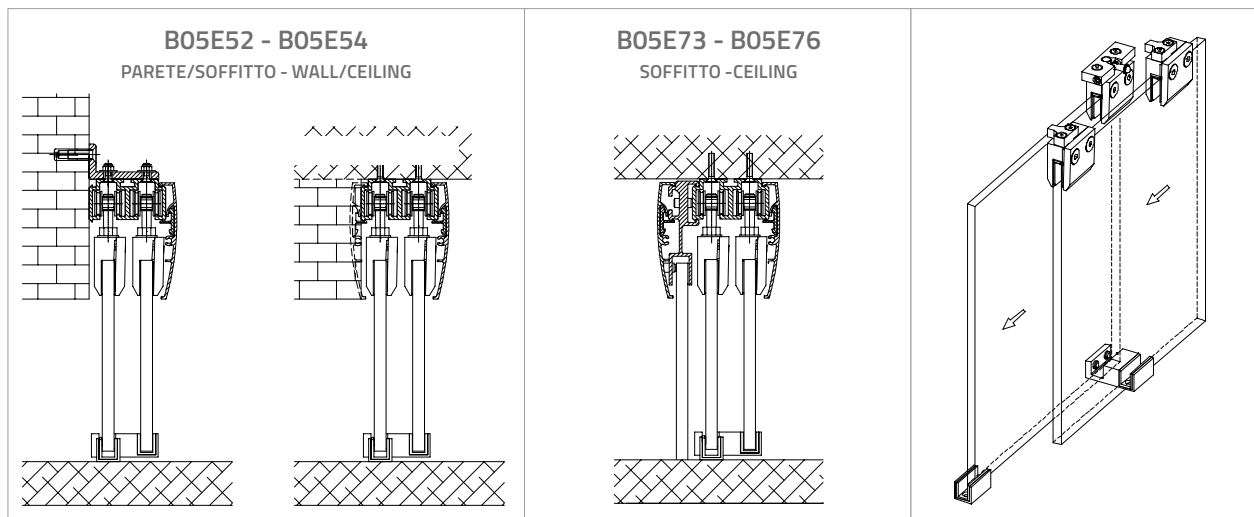
90 Kg
198 lbs **1400mm Max**
55.12" Max

B05E73 SOFFITTO - 3 ante : 2 mobili e 1 fissa • CEILING - 3 glazings : 2 moving and 1 fixed



Soffitto - Ceiling

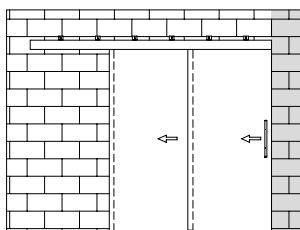
90 Kg
198 lbs **1400mm Max**
55.12" Max



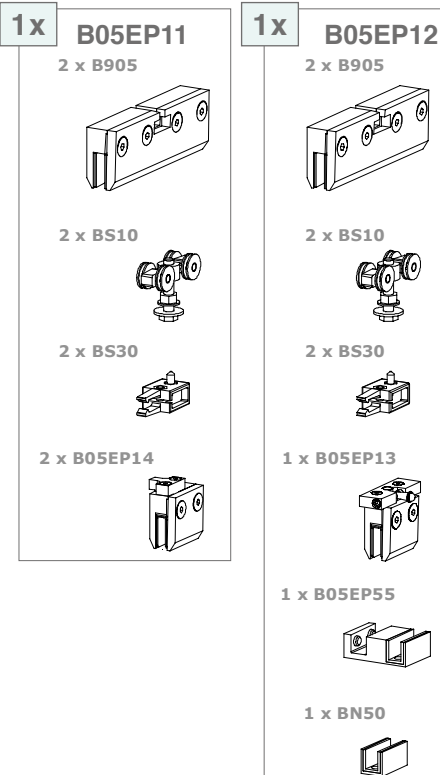
B05E52 SLAK-T system



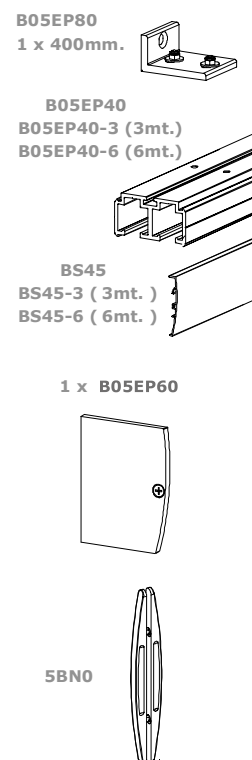
- Set Slak-T scorrevole telescopico. Versione a soffitto/parete. 2 ante mobili.
- kit slak-t telescópico – corredero. Versión de techo/pared. 2 puertas correderas
- Slak-T set. Telescopic sliding. Ceiling/wall version. 2 moving glazings.
- Set Slak-T. Teleskopisches Schiebesystem. Decke-,Wandvariante. 2 beweglichen Türflügel.
- Kit Slak-T coulissant télescopique. Version plafond/mur. 2 vantaux.



Compresso / Included



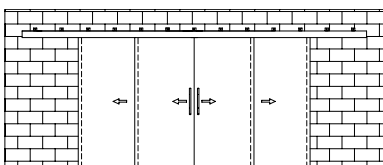
Non compreso / Not included



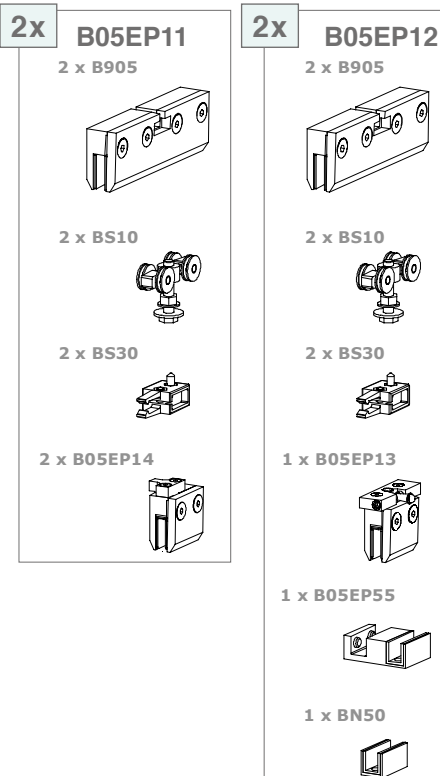
B05E54 SLAK-T system



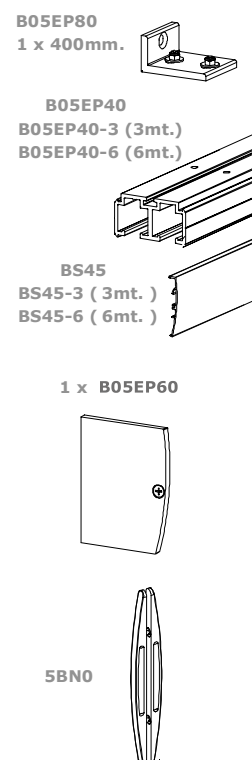
- Set Slak-T scorrevole telescopico. Versione a soffitto/parete. 4 ante mobili.
- kit slak-t telescópico – corredero. Versión de techo/pared. 4 puertas correderas
- Slak-T set. Telescopic sliding. Ceiling/wall version. 4 moving glazings.
- Set Slak-T. Teleskopisches Schiebesystem. Decke-,Wandvariante. 4 beweglichen Türflügel.
- Kit Slak-T coulissant télescopique. Version plafond/mur. 4 vantaux.



Compresso / Included



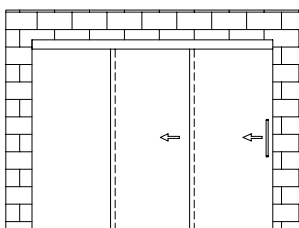
Non compreso / Not included



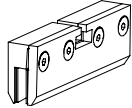


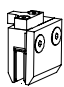
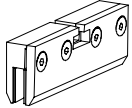

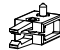
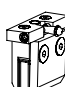
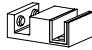
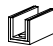
B05E73 SLAK-T system



- Set Slak-T scorrevole telescopico. Versione a soffitto. 3 ante: 2 mobili e 1 fissa.
- kit slak-t telescópico – corredero. Versión de techo. Tres puertas: 2 correderas y 1 fija
- Slak-T set. Telescopic sliding. Ceiling version. 3 glazings: 2 moving and 1 fixed.
- Set Slak-T. Teleskopisches Schiebesystem. Deckevariante. 3 Türflügel: 2 beweglich und 1 fest
- Kit Slak-T coulissant télescopique. Version plafond. 3 vantaux: 2 mobiles et un fixe.

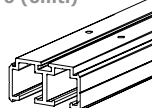


Compresso / Included

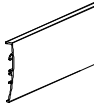
<p>1x B05EP11 2 x B905</p>  <p>2 x BS10</p>  <p>2 x BS30</p>  <p>2 x B05EP14</p> 	<p>1x B05EP12 2 x B905</p>  <p>2 x BS10</p>  <p>2 x BS30</p>  <p>1 x B05EP13</p>  <p>1 x B05EP55</p>  <p>1 x BN50</p> 
--	--

Non compreso / Not included

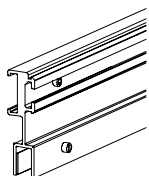
B05EP40
B05EP40-3 (3mt.)
B05EP40-6 (6mt.)




BS45
BS45-3 (3mt.)
BS45-6 (6mt.)



3 x BS70



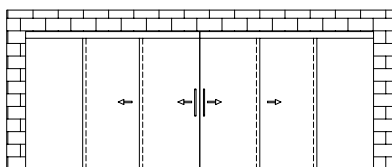
5BN0



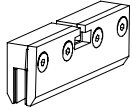


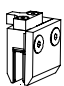
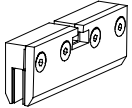


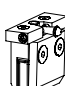
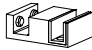
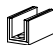
B05E76 SLAK-T system



- Set Slak-T scorrevole telescopico. Versione a soffitto. 6 ante: 4 mobili e 2 fisse.
- kit slak-t telescópico – corredero. Versión de techo. Seis puertas: 4 correderas y 2 fijas
- Slak-T set. Telescopic sliding. Ceiling version. 6 glazings: 4 moving and 2 fixed.
- Set Slak-T. Teleskopisches Schiebesystem. Deckevariante. 6 Türflügel: 4 beweglich und 2 feste.
- Kit Slak-T coulissant télescopique. Version plafond. 6 vantaux: 4 mobiles et 2 fixes.

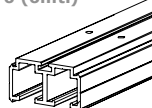


Compresso / Included

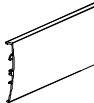
<p>2x B05EP11 2 x B905</p>  <p>2 x BS10</p>  <p>2 x BS30</p>  <p>2 x B05EP14</p> 	<p>2x B05EP12 2 x B905</p>  <p>2 x BS10</p>  <p>2 x BS30</p>  <p>1 x B05EP13</p>  <p>1 x B05EP55</p>  <p>1 x BN50</p> 
--	---

Non compreso / Not included

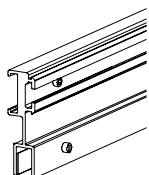
B05EP40
B05EP40-3 (3mt.)
B05EP40-6 (6mt.)




BS45
BS45-3 (3mt.)
BS45-6 (6mt.)



3 x BS70

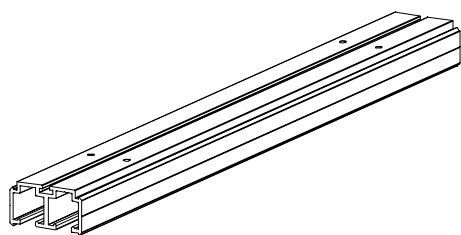
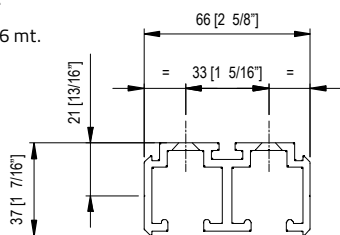


5BN0



B05EP40 SLAK-T system

- Binario a 2 vie L = 3/6 mt.
- Binario de dos vias L = 3/6 mt.
- 2-ways rail L = 3/6 mt.
- 2-wege Schiene L = 3/6 mt.
- Rail double L=3/6 m.

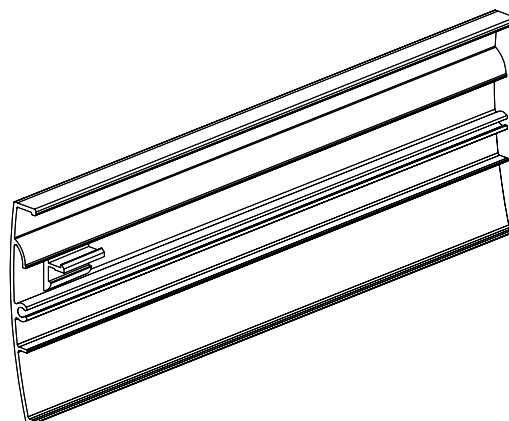
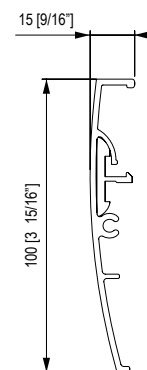


$$L \text{ barra} = L \text{ vano} + 100 + \left(\frac{L \text{ vano}}{n^\circ \text{ vetri}} \right)$$

$$L \text{ bar} = L \text{ space} + 100 + \left(\frac{L \text{ space}}{n^\circ \text{ glasses}} \right)$$

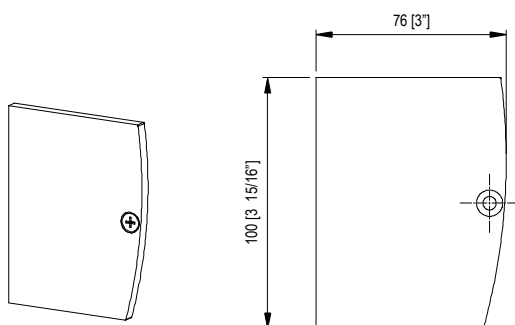
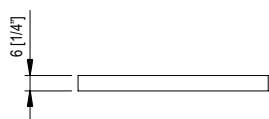
BS45 SLAK-T system

- Veletta Slak L = 3/6 mt.
- Cárter "Slak" L = 3/6 mt.
- Slak spandrel panel. L = 3/6 mt.
- Anlauf Slak. L = 3/6 mt.
- Capot d'habillage Slak L=3/6 m.



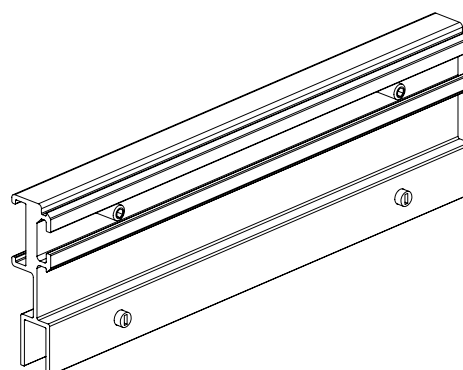
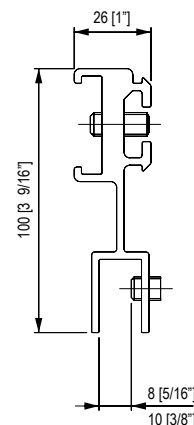
B05EP60 SLAK-T system

- Tappo binario a due vie.
- Tapa por carril de dos vias.
- Cap for 2-ways rail.
- Deckel für 2-wege Schiene.
- Capot extrémité Slak-T.



BS70 SLAK-T system

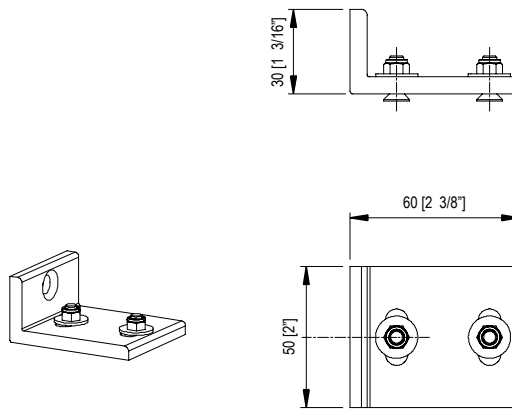
- Supporto Slak per vetro fisso L=300mm.
- Soporte Slak para vidrio fijo L=300mm.
- Slak support for fixed glass. L=300mm.
- Slak Schiene für feste Gehäuse L=300mm.
- Support Slak pour verre fixe L=300mm.



B05E73 SLAK-T system



- Staffa di fissaggio a parete. Una ogni 400mm.
- Abrazadera de ajuste a pared. Una pieza, cada 400mm.
- Wall fixing plate. One each 400mm.
- Wandbefestigungsplatte. Eine jede 400mm.
- Plaque de fixation apparente. Une tous les 400 mm.

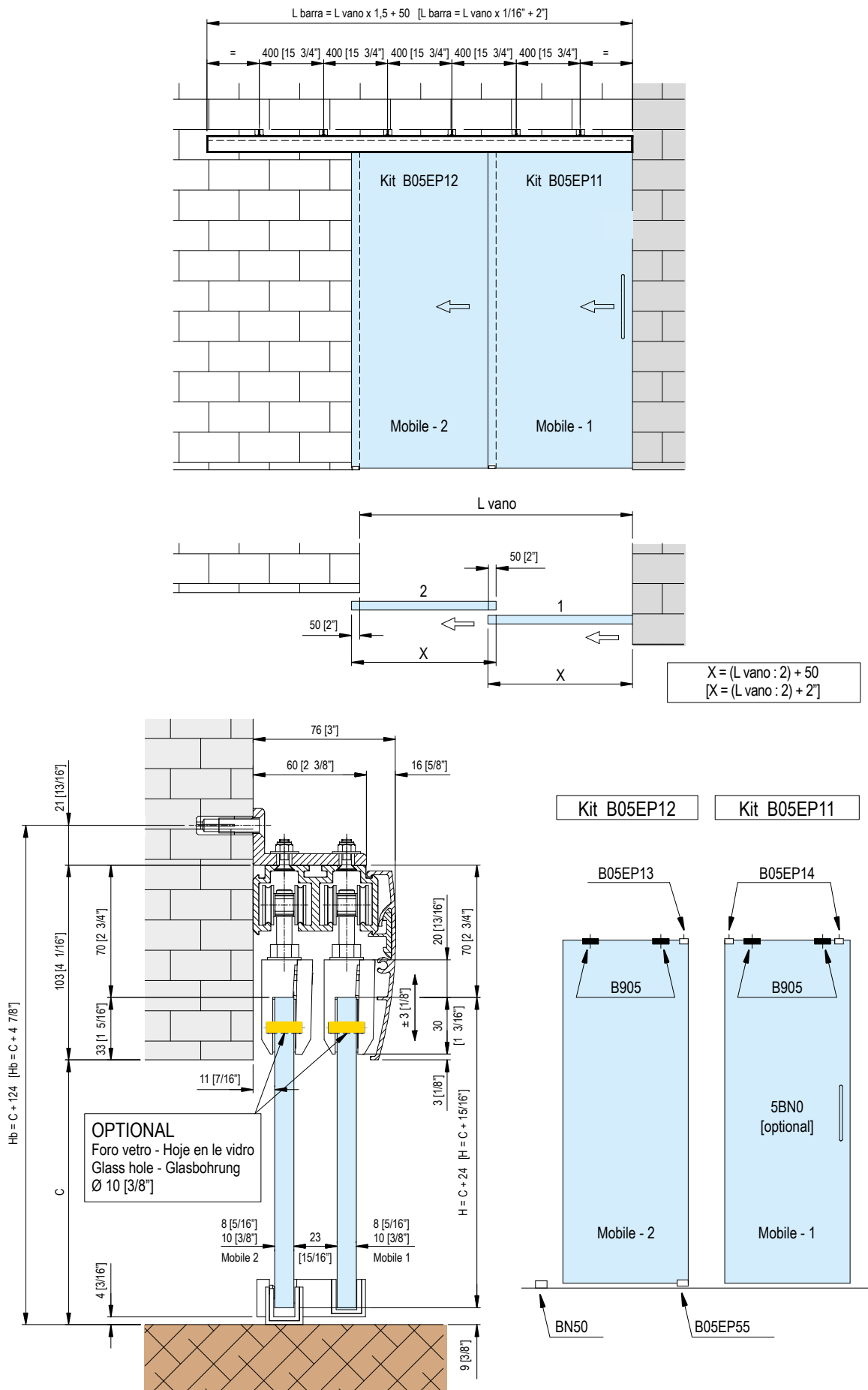


	1000 mm 39.37"		75kg 165lbs
B905 STANDARD			

	1000÷1200mm 39.37"to 47.24"		120kg 264lbs
B905 + OPTIONALS			

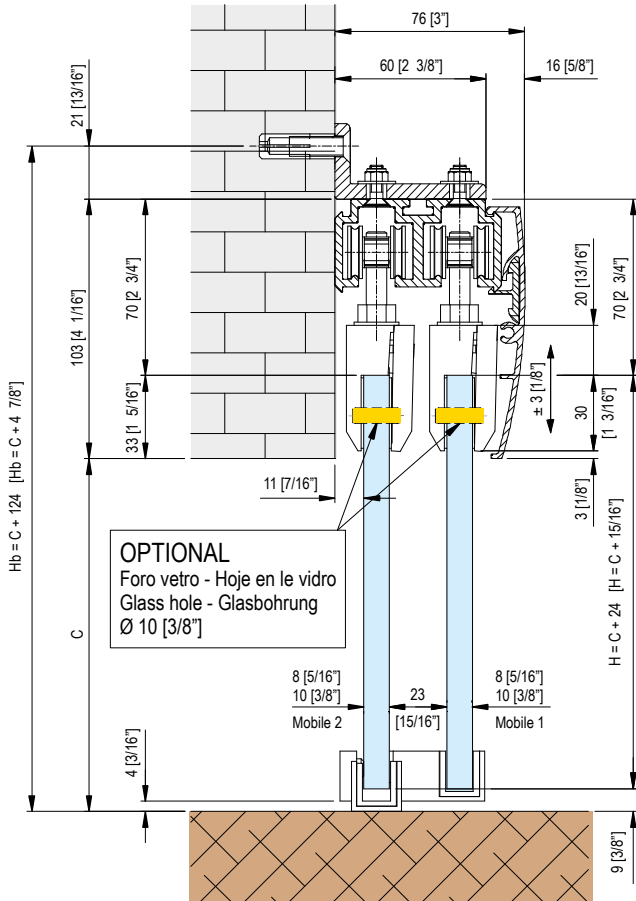
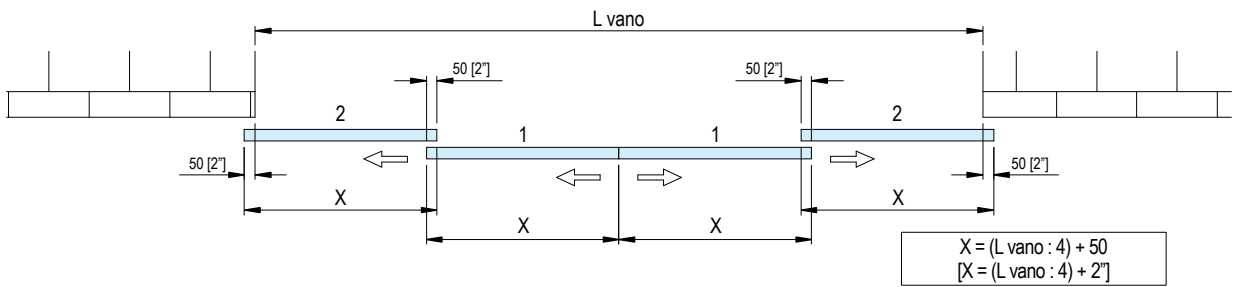
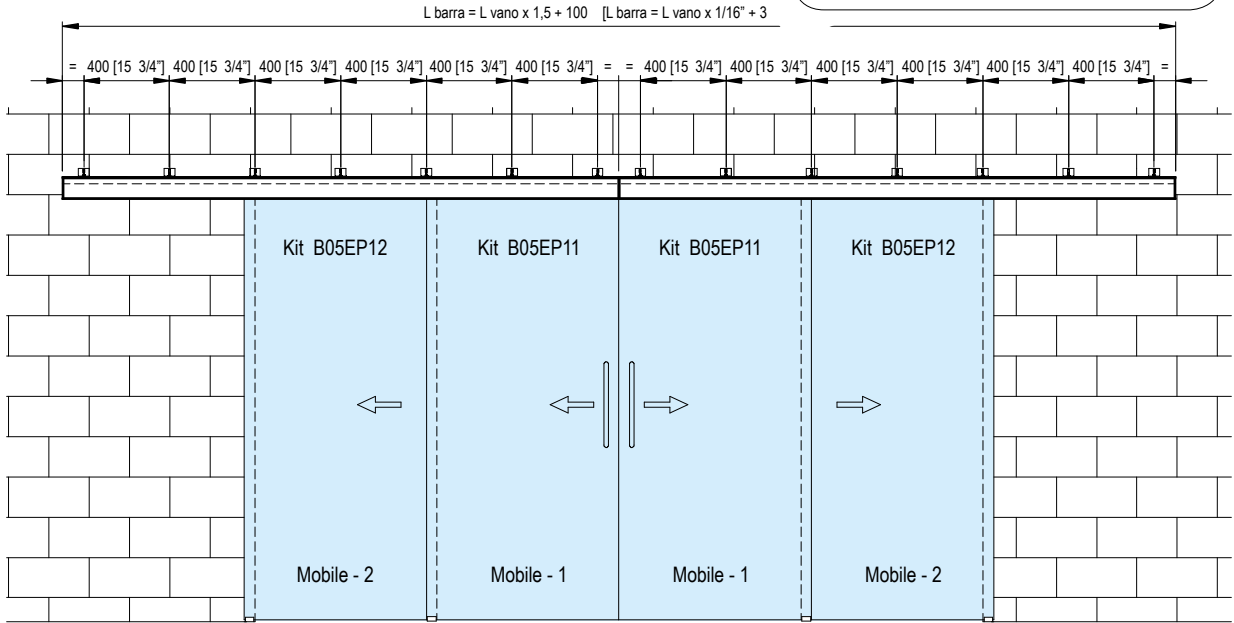
	>1200 mm 47.24"		>120kg >264lbs
+N B905 + OPTIONALS			

B05E52 SLAK-T system

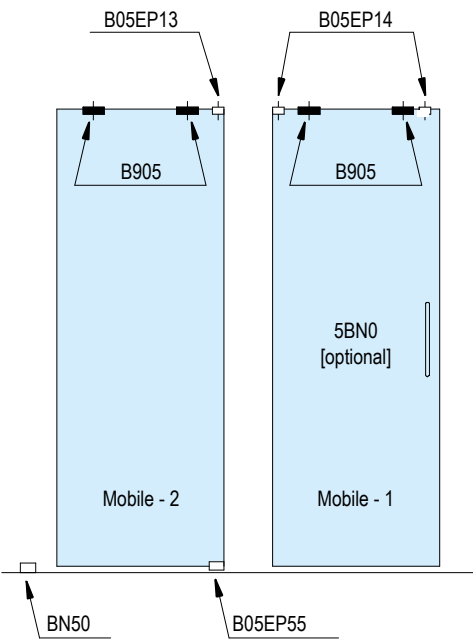


B05E54 SLAK-T system

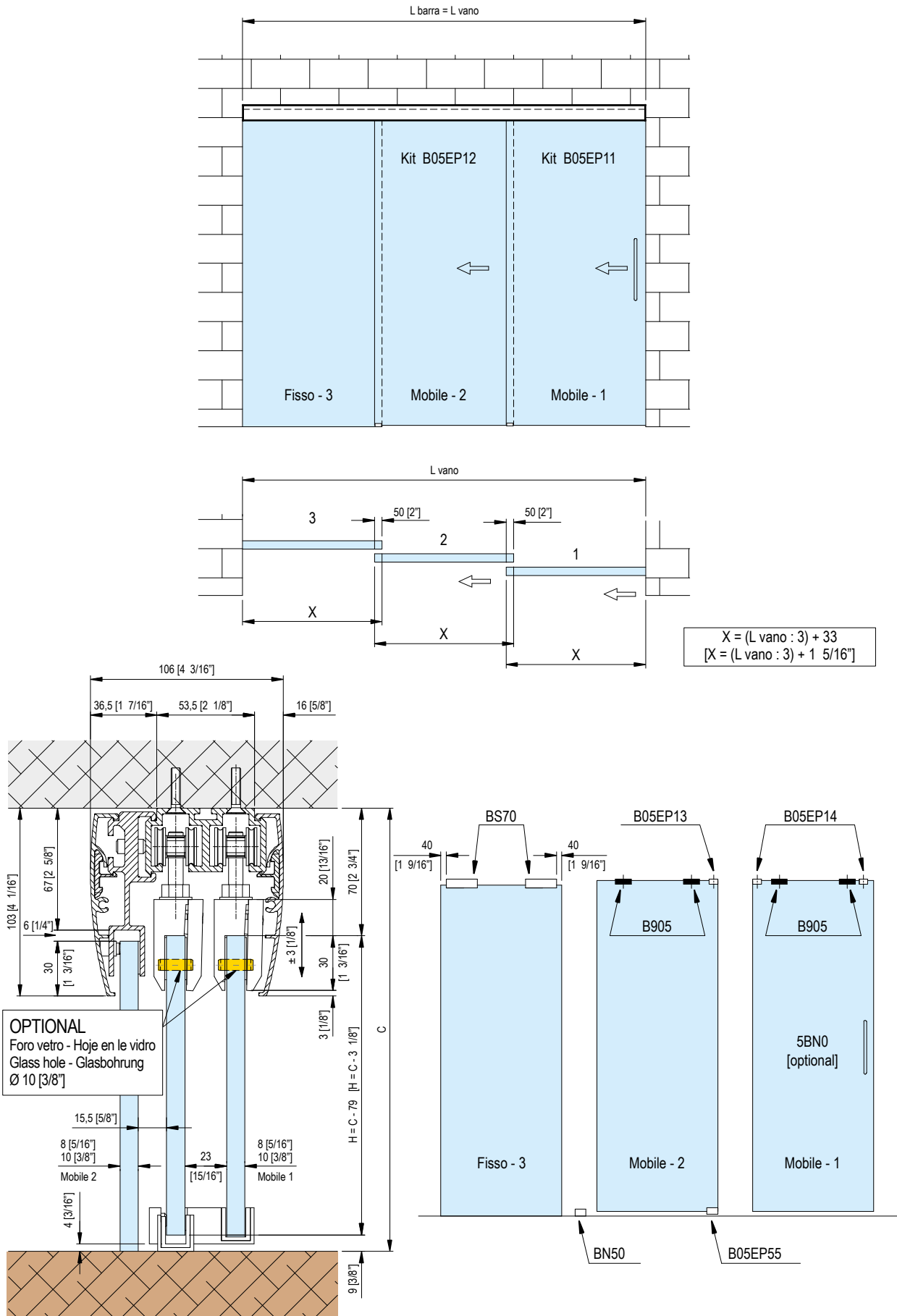
In caso di dimensioni della barra superiore a 6mt. utilizzare due barre
 In case of bar dimensions higher than 6mt. use 2 bars



Kit B05EP12 Kit B05EP11

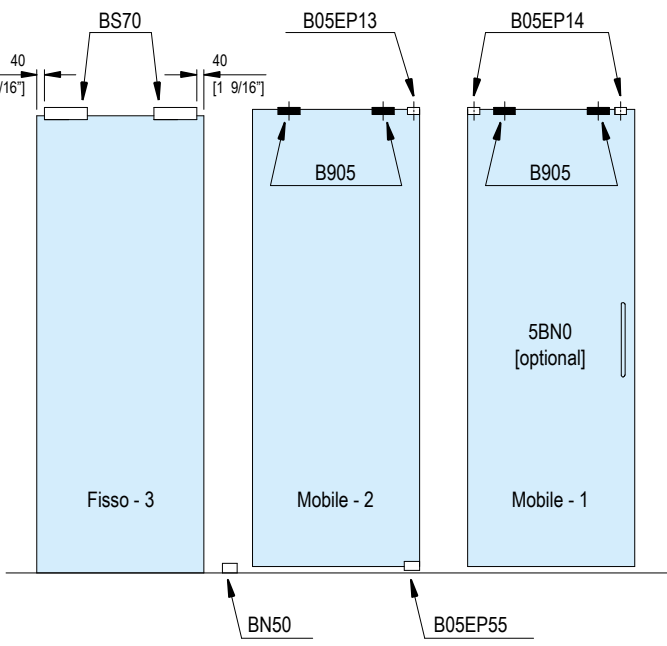


B05E73 SLAK-T system



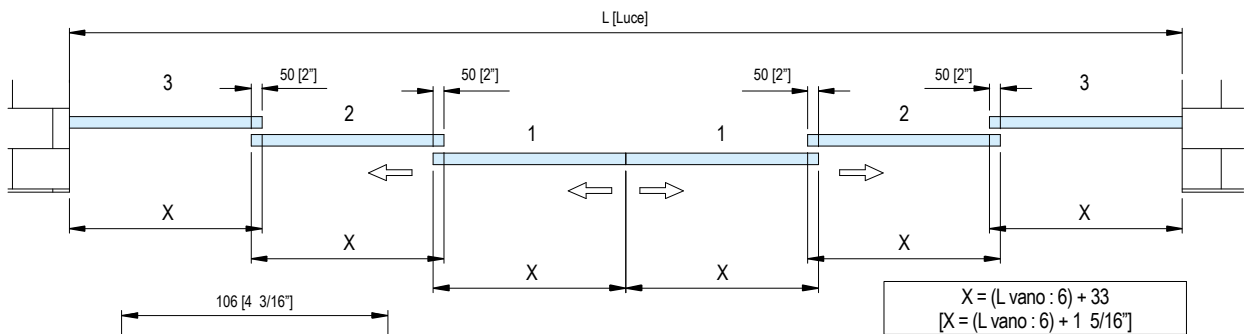
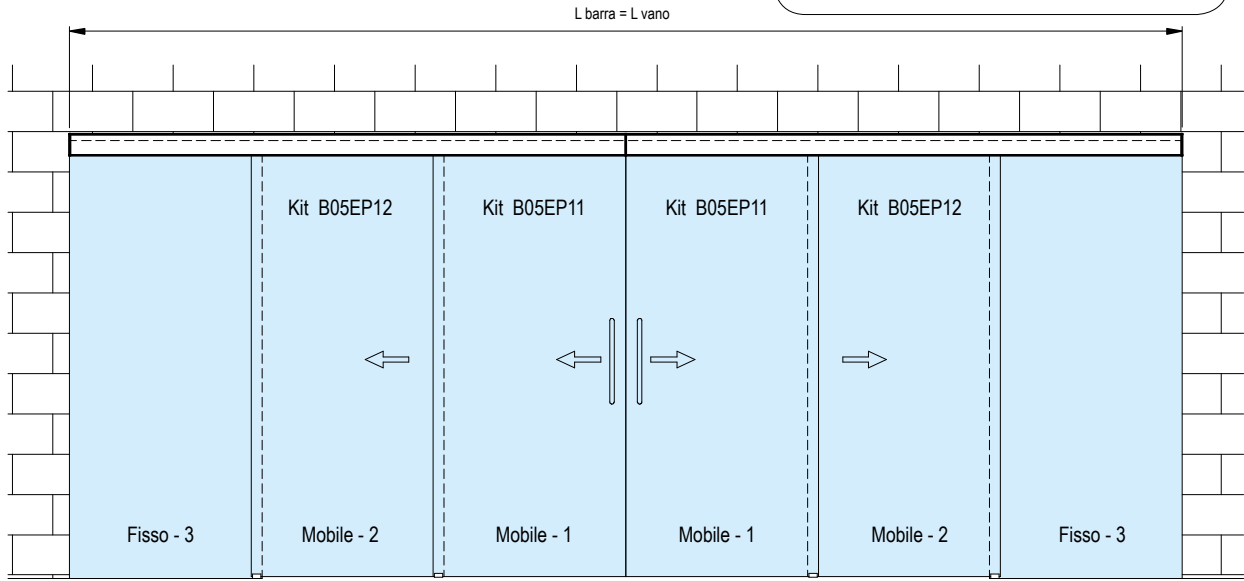
$$X = (L \text{ vano} : 3) + 33$$

$$[X = (L \text{ vano} : 3) + 1 \text{ 5/16}']$$



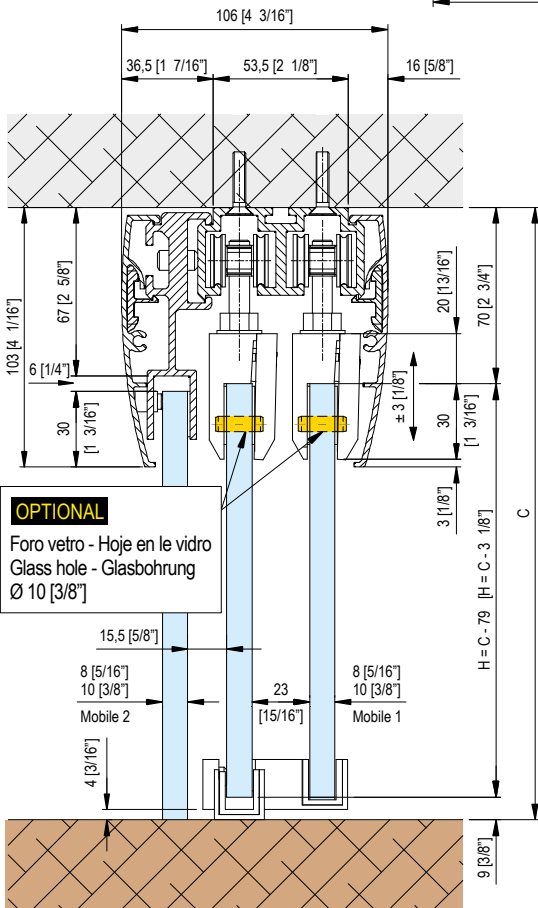
B05E76 SLAK-T system

In caso di dimensioni della barra superiore a 6mt. utilizzare due barre
 In case of bar dimensions higher than 6mt. use 2 bars



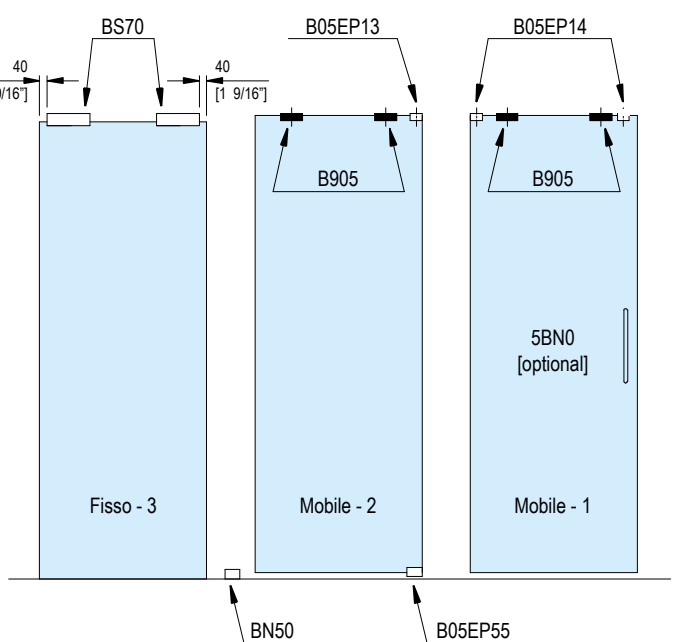
$$X = (L \text{ vano} : 6) + 33$$

$$[X = (L \text{ vano} : 6) + 1 \text{ 5/16"}]$$

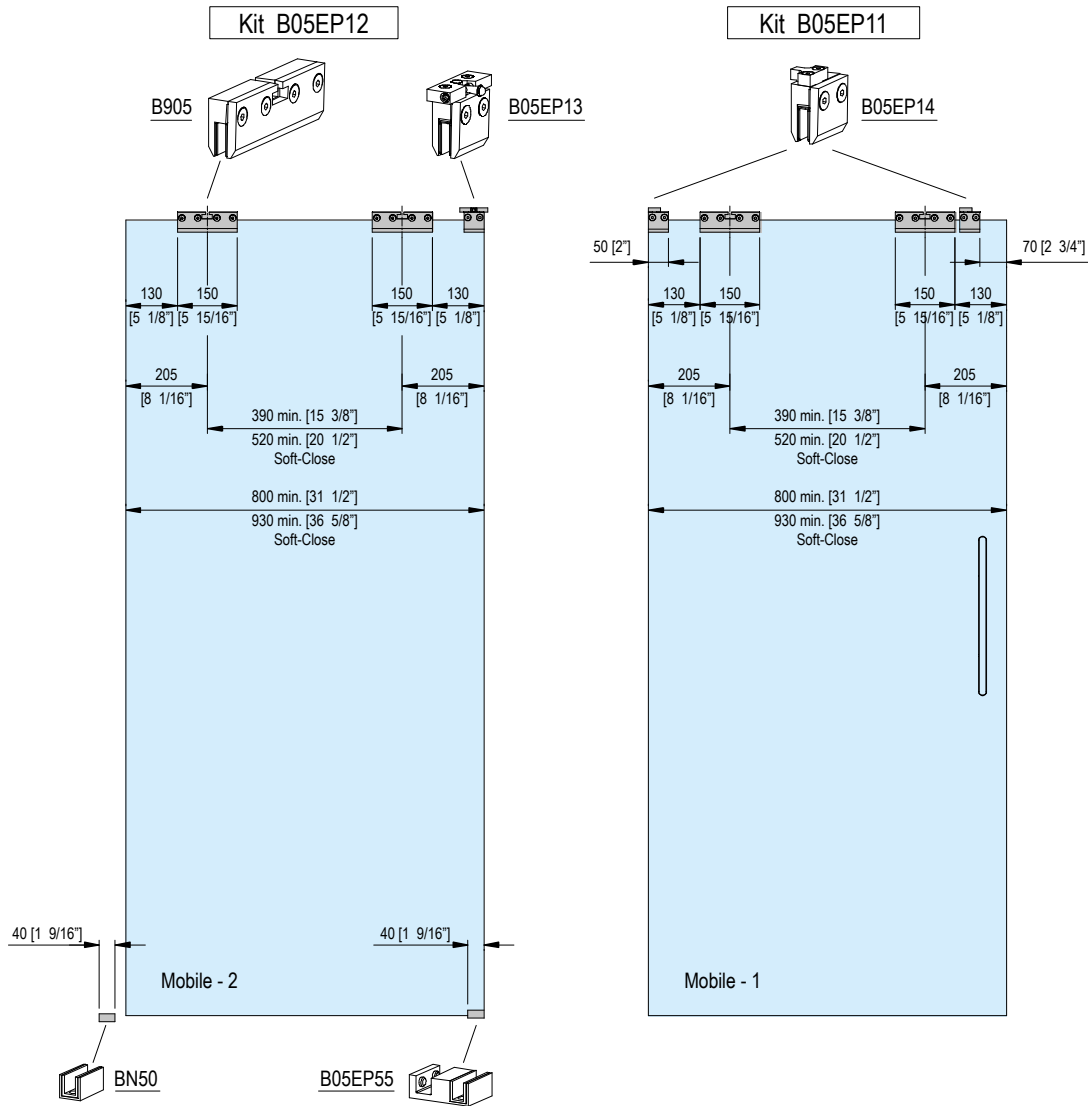


OPTIONAL
 Foro vetro - Hoje en le vidro
 Glass hole - Glasbohrung
 $\varnothing 10$ [3/8"]

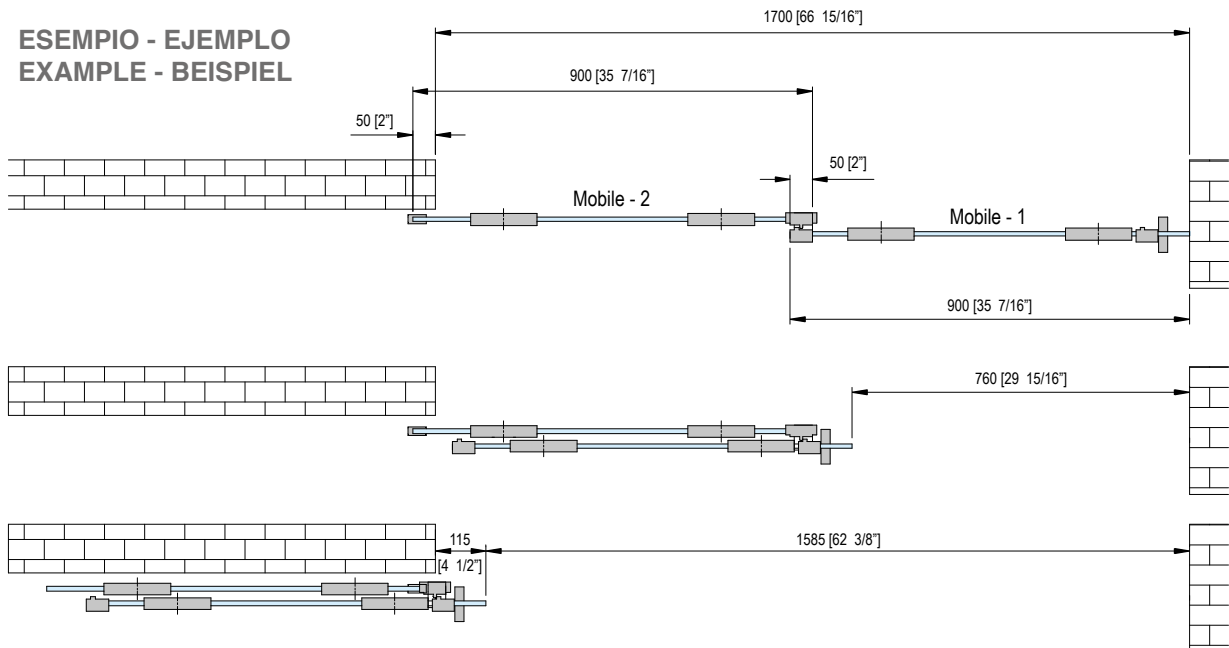
Kit B05EP12 Kit B05EP11



B05E SLAK-T system



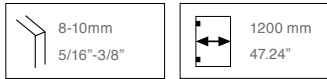
ESEMPIO - EJEMPLO
EXAMPLE - BEISPIEL



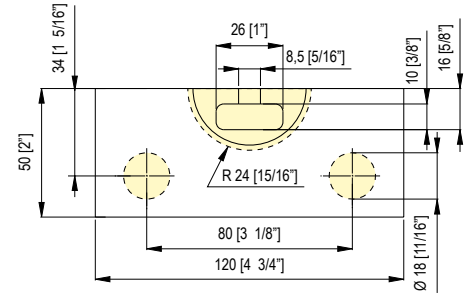
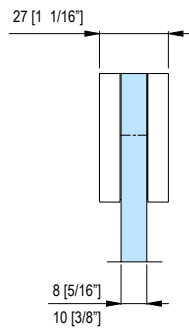
B925 SLAK-T system

MAX 80 Kg - 176 lbs

Porte - Doors



- Pinza per porta scorrevole.
- Pinza de sujeción para puerta corredera.
- Clamp for sliding door.
- Band für Schiebetüre.
- Pince pour porte coulissante.

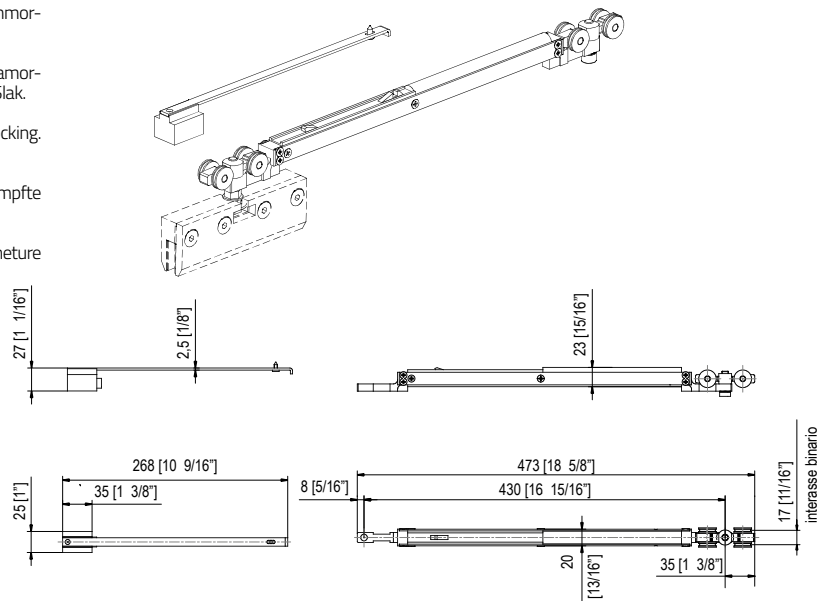


BS35 SLAK-T system

MAX 80 Kg - 176 lbs

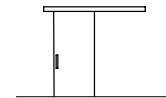
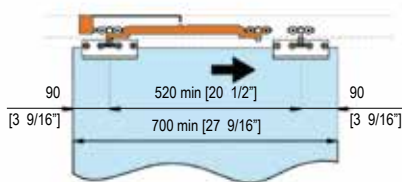
Porte - Doors

- SOFT-CLOSE meccanismo frenante per chiusure ammortizzate. Applicabile su richiesta ai sistemi serie Slak.
- SOFT-CLOSE mecanismo de freno para el bloqueo de amortización. Aplicable contra demanda a el sistema series Slak.
- SOFT-CLOSE breaking mechanism for amortized locking. Applicable on demand to Slak system series.
- SOFT-CLOSE Bremsmechanismus für gedämpfte Schließung und ist bei Bedarf an Slak systems.
- Système d'amortisseur SOFT-CLOSE pour fermeture amortie. Applicable sur demande aux systèmes Slak.

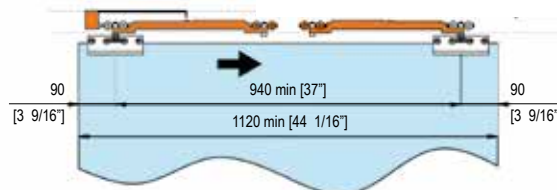


SCHEMI E INGOMBRI MINIMI DELLE APPLICAZIONI - DIBUJOS Y DIMENSIONES MÍNIMAS DE APLICACIONES - DRAWINGS AND OVERALL SIZES OF APPLICATIONS - ZEICHNUNGEN UND AUßENMASSEN DER ANWENDUNGEN - DESSINS DISPONIBLES POUR TOUTES LES TAILLES

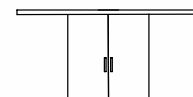
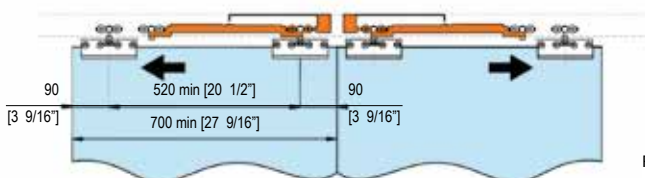
Porta singola con soft-close in chiusura - Sola puerta con cierre suave "soft-close" en cierre - Single door with soft-close at closing - Einzeltür mit Soft-Close beim Schließen - Porte simple avec soft-close à la fermeture



Porta singola con soft-close in chiusura e apertura - Sola puerta con cierre suave "soft-close" en cierre y abertura - Single door with softclose at closing and opening - Einzeltür mit Soft-Close beim Schließen und Öffnen - Porte simple avec soft-close à la fermeture et ouverture



Porta doppia con soft-close in chiusura - Doble puerta con cierre suave "sof-close" en cierre - Double door with soft-close at closing - Doppeltür mit Soft-Close beim Schließen - Porte double avec soft-close à la fermeture



Porta doppia con soft-close in chiusura e apertura - Doble puerta con cierre suave "sof-close" en cierre y apertura - Double door with soft-close at closing and opening - Doppeltür mit Soft-Close beim Schließen und Öffnen - Porte double avec soft-close à la fermeture et l'ouverture

