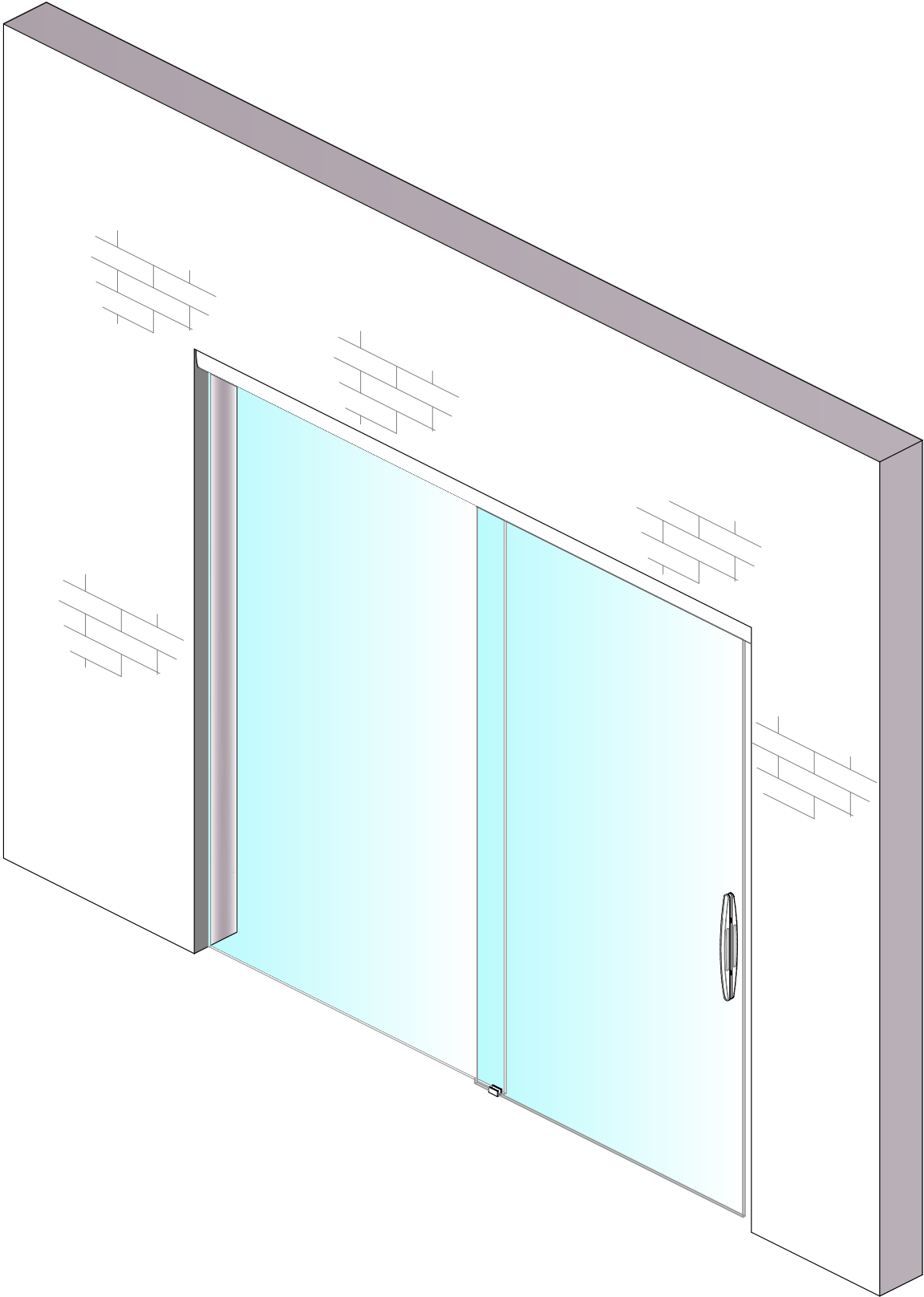


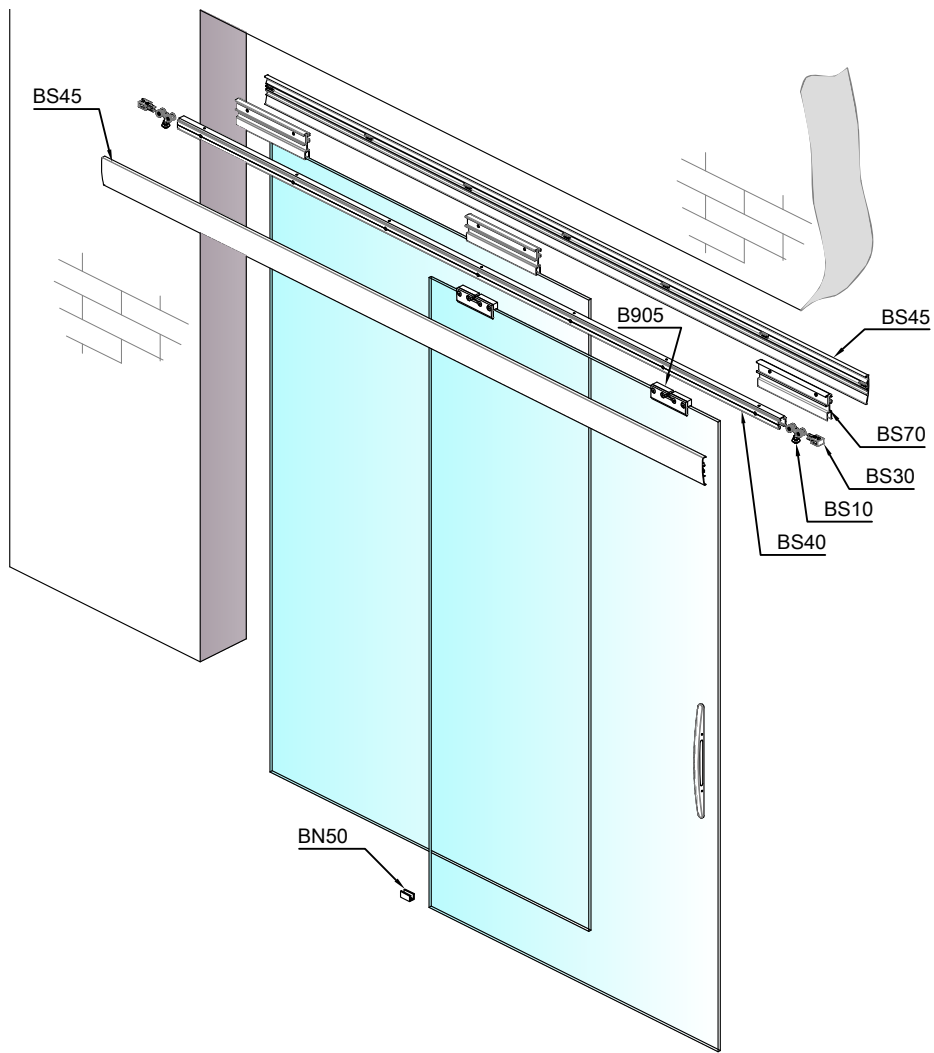
Slak SYSTEM

One-leaf "Slak" sliding door Kit
wall mount + one fixed glass



Installation instructions

Slak SYSTEM



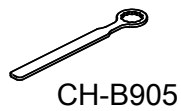
Packing List

1 x BS00	1 x BS40	2 x BS45	3 x BS70

Optional safety pin



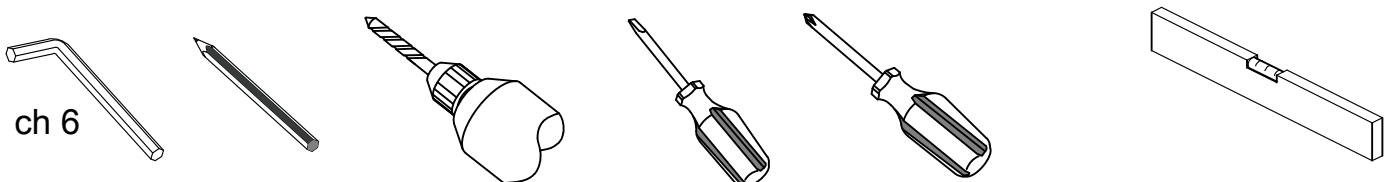
Tools supplied



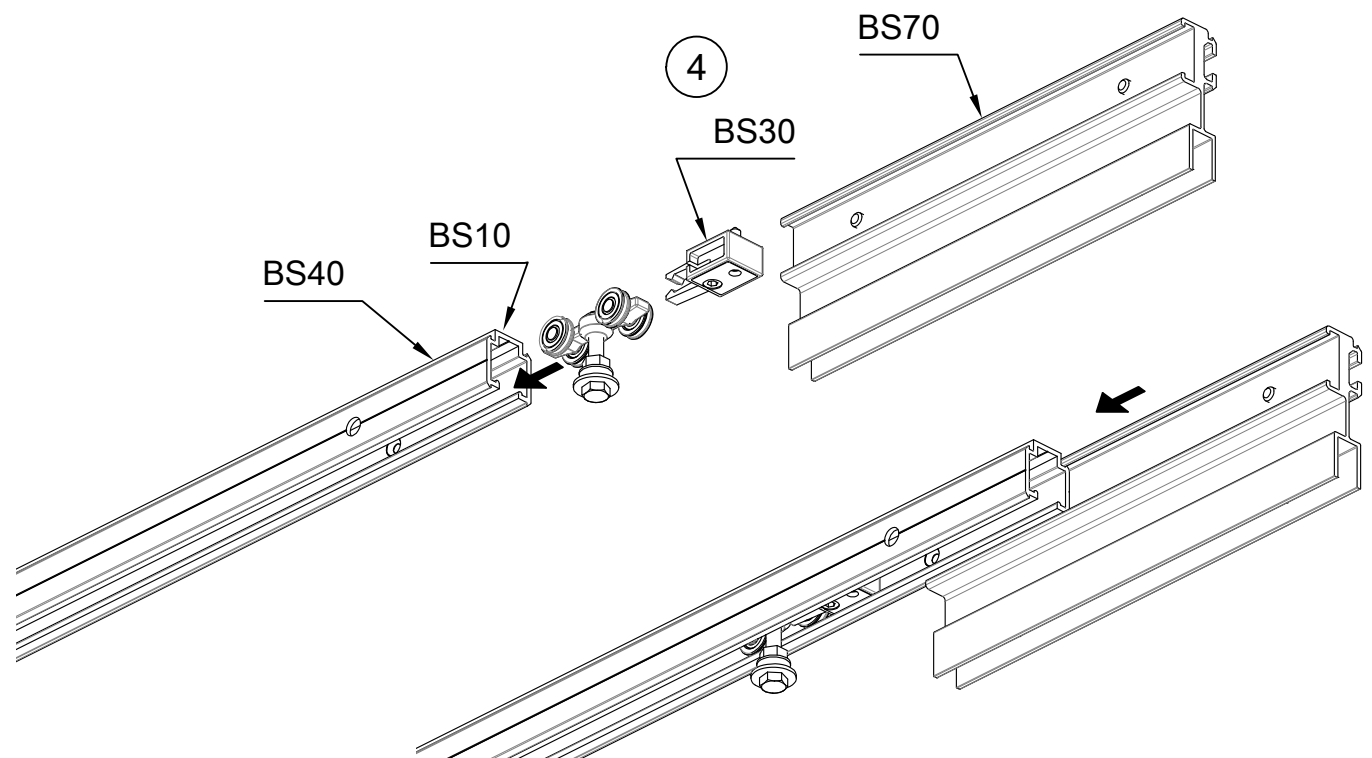
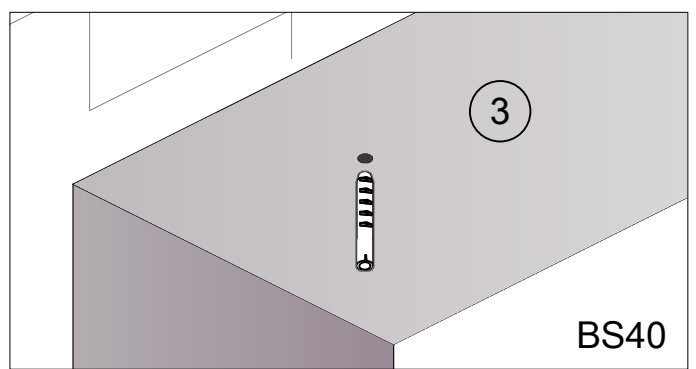
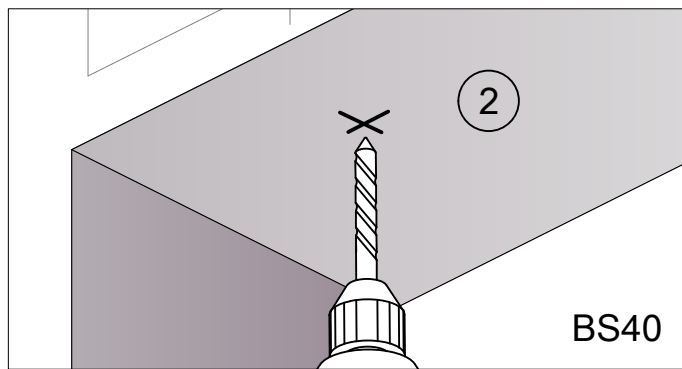
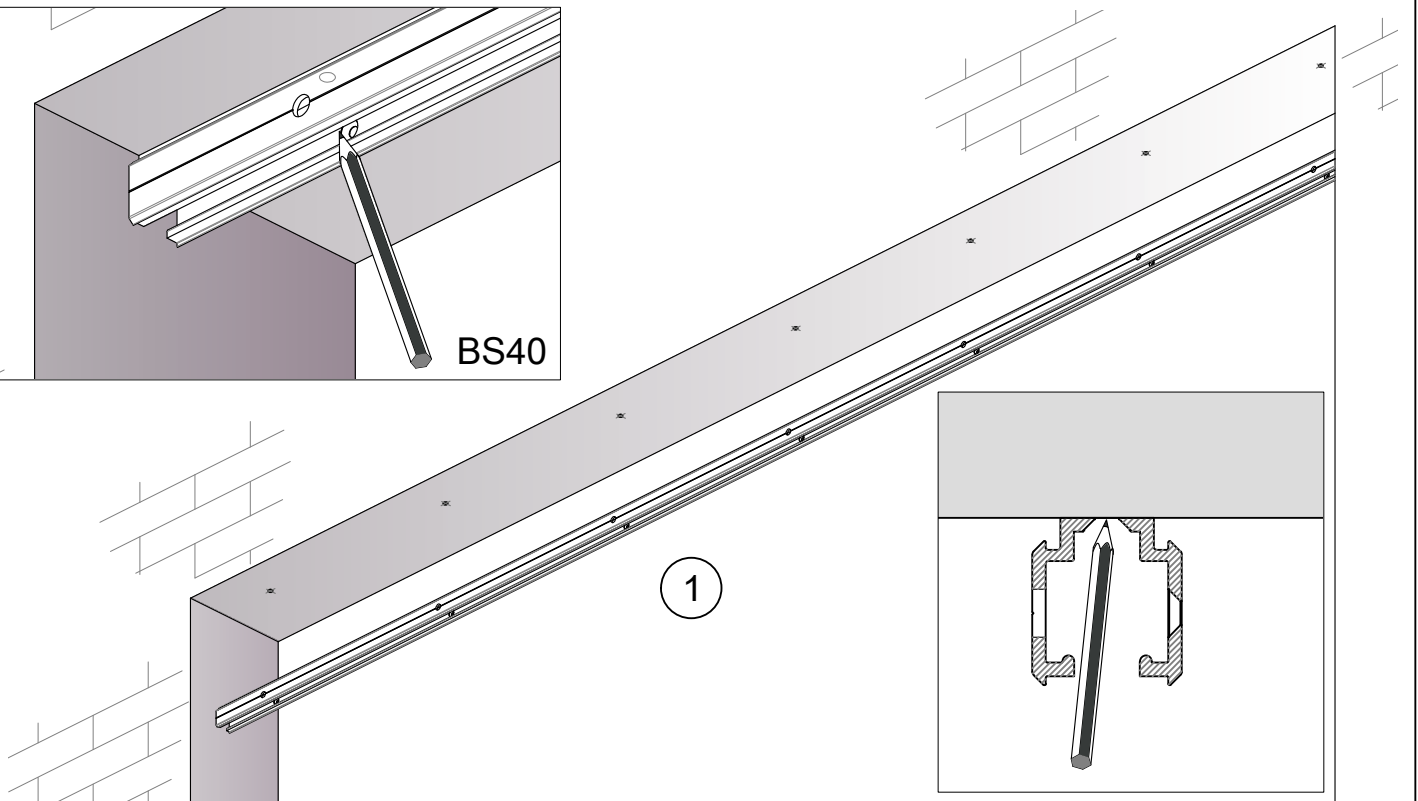
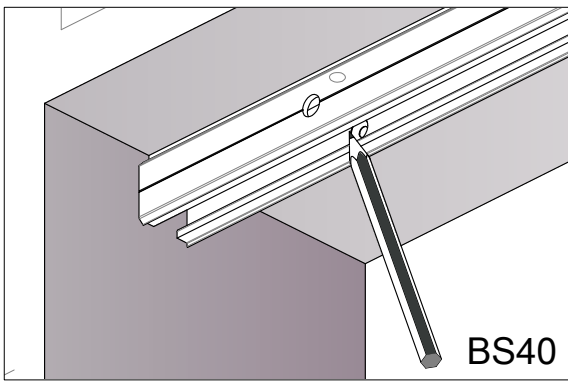
Fittings required



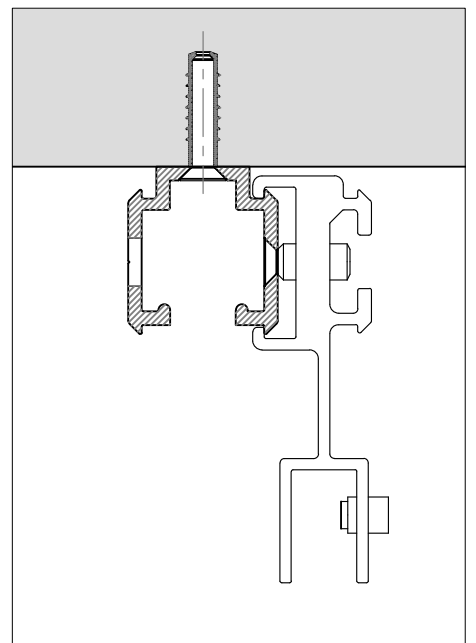
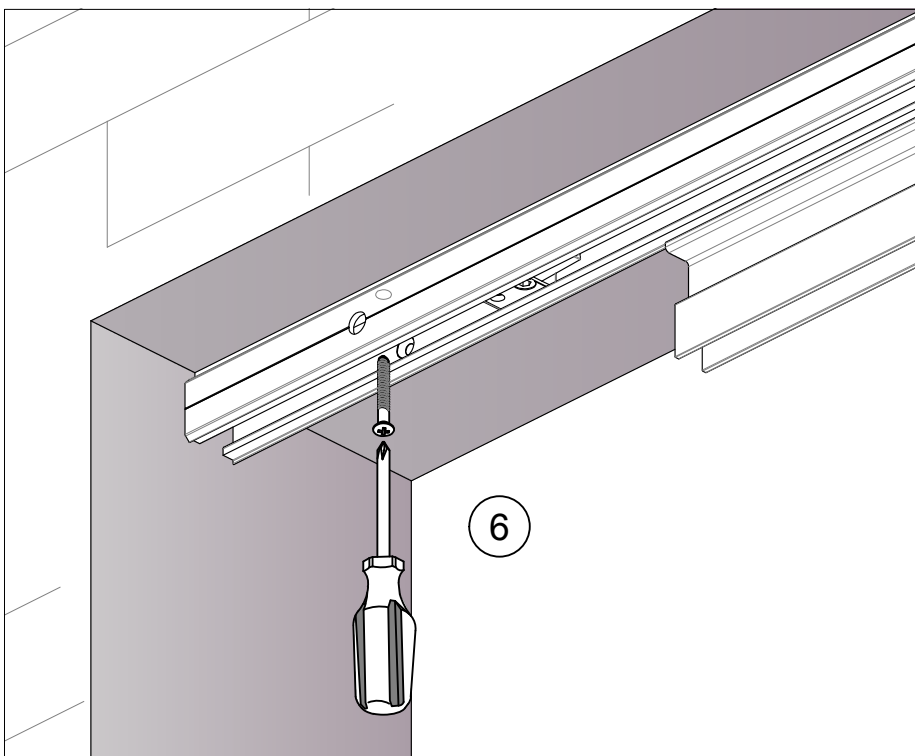
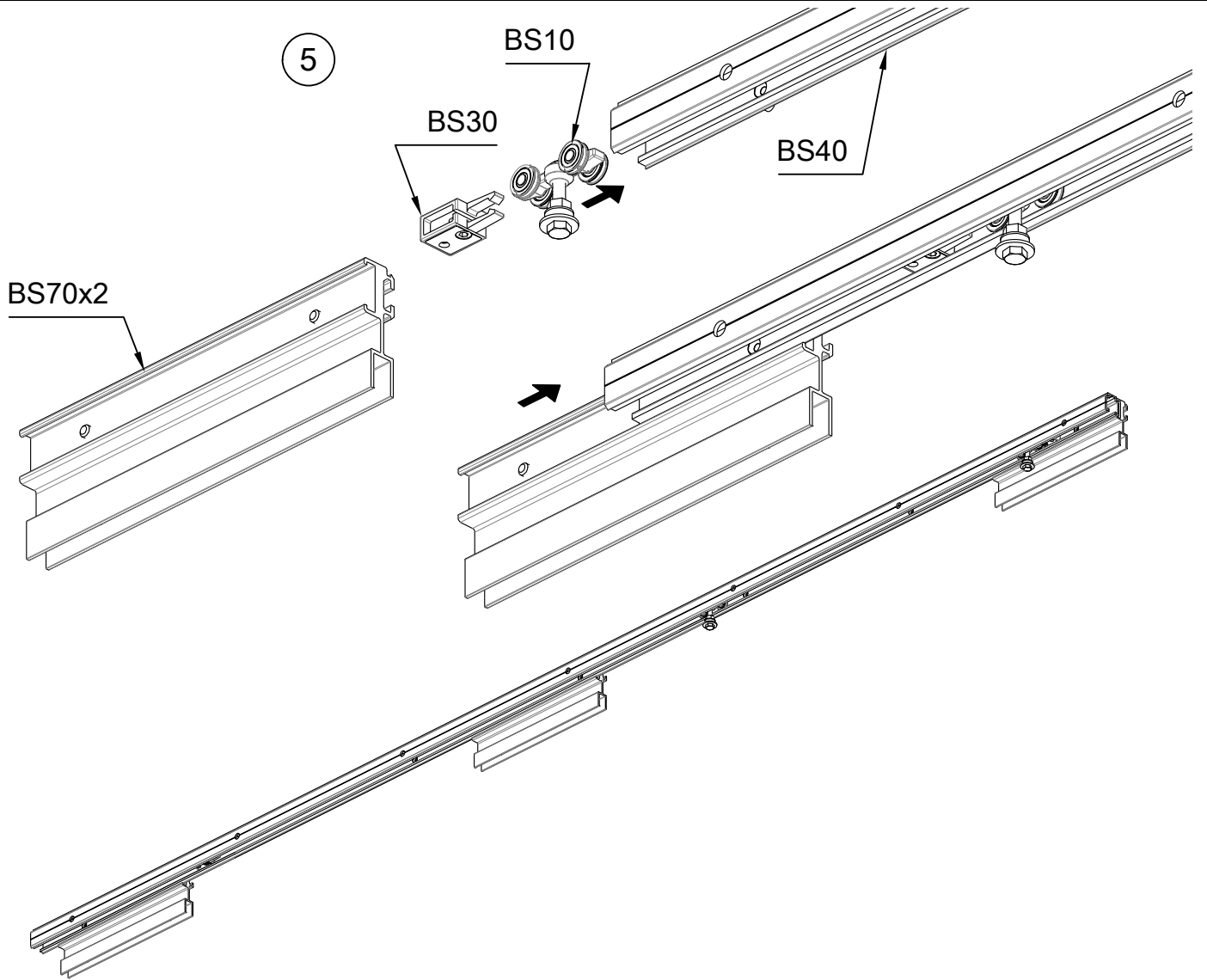
Tools required



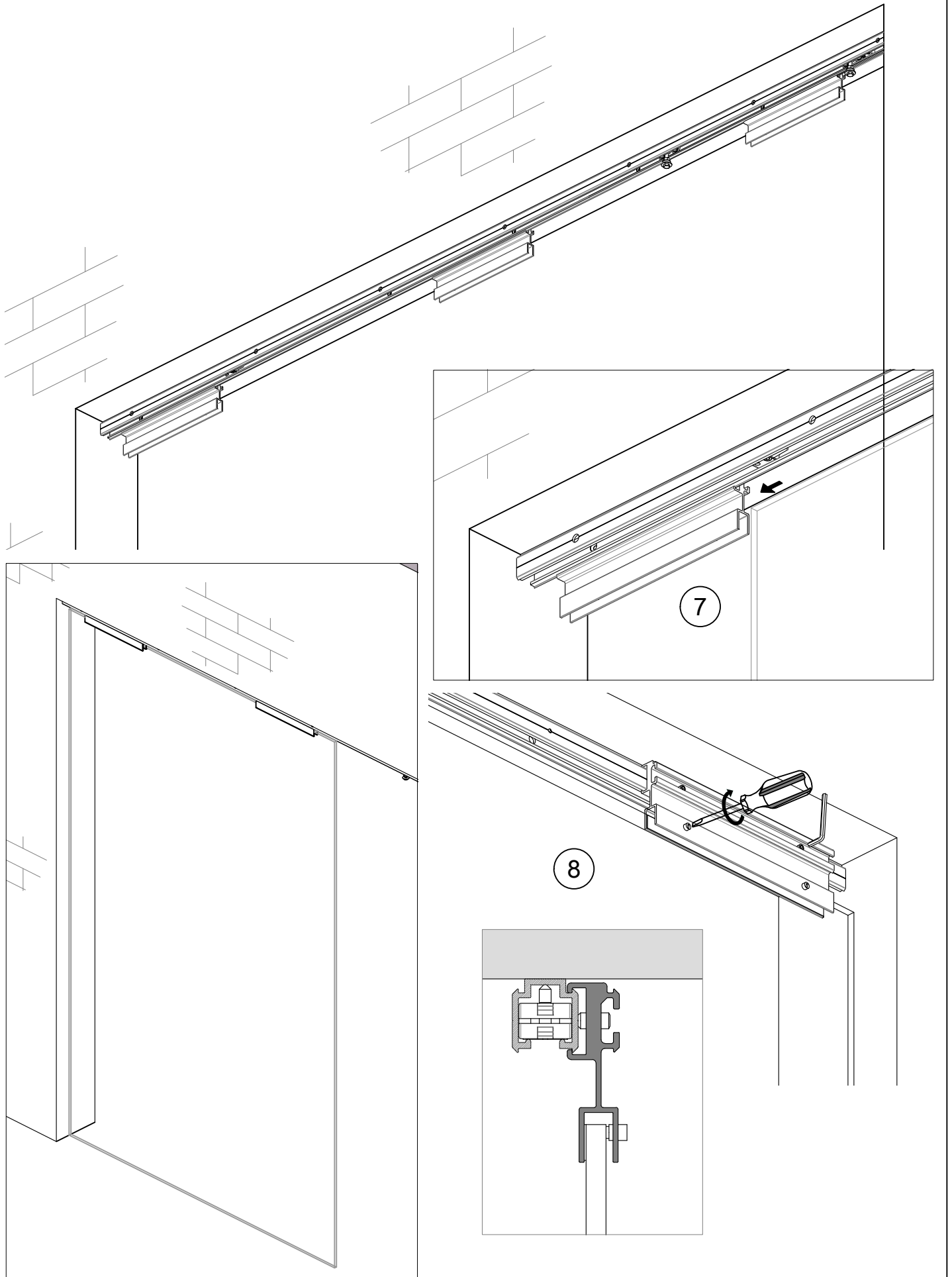
Slak SYSTEM



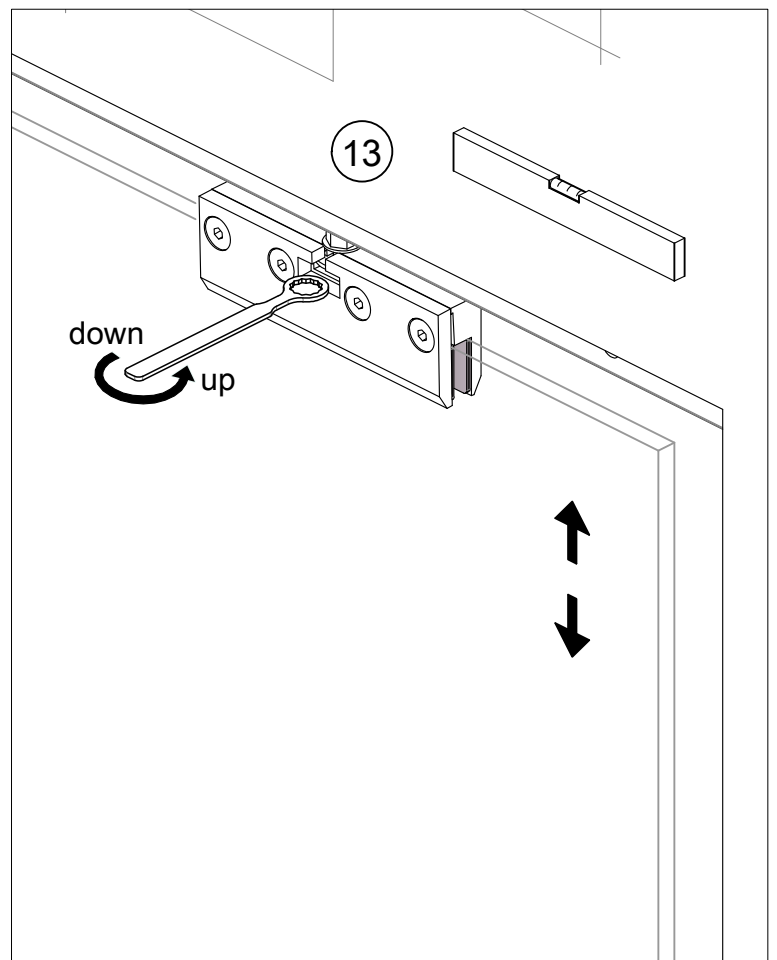
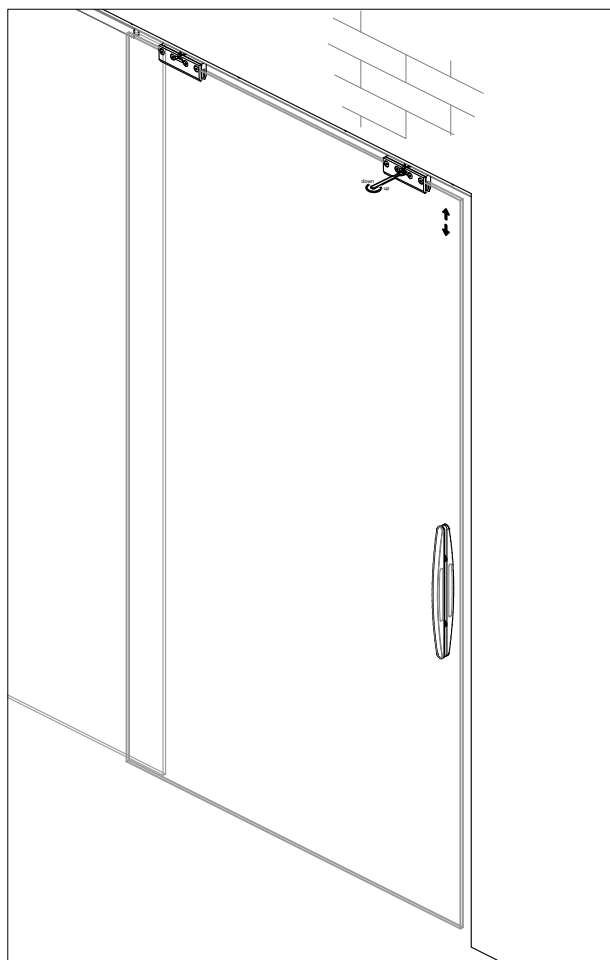
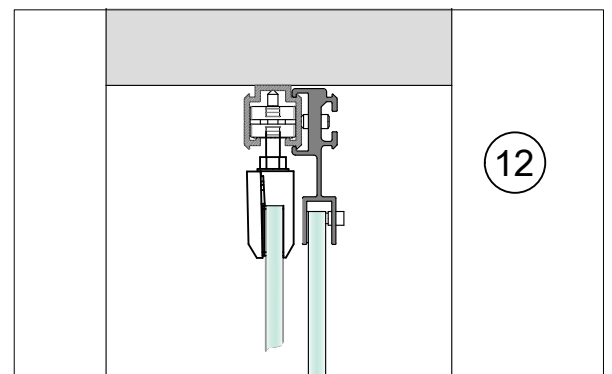
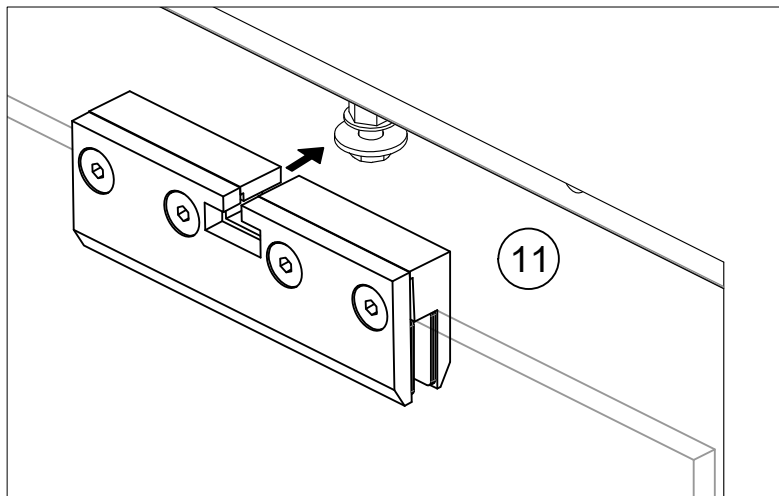
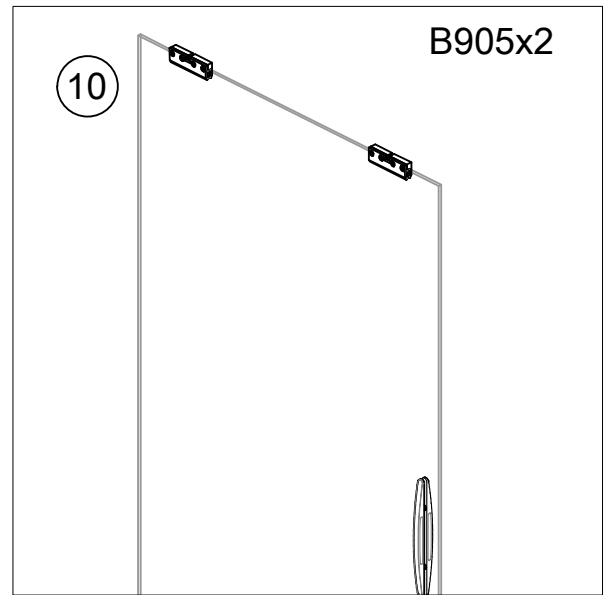
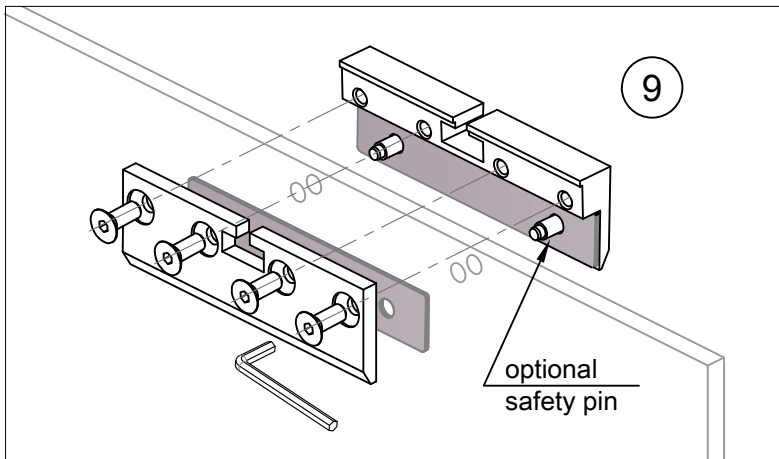
Slak SYSTEM



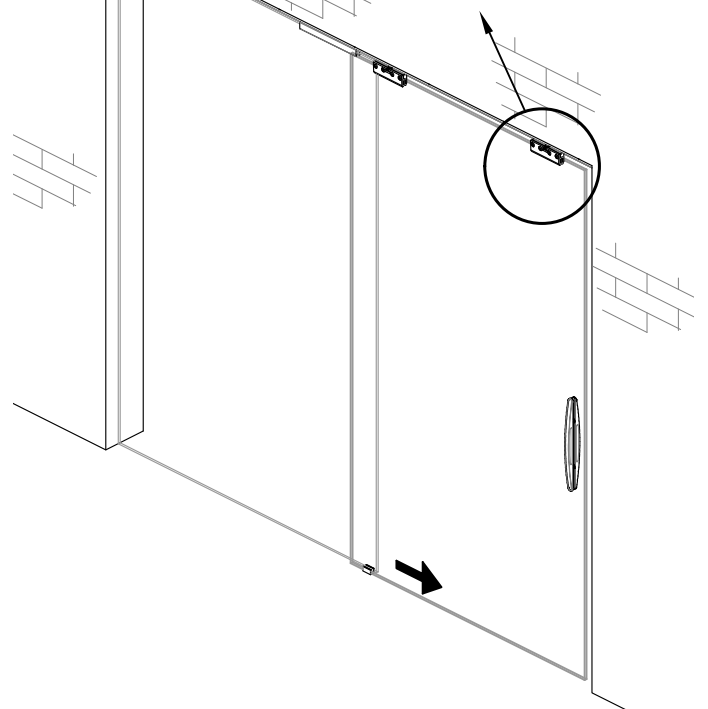
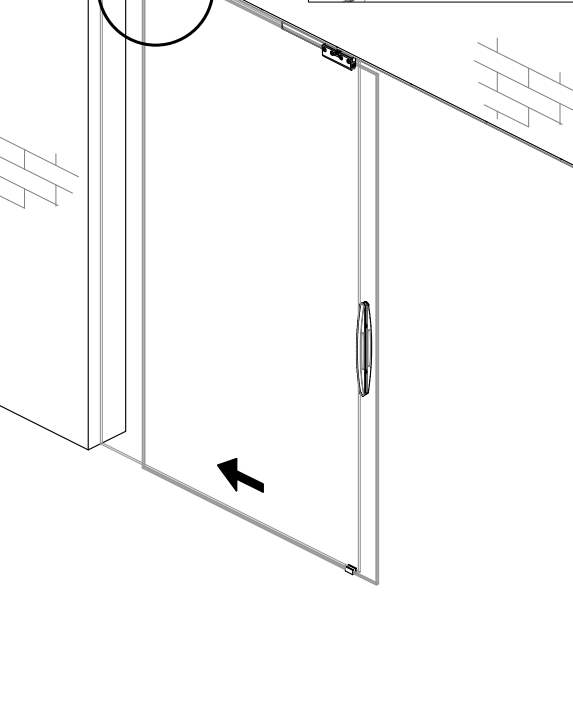
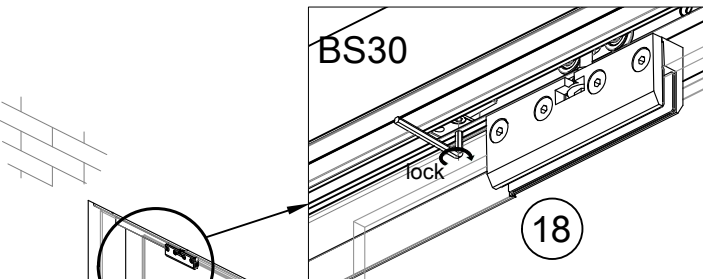
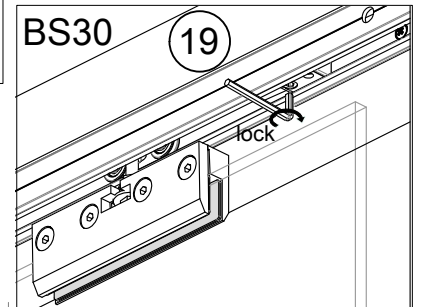
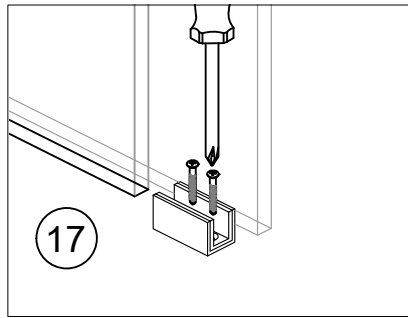
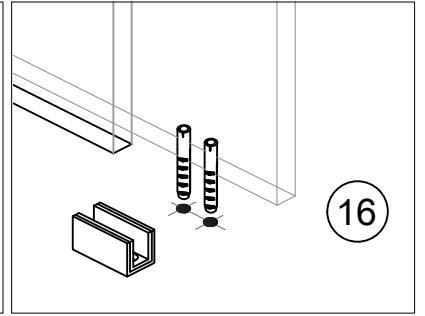
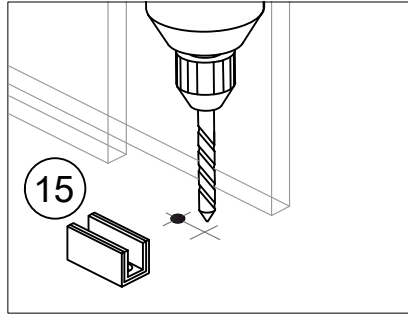
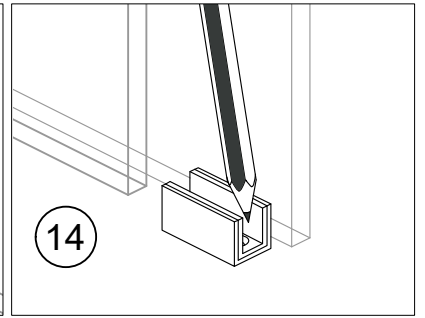
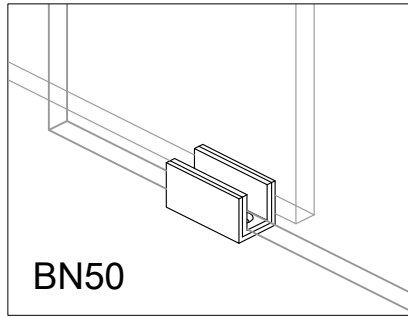
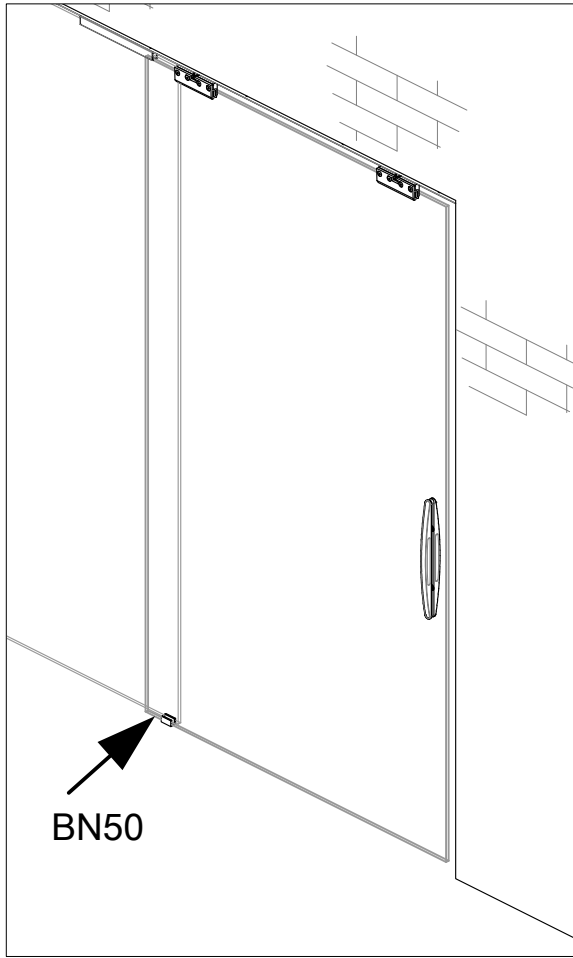
Slak SYSTEM



Slak SYSTEM

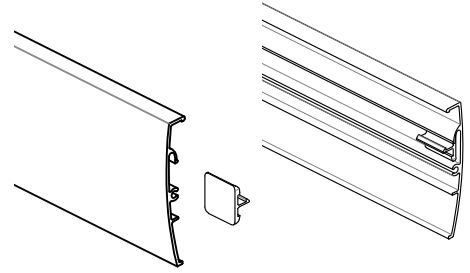


Slak SYSTEM



Slak SYSTEM

20



BS45x2

