

# FLUIDO+ 70

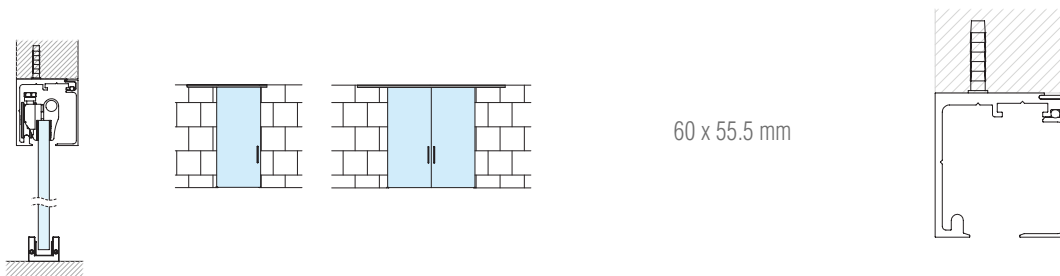
MAX 70 Kg - 154 lbs

Porte - Doors

## PORTE IN VETRO / GLASS DOORS Soluzioni e Profili - Solutions and Profiles

### SCORREVOLE A SOFFITTO

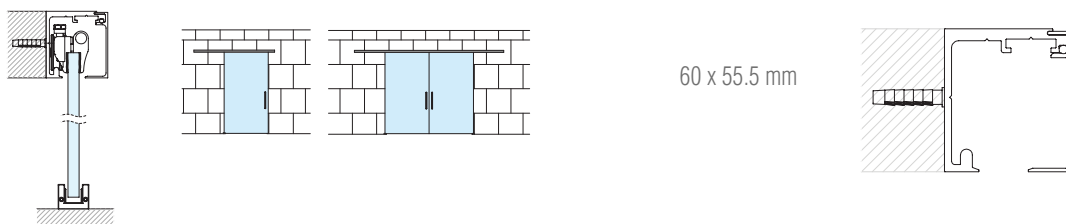
Sliding on Ceiling



60 x 55.5 mm

### SCORREVOLE A PARETE

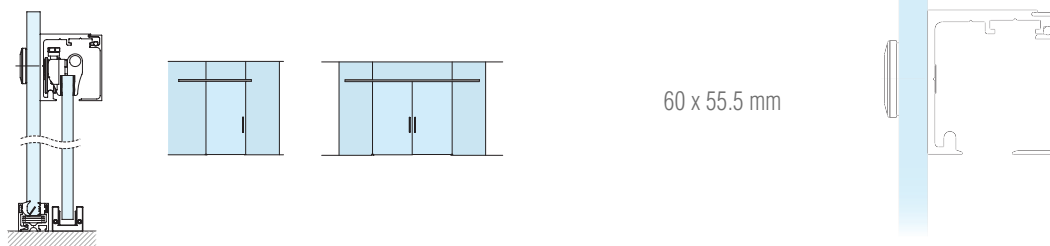
Sliding on Wall



60 x 55.5 mm

### SCORREVOLE SU VETRO FISSO

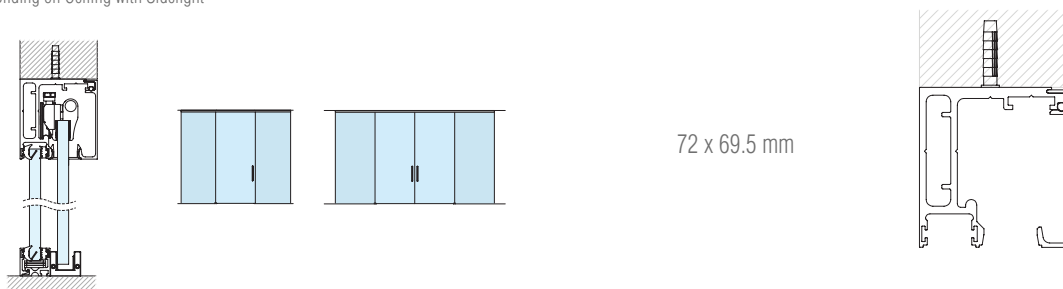
Sliding on Sidelight



60 x 55.5 mm

### SCORREVOLE A SOFFITTO CON FISSO

Sliding on Ceiling with Sidelight



72 x 69.5 mm

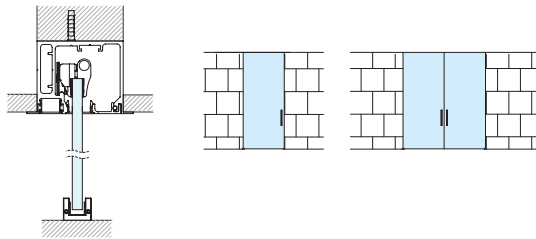
**FLUIDO+ 70**

MAX 70 Kg - 154 lbs

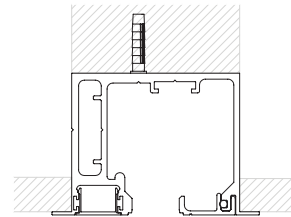
Porte - Doors

**PORTE IN VETRO / GLASS DOOR** Soluzioni e Profili - Solutions and Profiles**SCORREVOLE A FALSO SOFFITTO**

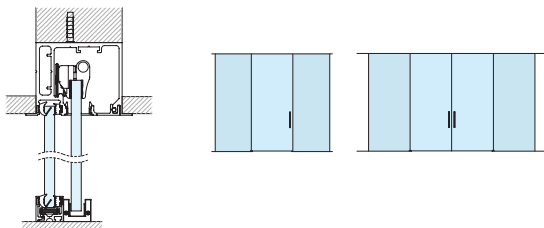
Sliding on False Ceiling



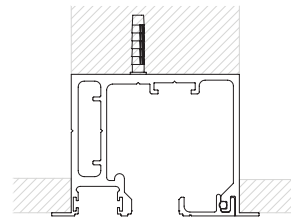
85,4 x 72 mm

**SCORREVOLE A FALSO SOFFITTO CON FISSO**

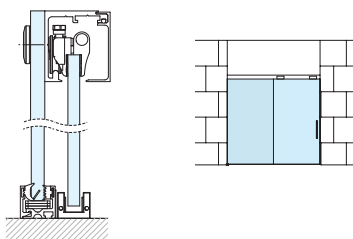
Sliding on False Ceiling with Sidelight



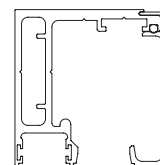
85,4 x 72 mm

**INSTALLAZIONE CON SUPPORTO A PARETE**

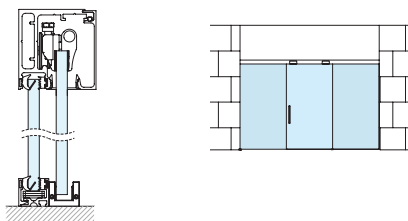
Installation with Supports on Wall



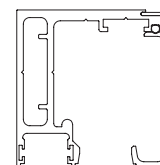
72 x 69.5 mm

**INSTALLAZIONE CON SUPPORTO A PARETE**

Installation with Supports on Wall



72 x 69.5 mm



## FLUIDO+ 70

## Dettagli Tecnici - Technical details



	<b>PORTATA</b> Weight	70kg per porta / for door 154lbs			
	<b>SPESORE VETRO</b> Glass thickness	8 ÷ 12 mm 5/16" to 1/2"			
	<b>SPESORE PORTA IN LEGNO</b> Wooden door thickness	28 ÷ 50 mm 1 1/8" to 1 15/16"			
	<b>REGOLAZIONE IN ALTEZZA</b> Height adjustment	± 3 mm 1/8"			
	<b>DISTANZA A PARETE</b> Wall distance	19 mm 3/4"			
	<b>DISTANZA TRA ANTA E VETRO FISSO</b> Distance between door and sidelight	14.2 ÷ 16.2 mm 9/16" to 5/8"			
	<b>INSTALLAZIONE A VETRO</b> Glass installation	✓			
	<b>INSTALLAZIONE A FALSO SOFFITTO</b> False ceiling installation	✓			
	<b>INSTALLAZIONE TRA PARETI</b> Installation between walls	✓			
	<b>SOFTCLOSE</b> Soft close	Doppio / Double			
	<b>DIMENSIONI MINIME (doppio Softclose)</b> Minimum dimensions (double soft close)	660 mm 26"			
	<b>RETAINER MECCANICO</b> Mechanical retainer	Doppio / Double			
	<b>DIMENSIONI MINIME (doppio Retainer)</b> Minimum dimensions (double Retainer)	450 mm 17 11/16"			
	<b>FINITURE</b> Finishes	<table border="1"> <tbody> <tr> <td><b>02</b> Ossidato naturale Natural oxidized</td> <td><b>05</b> Ossidato nero Black oxidized</td> <td><b>13</b> PVD simil inox similar PVD stainless steel</td> </tr> </tbody> </table>	<b>02</b> Ossidato naturale Natural oxidized	<b>05</b> Ossidato nero Black oxidized	<b>13</b> PVD simil inox similar PVD stainless steel
<b>02</b> Ossidato naturale Natural oxidized	<b>05</b> Ossidato nero Black oxidized	<b>13</b> PVD simil inox similar PVD stainless steel			



**CERTIFICAZIONE DURABILITÀ  
CICLI CORROSIONE**  
Durability certification  
Corrosion cycles

**DURABILITÀ (100.000 Cicli)**  
Durability (100.000 Cycles)

**PESO DELLA PORTA (da 51 a 100 kg)**  
Door mass (from 51 up to 100 kg)

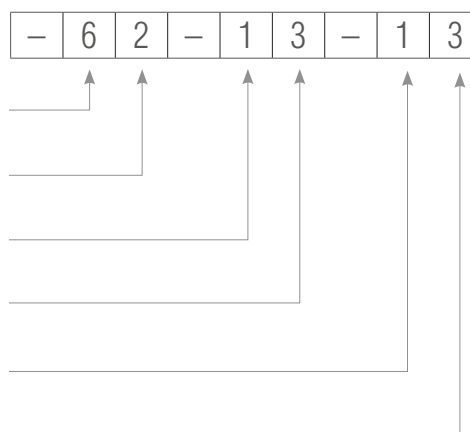
**SICUREZZA (Grado 1 per tutti gli scorrevoli)**  
Safety (All sliding must be grade 1)

**RESISTENZA ALLA CORROSIONE (Alta resistenza)**  
Corrosion resistance (High resistance)

**CATEGORIA DELLA PORTA (Porta scorrevole)**  
Category of door (Sliding door)

**FRIZIONE INIZIALE VALORE MASSIMO CONSENTITO (40N)**  
Initial friction maximum permitted value (40N)

according to  
**EN1527**

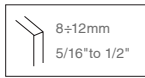


# FLUIDO+ 70 SU VETRO FISSO - ON SIDELIGHT

MAX 70 Kg - 154 lbs

Porte - Doors

**KB070SS0/2 = 2 m    KB070SS0/3 = 3 m**

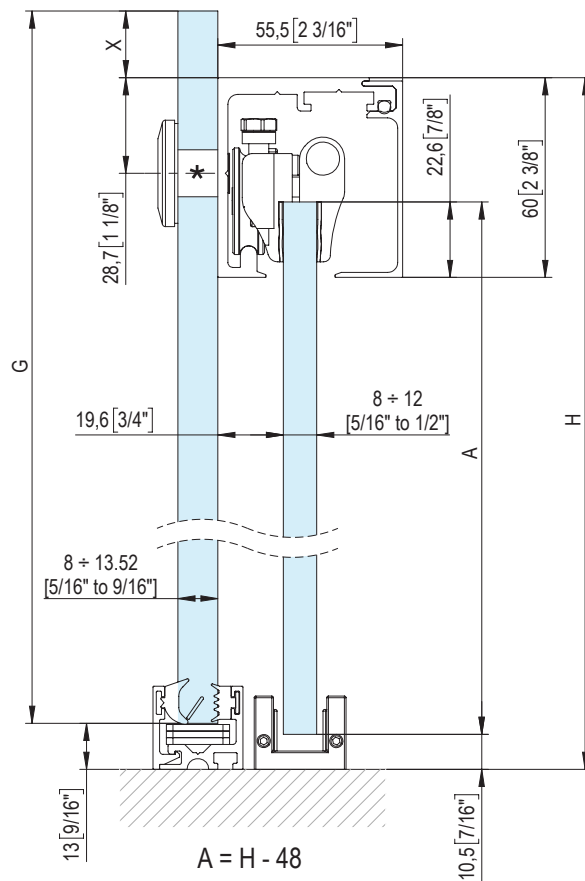


- Kit scorrevole su vetro fisso con doppio soft-close.
- Kit corredizo sobre vidrio fijo con doble Soft-close
- Sliding kit on fixed glass with double soft-close
- Schiebesatz auf festem Glas mit doppeltem Soft-Close
- Kit coulissant sur verre fixe avec double Soft-Close



TAPPI NON INCLUSI - CAPS NOT INCLUDED

★ Foro per BF70 - Hole for BF70 Ø 20 (13/16")



$$A = H - 48$$

$$[A = H - 1 7/8"]$$

$$G = H + X - 13$$

$$[G = H + X - 1/2"]$$

NON INCLUSI - NOT INCLUDED

P20EJ0810/6

P20EJ1113/6

P20E29/58



Vedere scheda catalogo P20E nella sezione PARTIZIONI  
See P20E technical sheet in PARTITIONING section

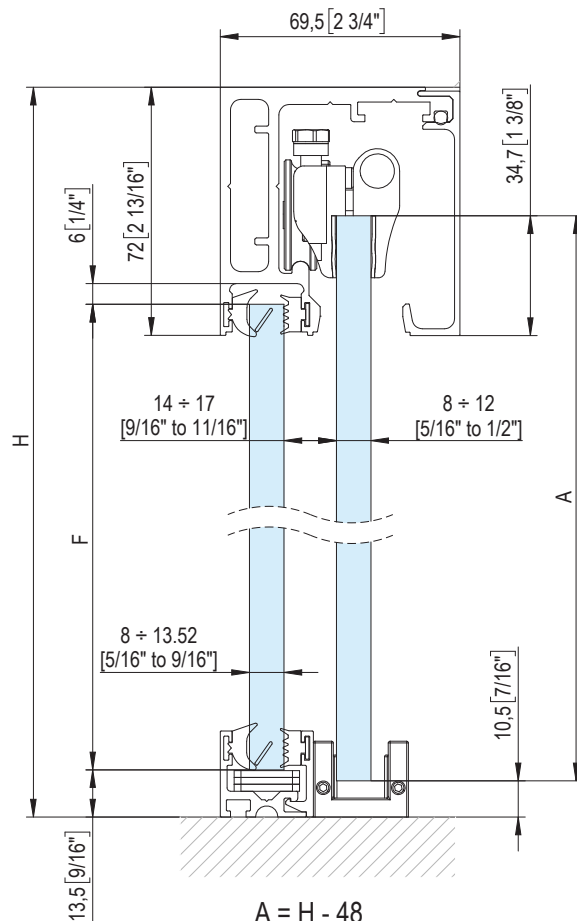
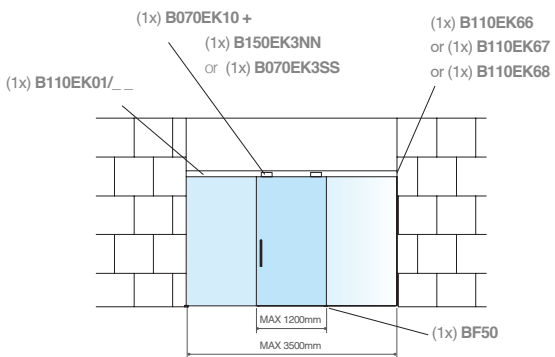
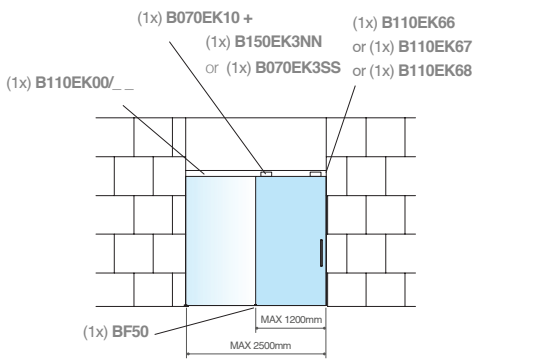
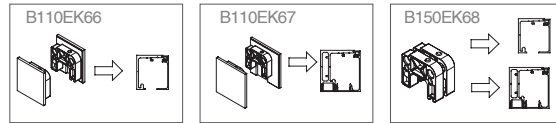
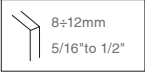


L'installazione dei Fluido+ 70, 110 e 150 non necessita di forature sul vetro • The installation of Fluido+ 70, 110 and 150 does not need holes on the glass

# FLUIDO+ 70 CON SUPPORTI A PARETE • WITH SUPPORTS ON WALL

MAX 70 Kg - 154 lbs

Porte - Doors



$$A = H - 48$$

$$[A = H - 1 \frac{7}{8}"]$$

$$F = H - 77$$

$$[F = H - 3 \frac{1}{16}"]$$

**NON INCLUSI - NOT INCLUDED**



Vedere scheda catalogo P20E nella sezione PARTIZIONI  
See P20E technical sheet in PARTITIONING section

SCORREVOLI  
SLIDING

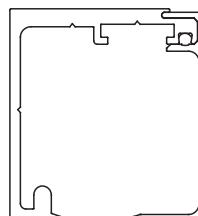


L'installazione dei Fluido+ 70, 110 e 150 non necessita di forature sul vetro • The installation of Fluido+ 70, 110 and 150 does not need holes on the glass

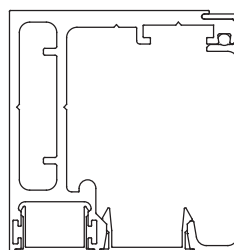
**FLUIDO+ 70**

## PROFILI BINARIO- PROFILES RAIL

 **70 Kg** - 154 lbs

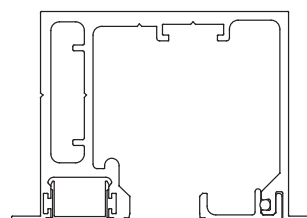
 **Porte** - Doors
**B110EK00/2 ( 2 m )****B110EK00/3 ( 3 m )****B110EK00/4 ( 4 m )****B110EK00/6 ( 6 m )**

- Profilo binario per scorrevole: soffitto, parete e su vetro fisso.
- Perfil corredero para instalación a techo, pared y pared de vidrio.
- Sliding profile for ceiling, wall and sidelight installation.
- Schiebetürprofil für Decken-, Wand- und Glaswandeinbau.
- Profil de rail coulissant : plafond, mur et verre fixe.

**B110EK01/2 ( 2 m )****B110EK01/3 ( 3 m )****B110EK01/4 ( 4 m )****B110EK01/6 ( 6 m )**

- Profilo binario per scorrevole a soffitto con vetro fisso
- Perfil corredero para instalación a techo con paño fijo.
- Sliding profile for ceiling with sidelight installation.
- Schiebetürprofil für Deckeneinbau mit seitlichen Glas.
- Profil coulissant de plafond avec verre fixe.

<ul style="list-style-type: none"> <li>B150EP45/2 (2mt)</li> <li>B150EP45/3 (3mt)</li> <li>B150EP45/4 (4mt)</li> <li>B150EP45/6 (6mt)</li> </ul> <b>OPTIONAL</b>	<ul style="list-style-type: none"> <li>B150EP46/2 (2mt)</li> <li>B150EP46/3 (3mt)</li> <li>B150EP46/4 (4mt)</li> <li>B150EP46/6 (6mt)</li> </ul> <b>OPTIONAL</b>
------------------------------------------------------------------------------------------------------------------------------------------------------------------	------------------------------------------------------------------------------------------------------------------------------------------------------------------

**B150EK02/2 ( 2 m )****B150EK02/3 ( 3 m )****B150EK02/3.2 ( 3,2 m )****B150EK02/4 ( 4 m )****B150EK02/6 ( 6 m )**

- B150EP45/2 (2mt)
- B150EP45/3 (3mt)
- B150EP45/4 (4mt)
- B150EP45/6 (6mt)

**OPTIONAL**

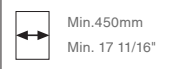
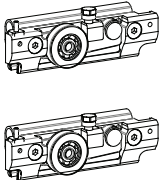
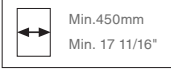
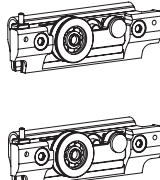
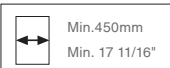
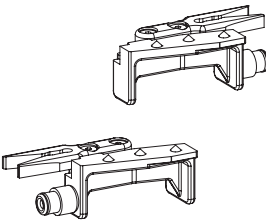
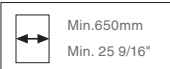
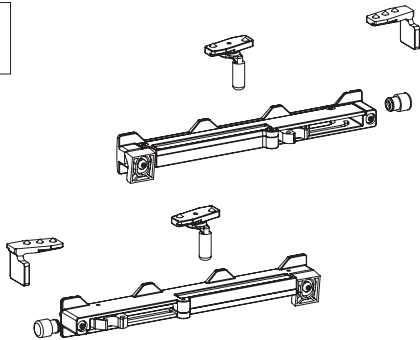
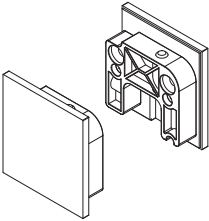
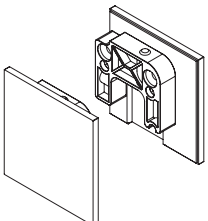
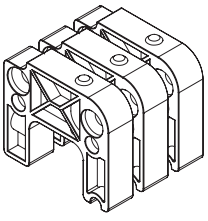
- Profilo binario per scorrevole a falso soffitto e a falso soffitto con vetro fisso
- Perfil corredero para instalación a falso techo, con o sin paño fijo.
- Sliding profile for false ceiling installation, both with and without sidelight.
- Schiebetürprofil für Zwischendeckeneinbau, mit oder ohne seitlichen Glas.
- Profil coulissant de faux-plafond avec ou sans verre fixe.

# FLUIDO+ 70

## KIT PINZE- CLAMPS KIT

**MAX** 70 Kg - 154 lbs

**Porte - Doors**

<p><b>B070EK10</b></p> <div style="border: 1px solid black; padding: 2px; width: fit-content; margin: 0 auto;">  <p>Min.450mm Min. 17 11/16"</p> </div> <ul style="list-style-type: none"> <li>▪ Kit coppia pinze.</li> <li>▪ Kit par de pinzas.</li> <li>▪ Kit with pair of clamps.</li> <li>▪ Bausatz ein Paar Zangen.</li> <li>▪ Kit paire de pinces.</li> </ul> 	<p><b>B070EK05</b></p> <div style="border: 1px solid black; padding: 2px; width: fit-content; margin: 0 auto;">  <p>Min.450mm Min. 17 11/16"</p> </div> <ul style="list-style-type: none"> <li>▪ Kit coppia pinze falso soffitto</li> <li>▪ Kit par de pinzas a cielo falso</li> <li>▪ Kit with pair of clamps on false ceiling.</li> <li>▪ Bausatz ein Paar Zangen an abgehängter Decke.</li> <li>▪ Kit paire de pinces faux-plafond.</li> </ul> 	
<p><b>B150EK3NN</b></p> <div style="border: 1px solid black; padding: 2px; width: fit-content; margin: 0 auto;">  <p>Min.450mm Min. 17 11/16"</p> </div> <ul style="list-style-type: none"> <li>▪ Kit coppia Retainer. Stop meccanico</li> <li>▪ Kit par tope mecánico</li> <li>▪ Kit with pair of mechanical stops</li> <li>▪ Bausatz ein Paar mechanische Stopper</li> <li>▪ Kit paire arrêt mécanique</li> </ul> 		
<p><b>B070EK3SS</b></p> <div style="border: 1px solid black; padding: 2px; width: fit-content; margin: 0 auto;">  <p>Min.650mm Min. 25 9/16"</p> </div> <ul style="list-style-type: none"> <li>▪ Kit coppia Soft Close CPCS</li> <li>▪ Kit par Soft Close CPCS</li> <li>▪ Kit with Soft Close CPCS pair</li> <li>▪ Bausatz ein Paar Soft Close CPCS</li> <li>▪ Kit paire Soft Close CPCS</li> </ul> 		
<p><b>B110EK66</b></p>  <ul style="list-style-type: none"> <li>▪ Coppia di tappi.</li> <li>▪ Par de tapones</li> <li>▪ Pair of caps</li> <li>▪ Paar Kappen</li> <li>▪ Paire de bouchons</li> </ul>	<p><b>B110EK67</b></p>  <ul style="list-style-type: none"> <li>▪ Coppia di tappi per versione con fisso laterale.</li> <li>▪ Par de tapones para versión con cristal fijo lateral</li> <li>▪ Pair of caps for model with side fixed glass</li> <li>▪ Paar Kappen für Version mit festem Seitenglas</li> <li>▪ Paire de bouchons pour version avec vitrage fixe latéral</li> </ul>	<p><b>B150EK68</b></p>  <ul style="list-style-type: none"> <li>▪ Kit spessore per Veletta e supporti laterali - Consigliato per binari oltre i 2,5m</li> <li>▪ Kit cuña para panel y soportes laterales -Aconsejado para perfiles de largo superior a 2,5 m</li> <li>▪ Set spacer for casing and side fittings - Recommended for rails longer than 2,5 m</li> <li>▪ Set Distanzstück für Anlauf und Seitenträger - Empfohlen für Profilen über 2,5 m</li> <li>▪ Kit épaisseur pour panneau et supports latéraux - Recommandé pour les profils de plus de 2,5 m</li> </ul>

## FLUIDO+ 70

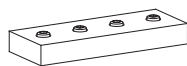
## COMPONENTI- COMPONENTS

MAX 70 Kg - 154 lbs

Porte - Doors

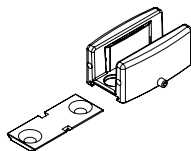
## B150EP48

- Tassello di collegamento - per vetro fisso
- Pieza de unión - para cristal fijo
- Connection insert - for fixed glass
- Verbindungsdübel - für festem Glas
- Tasseau d'assemblage - pour vitrage fixe



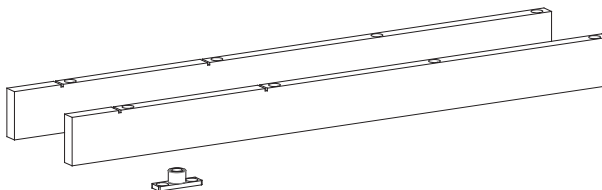
## BF50

- Guida a terra.
- Guía de suelo
- Ground slide
- Bodenführung
- Guide au sol



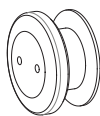
## B150EP85

- Kit accessorio per porte in legno.
- Kit accesorios para puertas de madera.
- Accessory kit for wooden doors.
- Zubehörkit für Holztüren.
- Kit accessoires pour portes en bois.



## BF70

- Borchia per fissaggio barra a vetro.
- Perno de fijación de la barra al cristal
- Boss for securing glass bar
- Senkschraube zur Befestigung der Stange am Glas
- Clou de fixation de la barre à la vitre



## Lunghezza barra

Longitud de la barra  
Bar length  
Profillänge  
Longueur de barre

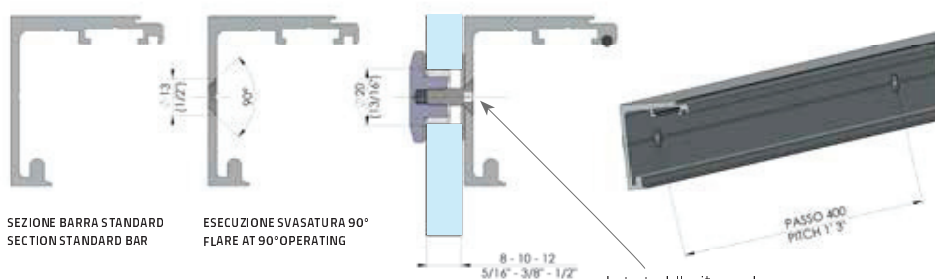
## Quantità borchie

Cantidad tornillos  
Quantity of studs  
Anzahl der Stifte  
Quantité

2 mt	5
3 mt	7
3,2 mt	8
4 mt	10
6 mt	15

## DETTAGLIO FORATURA FISSAGGIO A VETRO - DETAILS DRILLING FOR GLASS FIXING

DETALLE AGUJERO PARA FIJACIÓN A VIDRIO - DETAIL DES BOHRENS FÜR DIE GLASFIXIERUNG - PLAN DE PERÇAGE POUR FIXATION SUR VERRE



SEZIONE BARRA STANDARD  
SECTION STANDARD BAR

ESECUZIONE SVASATURA 90°  
FLARE AT 90° OPERATING

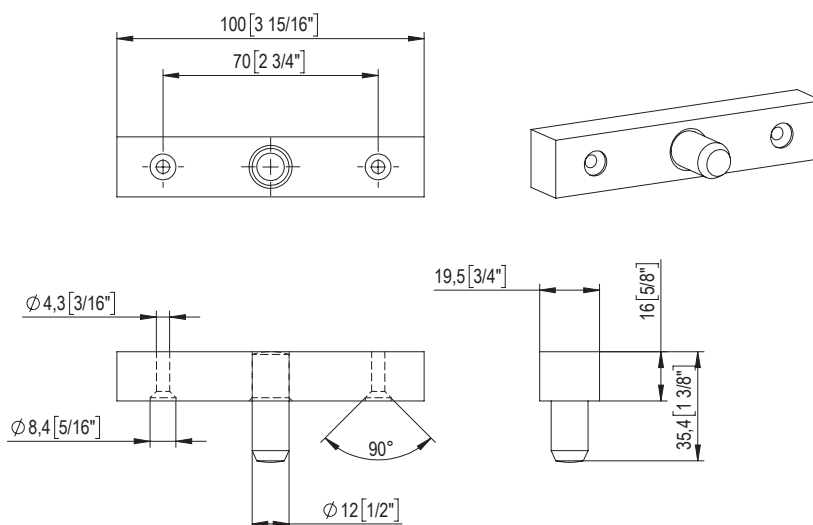
La testa della vite non deve sporgere  
The screw head shall not be protruded



## B150EP27 serie FLUIDO+

 Porte - Doors

- Perno per porte battenti da applicare ad estrusi Fluido+.
- Pernio para puertas batientes, por aplicar a perfiles Fluido+.
- Spindle for swing doors, to be applied to Fluido+ profiles.
- Drehpunkt für Pendeltüren für Fluido+ Profilen.
- Pivot pour portes battantes à appliquer sur profilis Fluido+.



ESEMPIO APPLICAZIONE CON CERNIERA UNICA 101E10 - 100E20

